



PRODUCT SEARCH

140-B-151/04

Re.g.20.874.002

PRODUCTS

COMPANY

CONTACT US

SUPPORT

SITE MAP

PRODUCTS



CROSS-REFERENCE

Screw Connectors for Printed Circuit Boards

TYPE 140-B-151 /-153

5 mm spacing - 4 to 48 poles



Distributor Stock Check

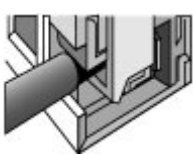
Series	Download PDF	3D Model	Can plug with	How to order	Color specifications	Print
--------	--------------	----------	---------------	--------------	----------------------	-------



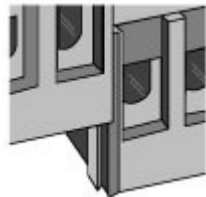
140-B-151 Back row offset to the left



140-B-153 Back row offset to the right



Elevator Style Clamping



Dovetail Interlocking Feature



RoHS WEEE Pb free surface compliant

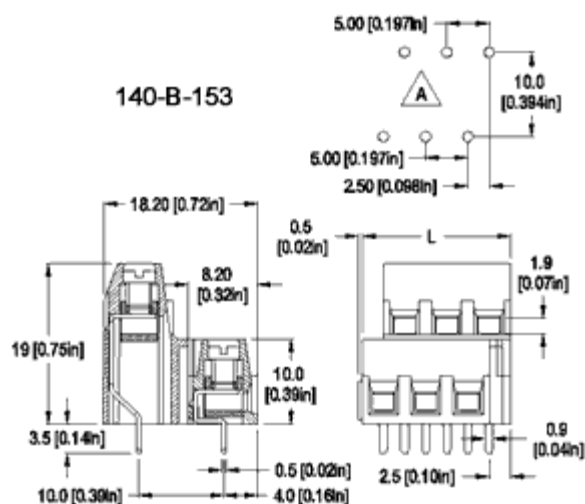
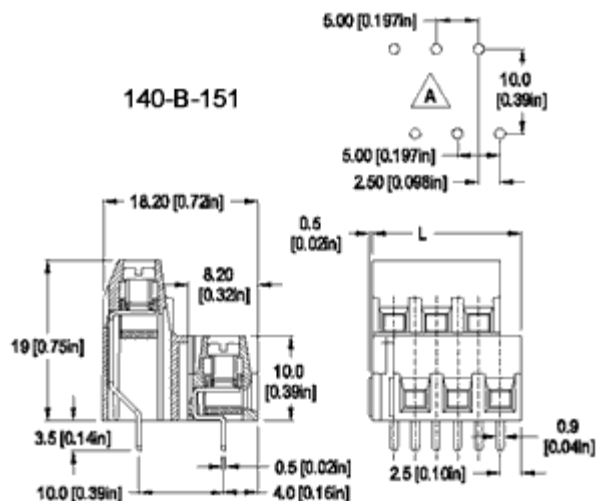
Description

- Dovetail version
- Double level
- Wire entrance parallel to PC Board
- Elevator-style clamping mechanism

- The 4 and 6 poles units can be factory, field or distributor assembled to almost any number of poles.
- 140-B-151: Back row offset to the left.
- 140-B-153: Back row offset to the right.

Technical Data

Center to Center Spacing: 5 mm (0.197 in.)
Nominal Cross Section: 1.5 mm² (2325 mils²)
Wire Stripping Length: 6 mm (0.25 in.)
Recommended Hole Diameter in PC Board: 1.2 mm (0.047 in.)





Dimensions: mm (in.)

Length of Connector (L)
 $L = (\text{No. of Poles} \times \text{Center to Center Spacing} / 2) + 2.5 \text{ mm}$
 (A) PCB hole layout

When locating connector, allow 0.5 mm clearance around it for process-induced variations.

Approval Information

UL File No.E69841 
 CSA File No.LR24322 

Rating	Current(A)	Voltage(V)	Application group	AWG
UL	10	300	B,C,D	30-14
CSA	15	300	B	30-14
CSA	10	150	D,E	30-14

 Top of page

* UL: 20A range for factory wiring only.

Screw Tightening Torque:

UL: 4.5 lbf·in
 CSA: 0.51 Nm

Rated Impulse Withstand Voltage: 2500 V

Material

Molding: Polyamide, self extinguishing UL 94, V-0, color grey

Temperature limits:

Short Time: 140°C (284°F)
Continuous: RTI 105°C (221°F)
Low Limit: -40°C (-40°F)

Comparative Tracking Index: CTI ≥ 600V

Oxygen Index Rating: 33%

Terminal Body: Nickel plated copper alloy

Solder Pin and Pressure Plate: Tin plated copper alloy

Screw: M3, Slotted head, zinc plated blue passivated, steel substrate

Solder Pin: 0.9 mm x 0.5 mm (0.04 in. x 0.02 in.),

How to order

Item — **140-B-151 /-153**

Options

- CN: Consecutive Numbering (hot stamped numbers)
- SM: Special Marking (please provide sketch)
- BS: Copper Alloy Screw
- G05: Gold Plating (5 micro inches)
- G30: Gold Plating (30 micro inches)
- S30: Silver Plating (30 micro inches)

Note: Plated components: solder pin and pressure plate

Ordering Note: To order factory assembled specify the number of poles required.

- Request sample**
- Request quote**

Quantity | 1 |

Accessories

[BST Self Adhesive Marking Strips. Consecutively numbered. Jumper, Type 970-J1.](#)

140-B-15

BACK ROW OFFSET:
left: 1 right: 3

POLES:
04 to 48

/

Add to shopping cart