



PRODUCT SEARCH

121-M-221/07

R e.g.20.874.002

PRODUCTS

COMPANY

CONTACT US

SUPPORT

SITE MAP

PRODUCTS



CROSS-REFERENCE

Plug-in Screw Connector System for Printed Circuit Boards

TYPE 121-M-121 /-221

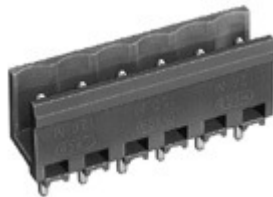
0.2 in. spacing - 2 to 24 poles



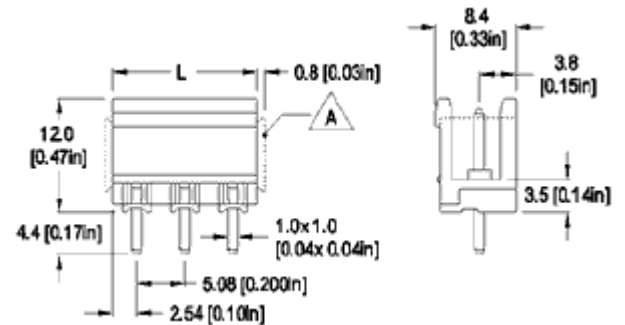
Distributor Stock Check



Series	Download PDF	3D Model	Can plug with	How to order	Color specifications	Print
--------	--------------	----------	---------------	--------------	----------------------	-------



121-M-121



Dimensions: mm (in.)

Length of Connector (L)  
 L = No. of Poles x Center to Center Spacing  
 (A) Side walls for 121-M-221 only

When locating connector, allow 0.5 mm clearance around it for process-induced variations.

Approval Information

UL File No.E69841

CSA File No.LR24322

Rating	Current(A)	Voltage(V)	Application group	AWG
UL	15	300	B	
UL	10	300	D	
CSA	15	300	B	
CSA	10	300	D,E	

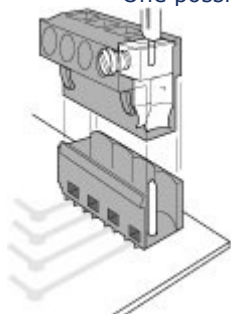
International Approvals:



Rated Impulse Withstand Voltage: 2500 V

Material

One possible variation of assembly



RoHS WEEE Pb free surface compliant

Description

- Header
- Plug-In Direction and Wire Entrance Perpendicular to PCB when plugged with **121-A-111**
- Plug-In Direction Perpendicular to PCB and Wire Entrance 45° to PCB when plugged with **121-C-111**
- Plug-In Direction Perpendicular to PCB and Wire Entrance Parallel to PCB when plugged with **121-D-111, 121-D-121**

**Molding:** Polyamide, self extinguishing UL 94, V-0, color grey  
**Temperature limits:**  
**Short Time:** 140°C (284°F)  
**Continuous:** RTI 105°C (221°F)  
**Low Limit:** -40°C (-40°F)  
**Comparative Tracking Index:** CTI ≥ 600V  
**Oxygen Index Rating:** 33%

**Solder Pin:** 1 x 1 mm (0.04 x 0.04 in.), Tin plated copper alloy

**Technical Data**

**Center to Center Spacing:** 5.08 mm (0.200 in.)  
**Recommended Hole Diameter in PC Board:** 1.4 mm (0.055 in.)

**Illustration**



Coding keys **120-K** are available to prevent the insertion of the wrong plug into a header. These are usually field inserted but can be factory installed if required.

▲  
Top of page

**How to order**

**Item** — **121-M-121 /-221**

- Options**
- CN: Consecutive Numbering (hot stamped numbers)
  - SM: Special Marking (please provide sketch)
  - G05: Gold Plating (5 micro inches)
  - G30: Gold Plating (30 micro inches)
  - S30: Silver Plating (30 micro inches)
  - 14.5MM: Solder Pin length of 14.5 mm

- Request sample**
- Request quote**

Quantity

**Accessories**  
[BST Self Adhesive Marking Strips. Consecutively numbered.](#)

**Note:** Plated component: solder pin

**Ordering Note:** Voltage rating for 0.4 in. spacing is UL certified for 15A - 300 / C and for 5A - 600 / D and CSA certified for 600 / D,E (121-M-122 /-222).

<b>121-M-</b>	SIDEWALLS: without: 1 with: 2	21/	POLES: 02 to 24
	<input type="text"/>		<input type="text"/>

**Add to shopping cart**