

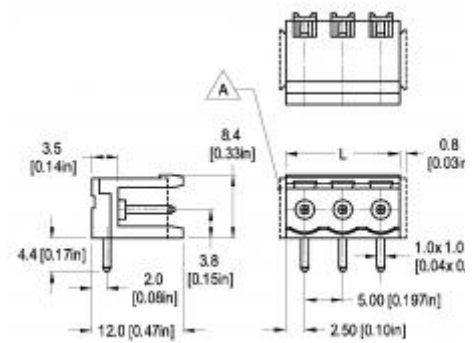


PLUG-IN SCREW CONNECTOR SYSTEM FOR PRINTED CIRCUIT BOARDS

120-M-111 /-211

5.00 mm (0.197 in) Spacing - 2 - 24 poles

[Print this page](#)



ZOOM

Dimensions: mm (in.)

Length of Connector (L)

L = No. of Poles x Center to Center Spacing

(A) Side walls for 120-M-211 only

[distributor stock check](#)

[additional photos](#)

[view 3d model](#)

When locating connector, allow 0.5 mm clearance around it for process-induced variations.

TECHNICAL INFORMATION

APPROVAL INFORMATION

PLUGS WITH

HOW TO C

Description

Header

Coding keys 120-K are available to prevent the insertion of the wrong plug into a header. These are usually field inserted but can be factory installed if required.

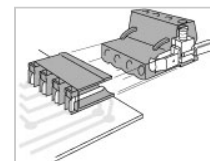
Technical Data

Center to Center Spacing: 5 mm (0.197 in)

Recommended Hole Diameter in PC Board: 1.4 mm (0.055 in.)

Visual Description

Typical Application



RoHS WEEE Pb free surface coi

Bill of Materials

Molding : Polyamide, self extinguishing UL 94, V-0

Color : grey

Temperature limits : Short Time : 140 °C (284 °F)
Continuous : RTI 105 °C (221 °F)
Low Limit : -40 °C (-40 °F)

Comparative Tracking Index : CTI ≥ 600 V



Oxygen Index Rating : 33%

Solder Pin: 1 x 1 mm (0.04 x 0.04 in.) Tin plated copper alloy





Approval Information

UL File No. [E69841](#) | CSA File No. [LR24322](#)

	TYPE (Spacing)	Current (A)	Voltage (V)	Application Group	AWG	Screw Tighten Torque
	120-M-111 /-211	15	300	B		
	5.0 mm	10	300	D		
	120-M-111 /-211	15	300	B		
	5.0 mm	10	300	D, E		

Alternative Approval Information

UL File No. [E69841](#) | CSA File No. [LR24322](#)

	TYPE (Spacing)	Current (A)	Voltage (V)	Application Group	AWG	Screw Tighten Torque
	120-M-112 /-212	15	300	C		
	10.0 mm	5	600	D		
	120-M-112 /-212		600	D, E		
	10.0 mm					

International Approval Information



Rated Impulse Withstand Voltage : 2500 V

Plug-In Direction and Wire Entrance Parallel to PCB



TYPE 120-A-111
5.00 mm spacing - 2 - 24 poles

Plug-In Direction Parallel to PCB and Wire Entrance Perpendicular to PCB



TYPE 120-D-111
5.00 mm spacing - 2 - 24 poles



TYPE 120-D-121
5.00 mm spacing - 2 - 24 poles

Please fill in the How to Order box

- Request Sample Quantity
- Request Quote Quantity

120-M

Sidewalls:

Select one

Spacing:

Select one

Poles:

Select one

OPTIONS:

- 18.5MM: Solder Pin length of 18.5 mm
- CN: Consecutive Numbering (hot stamped nu
- G05:;ld Plating (5 micro inches)
- G30:;ld Plating (30 micro inches)
- S30: Silver Plating (30 micro inches)
- SM: Special Marking (please provide sketch)

Accessories

BST Self Adhesive Marking Strips. Consecutively numbered.

Notes

Plated component: solder pin

Ordering Notes

Voltage rating for 10 mm spacing is UL certified for 15A - 300V / C and for 5A - 600V / D and CSA certified for 600 / D,E (120-M-112 /-212).

ADD TO CART