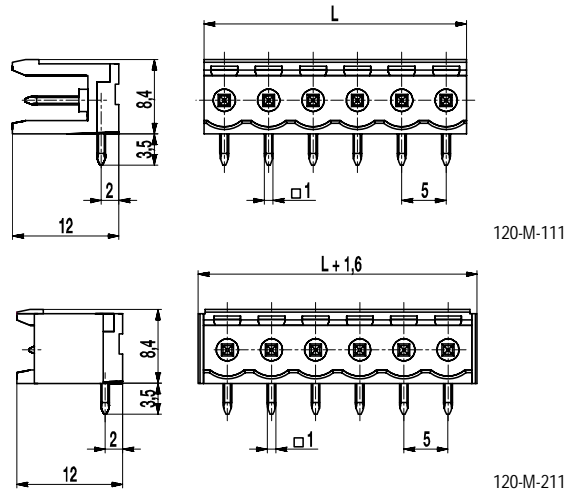
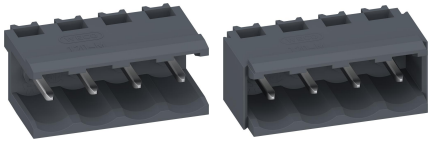


# 120-M-111/-211

Pin strip  
Plug-in direction parallel to PCB



## GENERAL INFORMATION

|                        |  |
|------------------------|--|
| Pitch                  | 5 mm   |
| No. of poles           | 2 - 12   |
| Usable with            | all plug connectors of series 120  |
| Additional Information | Ordering information:<br>...-M-111: without side walls, not pottable<br>...-M-211: with side walls, pottable |

## TECHNICAL DATA

|                          |                          |       |       |
|--------------------------|--------------------------|-------|-------|
| Overvoltage Category     | III                      | III   | II    |
| Pollution Severity Level | 3                        | 2     | 2     |
| Rated Voltage            | 250 V                    | 320 V | 630 V |
| Rated Impulse Voltage    | 4 kV                     | 4 kV  | 4 kV  |
| Rated Insulation Voltage | 250 V acc. to EN 60998-1 |       |       |
| Rated Current            | 12 A                     |       |       |
| Hole in PCB              | ø 1,4 mm                 |       |       |

## APPROVALS

|  | Current [A] | Voltage [V] | Group | AWG | [Nm] |
|--|-------------|-------------|-------|-----|------|
|  | 15          | 300         | B     |     |      |
|  | 10          | 300         | D     |     |      |
|  | 15          | 300         | B     |     |      |
|  | 10          | 300         | D, E  |     |      |
|  |             |             |       |     |      |

## MATERIAL

|                            |                                |
|----------------------------|--------------------------------|
| Moulding                   | PA, grey, V-0                  |
| Comparative Tracking Index | CTI ≥ 600                      |
| Insulating Group           | I                              |
| Temperature Range          | -40°C up to 100°C              |
| Solder pin                 | 1,0 x 1,0 mm; tin plated brass |

## OPTIONS / ACCESSORIES

- Consecutive numbering
- Special marking according to drawing
- Self-adhesive marking strip BST-5,00
- Pitch of 10 mm for larger clearance and creepage distances
- Other solder pin lengths on request
- Coding elements 120-K
- Connectors equipped with coding elements on request
- Special version with fastening flanges 120-M-217

## CONFIGURATIONS

| Poles | Item         | Article number | Item         | Article number | Length (L) | Packaging | PU  |
|-------|--------------|----------------|--------------|----------------|------------|-----------|-----|
| 2     | 120-M-111/02 | 10.806.002     | 120-M-211/02 | 10.806.026     | 10,00 mm   | Box       | 200 |
| 3     | 120-M-111/03 | 10.806.003     | 120-M-211/03 | 10.806.027     | 15,00 mm   | Box       | 200 |
| 4     | 120-M-111/04 | 10.806.004     | 120-M-211/04 | 10.806.028     | 20,00 mm   | Box       | 100 |
| 5     | 120-M-111/05 | 10.806.005     | 120-M-211/05 | 10.806.029     | 25,00 mm   | Box       | 100 |
| 6     | 120-M-111/06 | 10.806.006     | 120-M-211/06 | 10.806.030     | 30,00 mm   | Box       | 100 |
| 7     | 120-M-111/07 | 10.806.007     | 120-M-211/07 | 10.806.031     | 35,00 mm   | Box       | 50  |
| 8     | 120-M-111/08 | 10.806.008     | 120-M-211/08 | 10.806.032     | 40,00 mm   | Box       | 50  |
| 9     | 120-M-111/09 | 10.806.009     | 120-M-211/09 | 10.806.033     | 45,00 mm   | Box       | 50  |
| 10    | 120-M-111/10 | 10.806.010     | 120-M-211/10 | 10.806.034     | 50,00 mm   | Box       | 50  |
| 11    | 120-M-111/11 | 10.806.011     | 120-M-211/11 | 10.806.035     | 55,00 mm   | Box       | 50  |
| 12    | 120-M-111/12 | 10.806.012     | 120-M-211/12 | 10.806.036     | 60,00 mm   | Box       | 50  |

further number of poles on request

