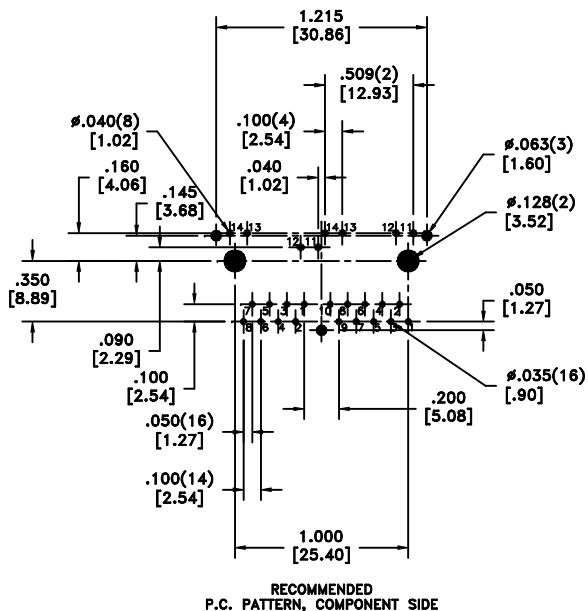
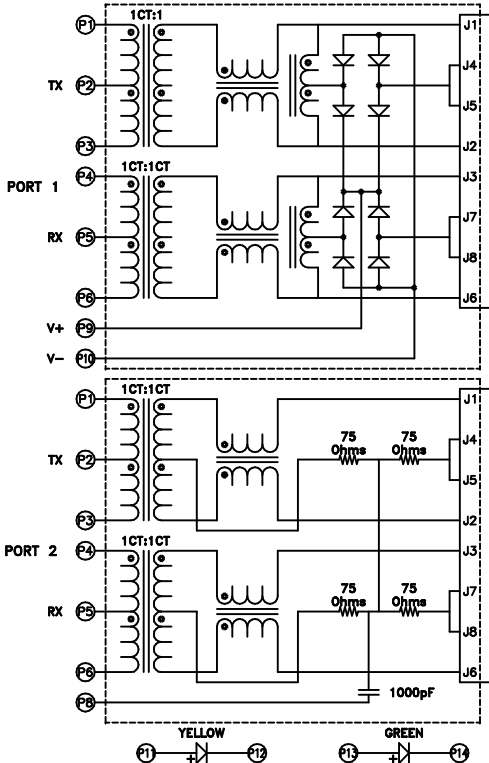
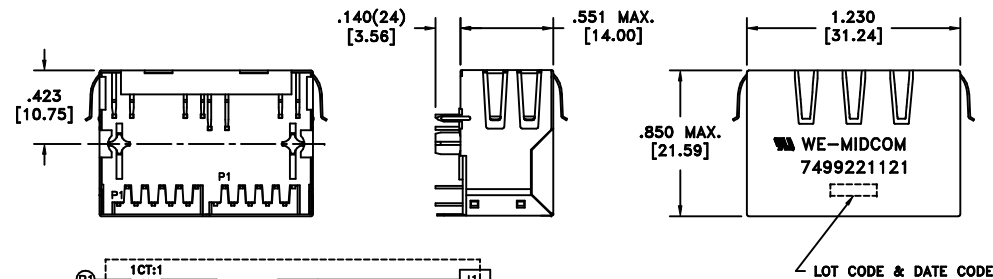
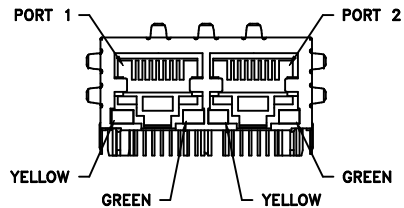


CUSTOMER TERMINAL	RoHS	LEAD(Pb)-FREE
Sn100%	Yes	Yes



ELECTRICAL SPECIFICATIONS @ 25°C unless otherwise noted:

PARAMETER	TEST CONDITIONS	VALUE	
INDUCTANCE	J1-J2	100kHz, 100mVAC, 8mADC, Lp	350uH min.
INDUCTANCE	J3-J6	100kHz, 100mVAC, 8mADC, Lp	350uH min.
DIELECTRIC	P1-J1	tie(P2+P5, J2+J3)	1500Vrms, 1 minute
TURNS RATIO		(P1-P3):(J1-J2)	1:1, ±2%
TURNS RATIO		(P4-P6):(J3-J6)	1:1, ±2%
INSERTION LOSS		1M - 100MHz	-1.0dB max.
RETURN LOSS		1M - 30MHz	-18dB min.
RETURN LOSS		30M - 45MHz	-16dB min.
RETURN LOSS		45M - 60MHz	-14dB min.
RETURN LOSS		60M - 80MHz	-12dB min.
CROSSTALK		1M - 100MHz	-35dB min.
COMMON MODE REJECTION		1M - 100MHz	-35dB min.

GENERAL SPECIFICATIONS:

OPERATING TEMPERATURE RANGE: -40°C to +85°C.

Designed to handle 350mADC and meet 802.3af (Port 1).

MATERIAL AND FINISH:

Housing: Thermoplastic Black per UL 94-V0
 Shield: Brass with semi-bright nickel plating
 Contact: Phosphor Bronze, base material
 Contact Plating: 100% tin plating with nickel underplating, 30u" gold plating on contact area

LED (Yellow): Frwd Voltage typ.: 2.1V
 Drive Current: 20mA
 Wave Length: 589nm typ.
 LED (Green): Frwd Voltage typ.: 2.2V
 Drive Current: 20mA
 Wave Length: 565nm typ.

RJ45 Jack cavity conforms to FCC rules and regulations Part 68.

REV.	DATE
6A	4/09

Packaging Specifications
 Method: Tray
 PKG-0588
 www.midcom-inc.com

Unless otherwise specified:
 Tolerances: Fractions: ±1/64
 Angles: ±1° Decimals: ±.005[.127]
 This drawing is dual dimensioned. Dimensions in brackets are in millimeters.

DRAWING TITLE
TRANSFORMER
 10/100mbs
 eiSos p/n: 7499221121



PART NO.
7499221121

AGENCY NUMBER	
UL60950-1	E205930