

SOLDER SUFFIX	CUSTOMER TERMINAL	RoHS	LEAD(Pb)-FREE
LF3	Sn100%	Yes	Yes



ELECTRICAL SPECIFICATIONS @ 25°C unless otherwise noted:

INDUCTANCE: 350uH min., 100kHz, 100mV, 8mA DC, J1-J2; J3-J6, Lp.

Ⓢ DIELECTRIC RATING: 1500Vrms for 1 minute, between primary and secondary.

URNS RATIO/POLARITY: (P1-P2):(J1-J2) = 1:1, ±2%.
(P3-P6):(J3-J6) = 1:1, ±2%.

INSERTION LOSS: -1.0dB typ., 1MHz - 65MHz.

RETURN LOSS: -18dB min., 1M - 30MHz.
-16dB min., 30M - 45MHz.
-14dB min., 45M - 60MHz.
-12dB min., 60M - 80MHz.

CROSSTALK: -35dB min., 1MHz - 100MHz.

COMMON MODE REJECTION: -35dB min., 1MHz - 100MHz.

OPERATING TEMPERATURE RANGE: 0°C to +70°C.

Ⓢ MATERIAL AND FINISH:

Housing: Thermoplastic PBT, Black per UL94 V-0

Shield: Brass with semi-bright nickel plating

Contact: Phosphor Bronze, base material

Contact Plating: 100% tin plating with nickel underplating, 15u" gold plating on contact area

LED (Yellow): Frwd Voltage typ.: 2.1V

Drive Current: 20mA

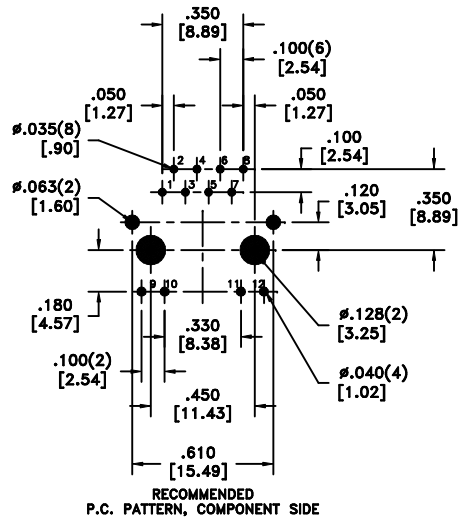
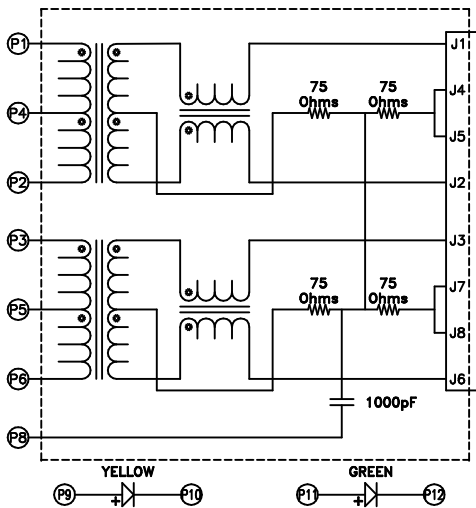
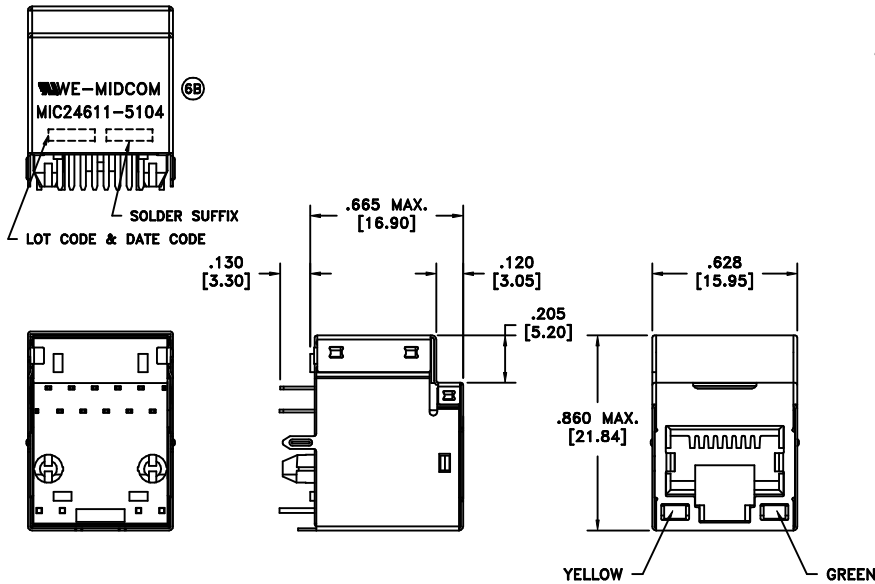
Wave Length: 589nm typ.

LED (Green): Frwd Voltage typ.: 2.2V

Drive Current: 20mA

Wave Length: 565nm typ.

RJ45 Jack cavity conforms to FCC rules and regulations Part 68.



REV.	DATE
PR6D	6/10
6C	7/09
6B	11/06
6A	8/06

Packaging Specifications
Method: Tube
PKG-0583
www.midcom-inc.com

Tolerances unless otherwise specified:
Angles: ±1° Decimals: ±.010 [.25]
Fractions: ±1/64 Footprint: ±.003 [.08]
This drawing is dual dimensioned. Dimensions in brackets are in millimeters.

DRAWING TITLE
TRANSFORMER
10/100Mbps
eiSos p/n: 7499010122



REVISIONS: SEE SHEET 1

DRAWING NO.
MIC24611-5104T-LF3

SCALE ---

AGENCY NUMBER
UL60950-1 E205930

SHEET 2 OF 6