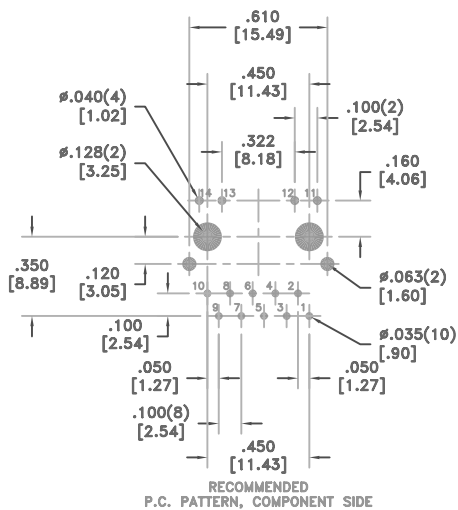
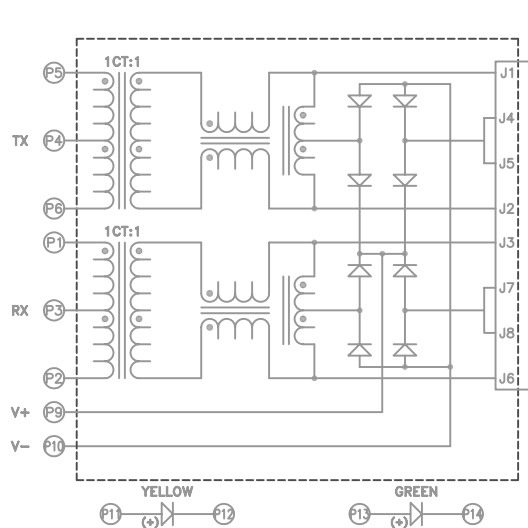
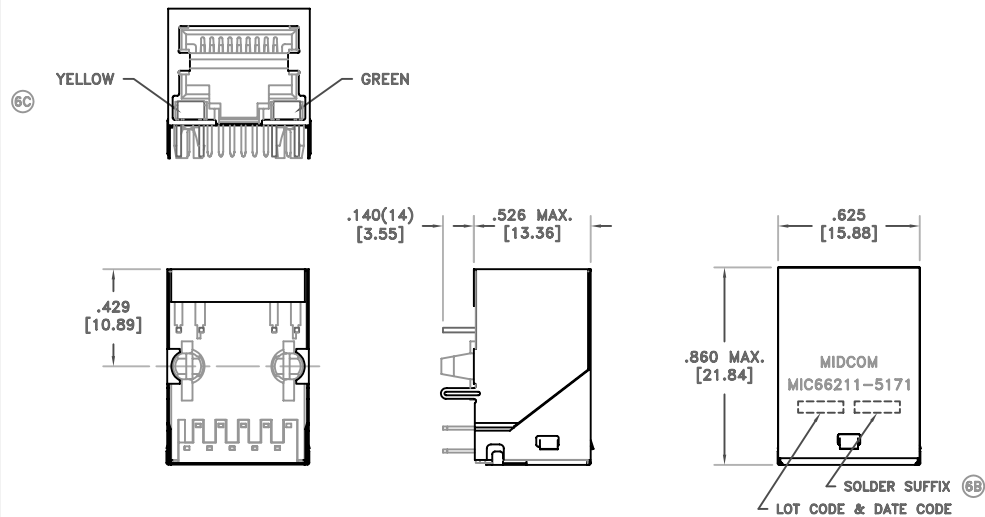


SOLDER SUFFIX	CUSTOMER TERMINAL	RoHS	LEAD(Pb)-FREE	6B
LF3	Sn100%	Yes	Yes	



**ELECTRICAL SPECIFICATIONS @ 25°C unless otherwise noted:**

- INDUCTANCE: 350uH min., 100kHz, 100mV, 8mADC, J1-J2; J3-J6, Lp.
- DIELECTRIC RATING: 1500Vrms for 1 minute between P1-J1(tie P2+P5, J2+J3).
- URNS RATIO/POLARITY: (P1-P2):(J3-J6) = 1:1, ±2%.  
(P5-P6):(J1-J2) = 1:1, ±2%.
- INSERTION LOSS: -1.0dB max., 1MHz - 100MHz.
- RETURN LOSS: -18dB min., 1M - 30MHz.  
-16dB min., 30M - 45MHz.  
-14dB min., 45M - 60MHz.  
-12dB min., 60M - 80MHz.
- CROSSTALK: -35dB min., 1MHz - 100MHz.
- COMMON MODE REJECTION: -35dB min., 1MHz - 100MHz.
- OPERATING TEMPERATURE RANGE: -40°C to +85°C.

6B Designed to handle 350mADC and meet 802.3af.

Midcom, Inc.  
Watertown, SD USA  
Toll Free: 800-643-2661  
Fax: 605-886-4486

Unless otherwise specified:  
Tolerances: Fractions: ±1/64  
Angles: ±1° Decimals: ±.010 [0.25]  
This drawing is dual dimensioned. Dimensions in brackets are in millimeters.

DRAWING TITLE  
**TRANSFORMER**  
749 921 012 1

Midcom

REVISIONS: SEE SHEET 1

DRAWING NO.  
**MIC66211-5171T-LF3**

SCALE ---

SHEET 2 OF 6

6C  
AGENCY NUMBER  
UL 60950-1 E209930

REV.  
6C  
8/06