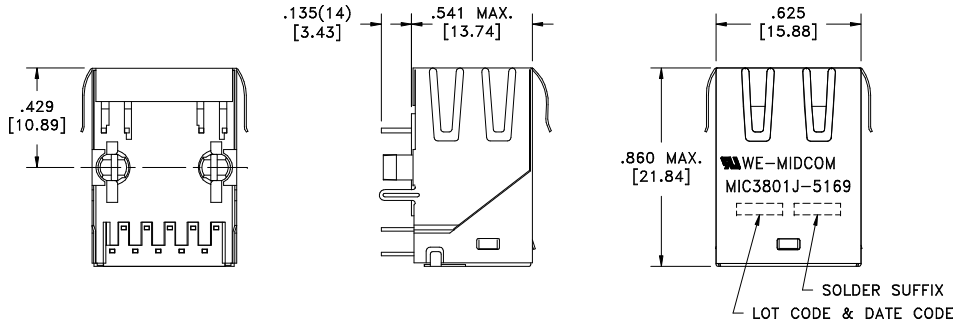
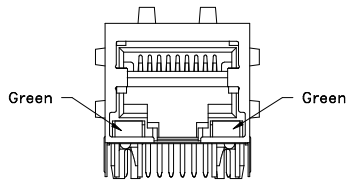
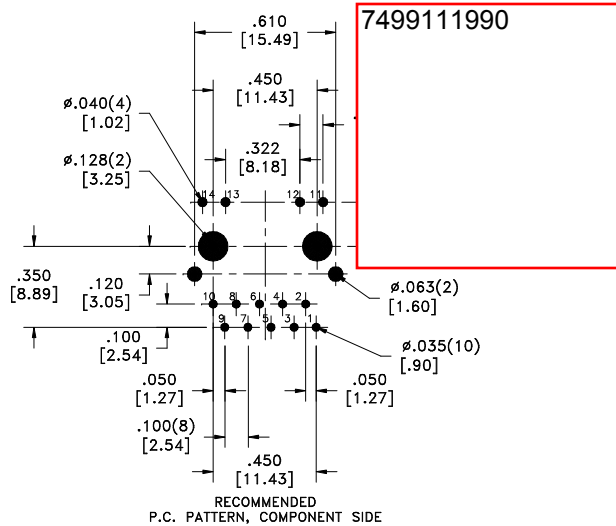
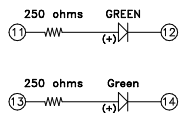
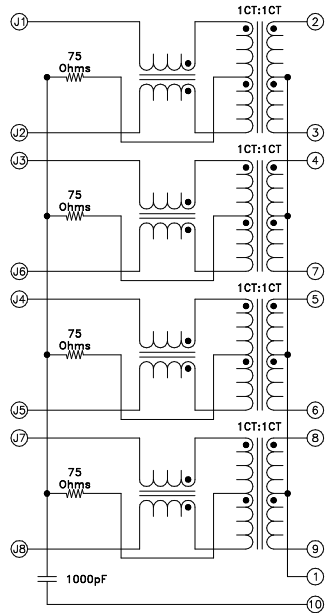


SOLDER SUFFIX	CUSTOMER TERMINAL	RoHS	LEAD(Pb)-FREE
LF3	Sn100%	Yes	No



ELECTRICAL SPECIFICATIONS @ 25°C unless otherwise noted:

- INDUCTANCE: 350uH min., 100kHz, 100mV, 8mADC, J1-J2; J3-J6; J4-J5; J7-J8, Lp.
- DIELECTRIC RATING: 1500Vrms for 1 minute between P1-J1.
- URNS RATIO/POLARITY: Per schematic.
- INSERTION LOSS: -1.0dB max., 1M - 100MHz.
- RETURN LOSS: -18dB min., 1M - 40MHz.
-14dB min., 40M - 60MHz.
-12dB min., 60M - 80MHz.
-10dB min., 80M - 100MHz.
- CROSSTALK: -27dB min., 1M - 100MHz.
- COMMON MODE REJECTION: -30dB min., 1M - 100MHz.
- OPERATING TEMPERATURE RANGE: 0°C to +70°C.



REV.	DATE
6B	9/09
6A	7/07

Packaging Specifications
 Method: Tray
 PKG-0709
 www.midcom-inc.com

Unless otherwise specified:
 Tolerances: Fractions: ±1/64
 Angles: ±1° Decimals: ±0.10[.25mm]
 This drawing is dual dimensioned. Dimensions in brackets are in millimeters.

DRAWING TITLE
TRANSFORMER
 Gigabit
 eiSos p/n: 749911990



DRAWING NO.
MIC3801J-5169T-LF3
 REVISIONS: SEE SHEET 1
 SCALE --- SHEET 2 OF 6

AGENCY NUMBER
UL60950-1 E205930