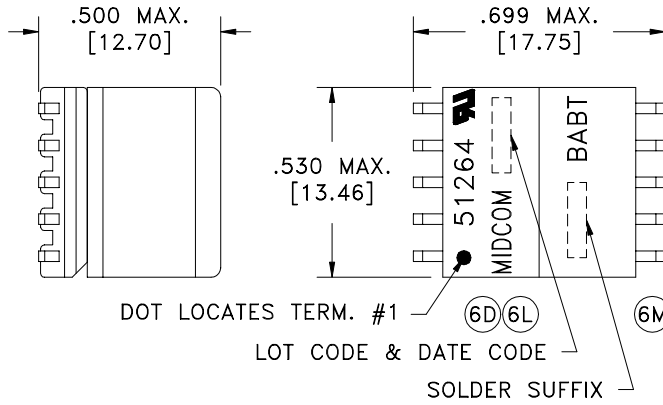
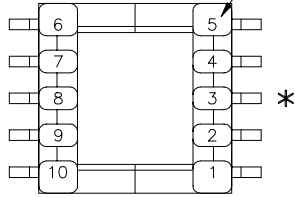


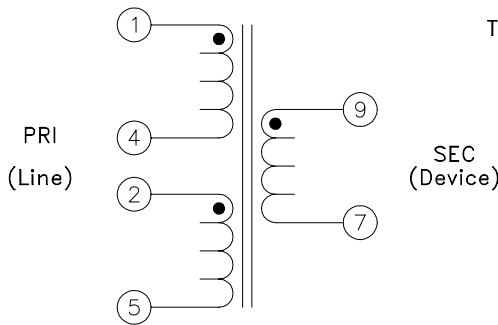
SOLDER SUFFIX	CUSTOMER TERMINAL	RoHS	LEAD(Pb)-FREE
	Sn63%, Pb37%	No	No
LF1	Sn96%, Ag4%	Yes	Yes

* 51264R-A same as 51264R with exception terminal #3 removed. (6J)

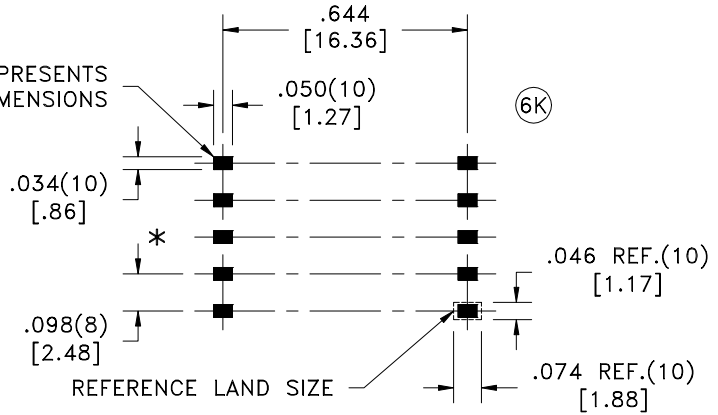
TERM. NO.'s FOR REF. ONLY



DOT LOCATES TERM. #1 (6D)(6L) (6M)
 LOT CODE & DATE CODE
 SOLDER SUFFIX



AREA REPRESENTS TERMINAL PAD DIMENSIONS



CUSTOMER TO DETERMINE LAND LAYOUT

ELECTRICAL SPECIFICATIONS @ 25°C unless otherwise noted:

- IMPEDANCE: Designed to reflect 135 ohms on the PRI with 4.6 ohm load on SEC.
- (6C) LONGITUDINAL BALANCE: 55dB min., 20k - 500kHz, per ITU Method (L->M).
- (6B) D.C. RESISTANCE (@20°C):
 1-4, 1.45 ohms ±10%.
 2-5, 1.45 ohms ±10%.
 9-7, 0.280 ohms ±10%.
- FREQUENCY RESPONSE: ±0.8dB, 15k - 600kHz, 100kHz ref.
- (6B) INSERTION LOSS: 0.5dB max., 100kHz, 4.6 ohm load.
- (6B) DIELECTRIC RATING:
 2000VAC, 1 minute tested by applying 2050VAC for 1 second between 1-9(tie 2+4).
 600VAC, 1 minute tested by applying 850VDC for 1 second between 1-2.
- INDUCTANCE: 3mH ±6%, 10kHz, 100mVAC, 0/100mADC, 1-5(tie 2+4), Ls. (6D)
- (6B) LEAKAGE INDUCTANCE: 15uH max., 100kHz, 100mVAC, 1-5(tie 2+4, 9+7), Ls.
- URNS RATIO: (1-5):(9-7) = 5.4:1, tie(2+4), ±2%.
- TOTAL HARMONIC DISTORTION: -75dB max., 5kHz, 2Vrms across PRI, 4.6 ohm load, 135 ohm input, tie(2+4).
- (6B) INTERWINDING CAPACITANCE: 80pF max., 10kHz, 1.0VAC, 1-9(tie 2+4), Cs.
- OPERATING TEMPERATURE RANGE: -40°C to +85°C.
- (6D) Designed to comply with the following requirements as defined by IEC60950, EN60950, UL60950/CSA60950 and AS/NZS60950:
 - Supplementary insulation for a primary circuit at a working voltage of 250Vrms.
 - Reinforced insulation for a secondary circuit at a working voltage of 150VDC.

AGENCY NUMBER	
BABT	NC/011325
UL 60950	E205930
CSA 60950 (Via CUL)	E205930
IEC 60950	*NO 29933
ACA/AUSTEL	*NO 29933
JAPAN	*NO 29933
*DEMONSTRATES TO COMPLY VIA NEMKO TEST REPORT.	

DETAILS SUBJECT TO CHANGE

Midcom, Inc.
 Watertown, SD USA
 Toll Free: 800-643-2661
 Fax: 605-886-4486

Unless otherwise specified:
 Tolerances: Fractions: ±1/64
 Angles: ±1° Decimals: ±.005[.13]

DRAWING TITLE
TRANSFORMER

REVISIONS: SEE SHEET 1

Midcom

DRAWING NO. (6M) **51264R/-LF1** (6F) (6J) REV. 6M 5/05
51264R-A

SCALE --- (6M) SHEET 2 OF 6

This drawing is dual dimensioned.
 Dimensions in brackets are in millimeters.

DWG # 51264R/-A/-LF1