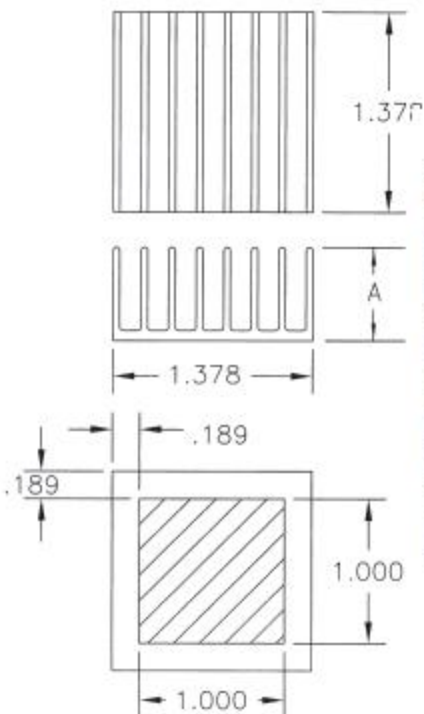


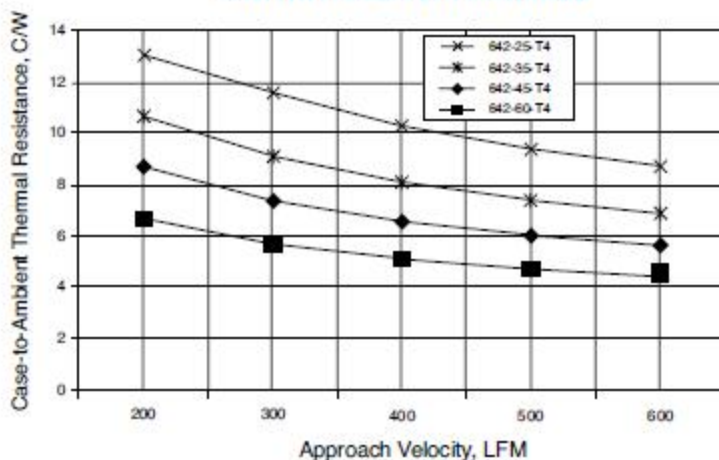
| | | | | |
|----------|------------|-------------|-----------|--------------|
| 642-25AB | 1.378 (35) | .250 (6.4) | 35 mm BGA | .022 (9.99) |
| 642-35AB | 1.378 (35) | .350 (8.9) | 35 mm BGA | .027 (12.26) |
| 642-45AB | 1.378 (35) | .450 (11.4) | 35 mm BGA | .031 (14.07) |
| 642-60AB | 1.378 (35) | .600 (15.2) | 35 mm BGA | .039 (17.71) |

MECHANICAL DIMENSIONS

642 SERIES



642 THERMAL PERFORMANCE



Performance shown is with T4 thermal adhesive applied.