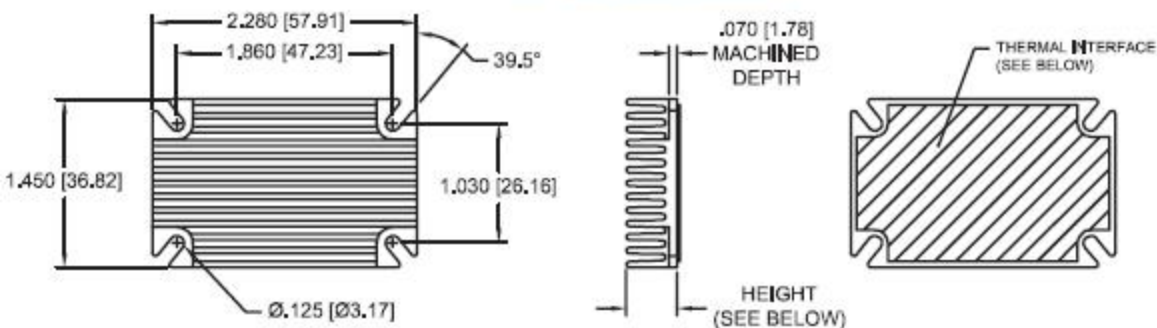


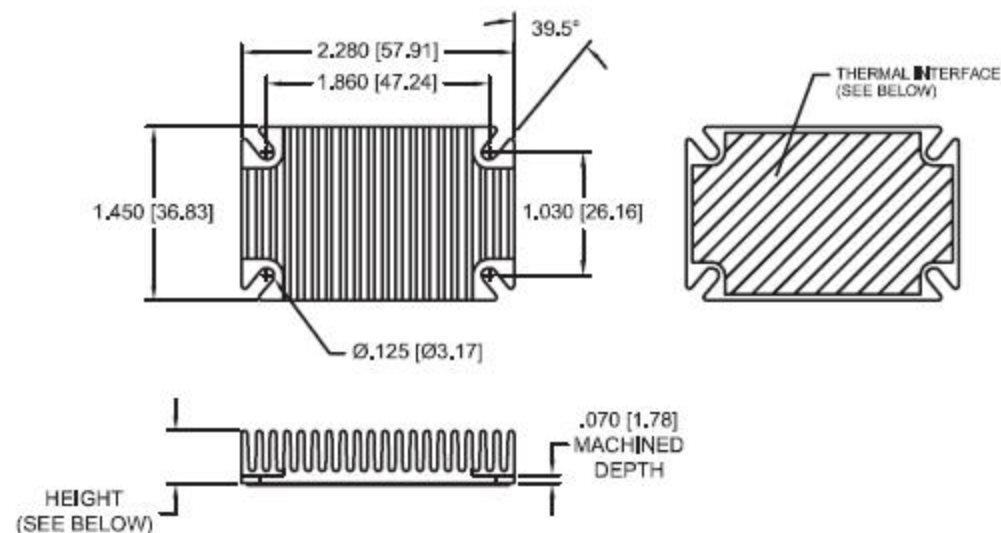
Standard P/N	Footprint Dimensions in. (mm)	Height in. (mm)	Fin Orientation	Number of Fins	Forced Convection Thermal Resistance at 300 ft/min (C/W)
537-95AB	2.28 (57.9) x 1.45 (36.8)	0.95 (24.1)	Horizontal	8	2.1
537-45AB	2.28 (57.9) x 1.45 (36.8)	0.45 (11.4)	Horizontal	13	2.3
537-24AB	2.28 (57.9) x 1.45 (36.8)	0.24 (6.1)	Horizontal	14	4.2
547-95AB	1.45 (36.8) x 2.28 (57.9)	0.95 (24.1)	Vertical	11	2.2
547-45AB	1.45 (36.8) x 2.28 (57.9)	0.45 (11.4)	Vertical	20	2.1
547-24AB	1.45 (36.8) x 2.28 (57.9)	0.24 (6.1)	Vertical	22	3.5

MECHANICAL DIMENSIONS 537 & 547 SERIES

537 SERIES DIMENSIONS



547 SERIES DIMENSIONS



PRODUCT DESIGNATION

SERIES 537 - 95 - A3 - MS4

SERIES NUMBER

THERMAL INTERFACE TYPE

S4 = DELTALINK IV
BLANK = NO THERMAL PAD

HEIGHT

24 = .24"
45 = .45"
95 = .95"

HARDWARE KIT

	QTY
M = M3 X 6mm PHILLIPS HD SEM SCREW, WITH CAPTIVE WASHER	4
H = 4-40 X 5/16" PHILLIPS HD SEM SCREW, WITH CAPTIVE WASHER	4
BLANK = NO FASTENER OPTION	0

MATERIAL

A = ALUMINUM

FINISH

E = BLACK ANODIZE