

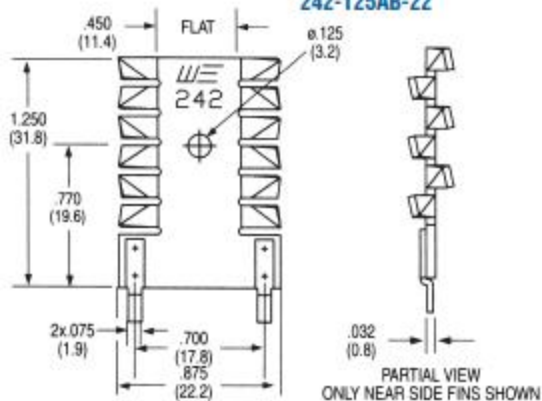


# WAKEFIELD SOLUTIONS Data Sheet

Standard P/N	Height Above PC Board in. (mm)	Footprint Dimensions in. (mm)	Mounting Configuration	Solderable Tab Options	Mounting Style	Thermal Performance at Typical Load Natural Convection	Thermal Performance at Typical Load Forced Convection
242-125ABE-22	1.285 (32.6)	.875 (22.2) x .250 (6.4)	Vertical	22	Mtg Hole	48°C @ 2W	6.2°C/W @ 400 LFM

## MECHANICAL DIMENSIONS 242 SERIES

### 242-125AB-22



## NATURAL AND FORCED CONVECTION CHARACTERISTICS

