

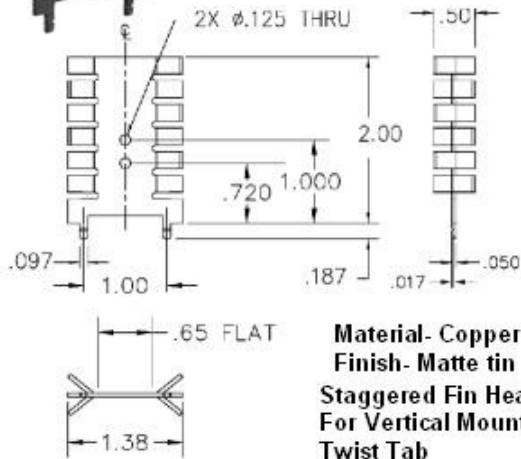
Product Number: 232-200CT



Wakefield Part #232200CTE
Used Commonly for T0-220 Packages

RoHS
Compliant

MECHANICAL DIMENSIONS



NATURAL AND FORCED CONVECTION CHARACTERISTICS

