

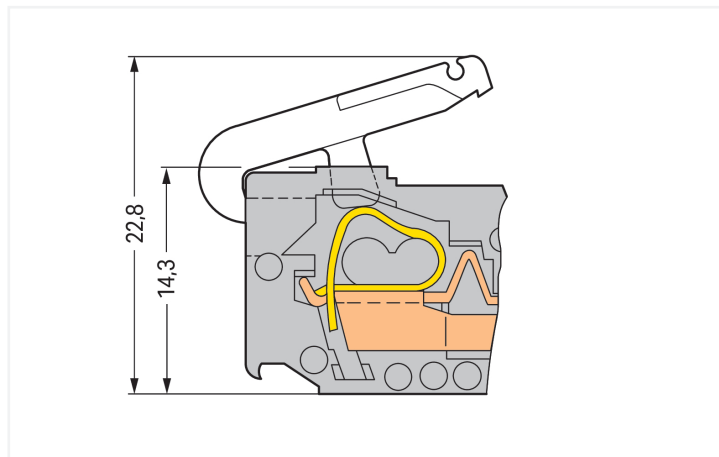
## Data Sheet | Item Number: 231-131

Operating tool; made of insulating material; 1-way; loose; white

<https://www.wago.com/231-131>



Color: ■ white



Dimensions in mm

Operating levers are not suitable for panel-mount, angled female connectors.

### Technical data

Number of spacings	1 -times
--------------------	----------

### Physical data

Depth	20.2 mm / 0.79 inches
Pin spacing	5/7.62 mm

### Mechanical data

Suitable	for male and female connectors with CAGE CLAMP® connection
----------	--

### Material data

Color	white
Material group	I
Insulation material (main housing)	Glass fiber-reinforced polyamide (PA66 GF)
Flammability class per UL94	HB
Fire load	0.01 MJ
Weight	0.3 g

### Commercial data

Product Group	3 (Multi Conn. System)
eCl@ss 10.0	27-14-11-92
eCl@ss 9.0	27-14-11-92
ETIM 8.0	EC002848
ETIM 7.0	EC002848
PU (SPU)	100 (25) pcs
Packaging type	Box
Country of origin	DE
GTIN	4017332283168
Customs tariff number	82055980000

**Environmental Product Compliance**

RoHS Compliance Status	Compliant, No Exemption
------------------------	-------------------------

**Processing temperature (min.)**

Processing temperature (min.)	-35 °C
-------------------------------	--------

Processing temperature (max.)	60 °C
-------------------------------	-------

**Approvals / Certificates**

**General approvals**      **Approvals for marine applications**



Approval	Standard	Certificate Name
CSA DEKRA Certification B.V.	C22.2	1466354

Approval	Standard	Certificate Name
LR Lloyds Register	IEC 61984	96/20035 (E5)

**Downloads**

**Environmental Product Compliance**

<b>Compliance Search</b>
Environmental Product Compliance 231-131

**CAD/CAE-Data**

<b>CAD data</b>
2D/3D Models 231-131

<b>CAE data</b>
ZUKEN Portal 231-131

**Installation Notes**



Inserting a conductor into CAGE CLAMP® unit via operating tool (231-291).