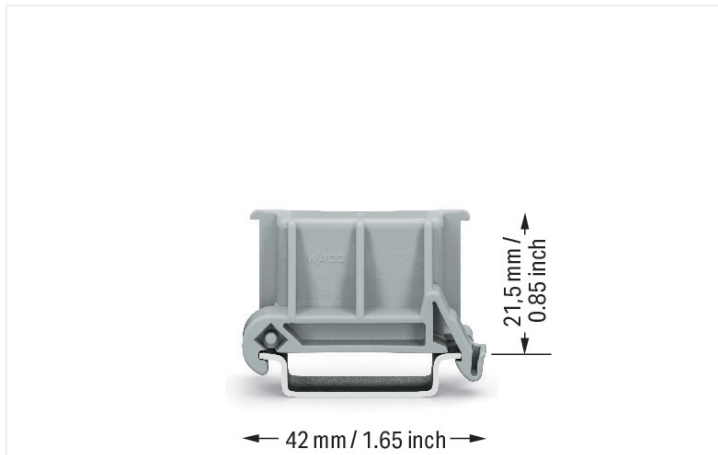


## Data Sheet | Item Number: 222-510

Angled DIN-rail adapter; in combination with mounting carrier; 221-500 or 222-500;  
for DIN-35 rail mounting; gray

<https://www.wago.com/222-510>



Color: ■ gray

### Physical data

Width	18.5 mm / 0.728 inches
Height	41.8 mm / 1.645 inches
Depth from upper-edge of DIN-rail	21.5 mm / 0.846 inches
Depth	26.3 mm / 1.035 inches

### Mechanical data

Mounting type	DIN-35 rail
Suitable	in combination with a mounting carrier (221-500 or 222-500)

### Material data

Note (material data)	<a href="#">Information on material specifications can be found here</a>
Color	gray
Material group	I
Insulation material (main housing)	Polyamide (PA66)
Flammability class per UL94	V0
Fire load	0.117 MJ
Weight	3.9 g

### Commercial data

Product Group	7 (Push Wire Conn.)
eCl@ss 10.0	27-14-11-92
eCl@ss 9.0	27-14-11-92
ETIM 9.0	EC002848
ETIM 8.0	EC002848
PU (SPU)	50 (10) pcs
Packaging type	Box
Country of origin	CN
GTIN	4045454714802
Customs tariff number	39269097900

**Environmental Product Compliance**

RoHS Compliance Status Compliant, No Exemption

**Downloads**

**Environmental Product Compliance**

Compliance Search  
 Environmental Product Compliance 222-510 [↓](#)

**Documentation**

Bid Text			
222-510	19.02.2019	xml 2.75 KB	<a href="#">↓</a>
222-510	19.05.2017	doc 23.50 KB	<a href="#">↓</a>

**CAD/CAE-Data**

CAD data  
 2D/3D Models 222-510 [↓](#)

CAE data  
 EPLAN Data Portal 222-510 [↓](#)  
 WSCAD Universe 222-510 [↓](#)  
 ZUKEN Portal 222-510 [↓](#)

**1 Compatible Products**

**1.1 Optional Accessories**

**1.1.1 Mounting adapter**

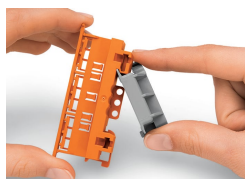
**1.1.1.1 Mounting accessories**



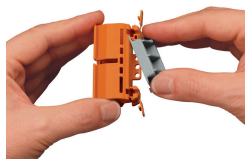
**Item No.: 221-500**  
 Mounting carrier; 221 Series - 4 mm<sup>2</sup>; for DIN-35 rail mounting/screw mounting; orange

**Item No.: 222-500**  
 Mounting carrier; 222 Series; for DIN-35 rail mounting/screw mounting; orange

## Installation Notes



Snapping the angled DIN-rail adapter (222-510) onto the mounting carrier.



Snapping the angled DIN-rail adapter (222-510) onto the mounting carrier.