

## Data Sheet | Item Number: 216-266

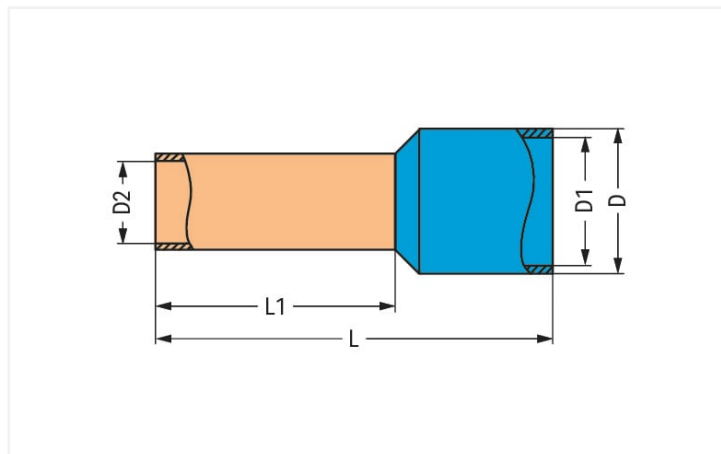
Ferrule; Sleeve for 2.5 mm<sup>2</sup> / AWG 14; insulated; electro-tin plated; electrolytic copper; gastight crimped; acc. to DIN 46228, Part 4/09.90; blue

<https://www.wago.com/216-266>



Color: ■ blue

Similar to illustration



Dimensions in mm

### Technical data

Sleeve cross-section (AWG)	14 AWG
Sleeve for	2.5 mm <sup>2</sup>

### Connection data

Strip length	14 mm / 0.55 inches
--------------	---------------------

### Physical data

Length	19 mm
Crimp length (length of sleeve)	12 mm
Diameter	4.7 mm
Inner Diameter plastic collar	4.2 mm
Diameter crimp sleeve inside	2.2 mm

### Mechanical data

Suitable	2002 to 2006 Series
----------	---------------------

### Material data

Color	blue
Fire load	0.002 MJ
Weight	0.2 g

Commercial data	
Product Group	2 (Terminal Block Accessories)
eCl@ss 10.0	27-40-02-01
eCl@ss 9.0	27-40-02-01
ETIM 9.0	EC000005
ETIM 8.0	EC000005
PU (SPU)	1000 (100) pcs
Packaging type	Box
Country of origin	DE
GTIN	4044918604314
Customs tariff number	85369010000

Environmental Product Compliance	
RoHS Compliance Status	Compliant, No Exemption

**Downloads**

**Environmental Product Compliance**

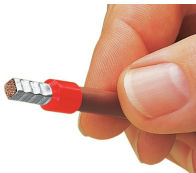
Compliance Search

Environmental Product Compliance 216-266	↓
--	---

**Documentation**

Bid Text			
216-266	19.02.2019	xml 2.80 KB	↓
216-266	11.09.2017	doc 24.00 KB	↓

**Installation Notes**



A perfect gas-tight crimp – both electrical-ly and mechanically reliable