

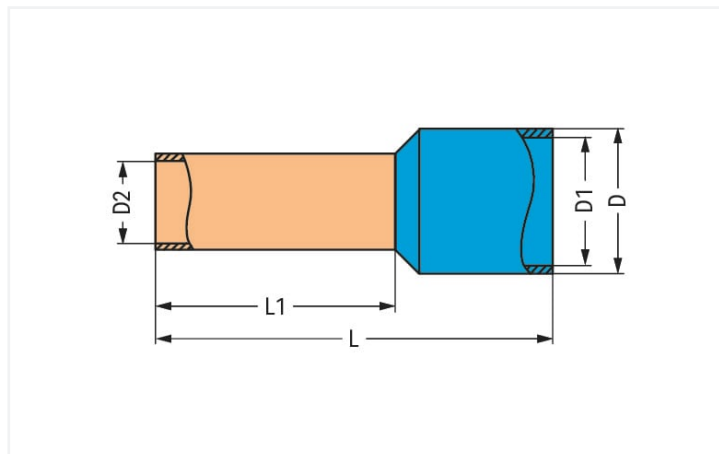
Data Sheet | Item Number: 216-210

Ferrule; Sleeve for 16 mm² / AWG 6; insulated; electro-tin plated; electrolytic copper; gastight crimped; acc. to DIN 46228, Part 4/09.90; blue

<https://www.wago.com/216-210>



Color: ■ blue



Dimensions in mm

Technical data

Sleeve cross-section (AWG)	6 AWG
Sleeve for	16 mm ²

Connection data

Strip length	23 mm / 0.91 inches
--------------	---------------------

Physical data

Length	28 mm
Crimp length (length of sleeve)	18 mm
Diameter	9.6 mm
Inner Diameter plastic collar	8.8 mm
Diameter crimp sleeve inside	5.8 mm

Mechanical data

Suitable	2016 Series
----------	-------------

Material data

Color	blue
Fire load	0.001 MJ
Weight	0.8 g

Commercial data	
Product Group	2 (Terminal Block Accessories)
eCl@ss 10.0	27-40-02-01
eCl@ss 9.0	27-40-02-01
ETIM 9.0	EC000005
ETIM 8.0	EC000005
PU (SPU)	500 (100) pcs
Packaging type	Box
Country of origin	DE
GTIN	4017332277556
Customs tariff number	85369010000

Environmental Product Compliance	
RoHS Compliance Status	Compliant, No Exemption

Downloads

Environmental Product Compliance

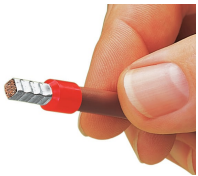
Compliance Search

Environmental Product Compliance 216-210	↓
--	---

Documentation

Bid Text			
216-210	19.02.2019	xml 2.80 KB	↓
216-210	11.09.2017	doc 24.50 KB	↓

Installation Notes



A perfect gas-tight crimp – both electrical-ly and mechanically reliable