

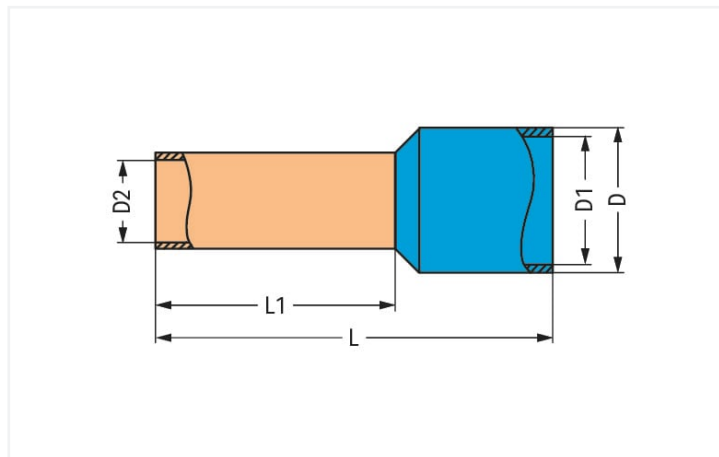
Data Sheet | Item Number: 216-209

Ferrule; Sleeve for 10 mm² / AWG 8; insulated; electro-tin plated; red

<https://www.wago.com/216-209>



Color: ■ red



Dimensions in mm

Technical data

Sleeve cross-section (AWG)	8 AWG
Sleeve for	10 mm ²

Connection data

Strip length	16 mm / 0.63 inches
--------------	---------------------

Physical data

Length	22 mm
Crimp length (length of sleeve)	12 mm
Diameter	8.4 mm
Inner Diameter plastic collar	6 mm
Diameter crimp sleeve inside	4.5 mm

Material data

Color	red
Fire load	0 MJ
Weight	0.5 g

Commercial data

Product Group	2 (Terminal Block Accessories)
eCl@ss 10.0	27-40-02-01
eCl@ss 9.0	27-40-02-01
ETIM 9.0	EC000005
ETIM 8.0	EC000005
PU (SPU)	1000 (100) pcs
Packaging type	Box
Country of origin	DE
GTIN	4017332277549
Customs tariff number	85369010000

Environmental Product Compliance

RoHS Compliance Status	Compliant, No Exemption
------------------------	-------------------------

Downloads

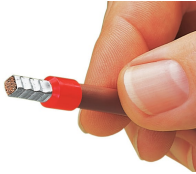
Environmental Product Compliance

Compliance Search	
Environmental Product Compliance 216-209	↓

Documentation

Bid Text			
216-209	19.02.2019	xml 2.80 KB	↓
216-209	11.09.2017	doc 24.00 KB	↓

Installation Notes



A perfect gas-tight crimp – both electrical-ly and mechanically reliable