

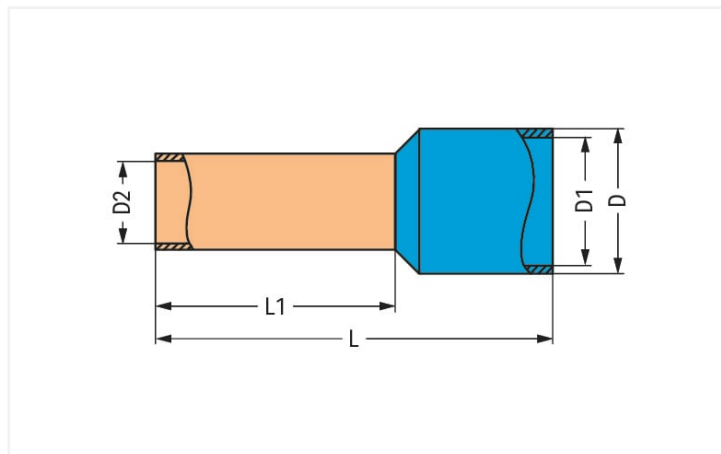
## Data Sheet | Item Number: 216-208

Ferrule; Sleeve for 6 mm<sup>2</sup> / AWG 10; insulated; electro-tin plated; electrolytic copper; gastight crimped; acc. to DIN 46228, Part 4/09.90; yellow

<https://www.wago.com/216-208>



Color: ■ yellow



Dimensions in mm

### Technical data

Sleeve cross-section (AWG)	10 AWG
Sleeve for	6 mm <sup>2</sup>

### Connection data

Strip length	14 mm / 0.55 inches
--------------	---------------------

### Physical data

Length	20 mm
Crimp length (length of sleeve)	12 mm
Diameter	6.9 mm
Inner Diameter plastic collar	6.3 mm
Diameter crimp sleeve inside	3.5 mm

### Mechanical data

Suitable	2006 Series
----------	-------------

### Material data

Color	yellow
Fire load	0.004 MJ
Weight	0.4 g

### Commercial data

Product Group	2 (Terminal Block Accessories)
eCl@ss 10.0	27-40-02-01
eCl@ss 9.0	27-40-02-01
ETIM 9.0	EC000005
ETIM 8.0	EC000005
PU (SPU)	1000 (100) pcs
Packaging type	Box
Country of origin	DE
GTIN	4017332277532
Customs tariff number	85369010000

### Environmental Product Compliance

RoHS Compliance Status	Compliant, No Exemption
------------------------	-------------------------

### Downloads

#### Environmental Product Compliance

Compliance Search	
Environmental Product Compliance 216-208	↓

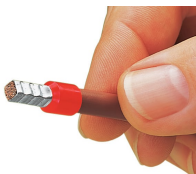
### Documentation

Bid Text			
216-208	19.02.2019	xml 2.80 KB	↓
216-208	11.09.2017	doc 24.50 KB	↓

### CAD/CAE-Data

CAD data	
2D/3D Models 216-208	↓

### Installation Notes



A perfect gas-tight crimp – both electrical-ly and mechanically reliable

Subject to changes. Please also observe the further product documentation!

Current addresses can be found at: [www.wago.com](http://www.wago.com)