

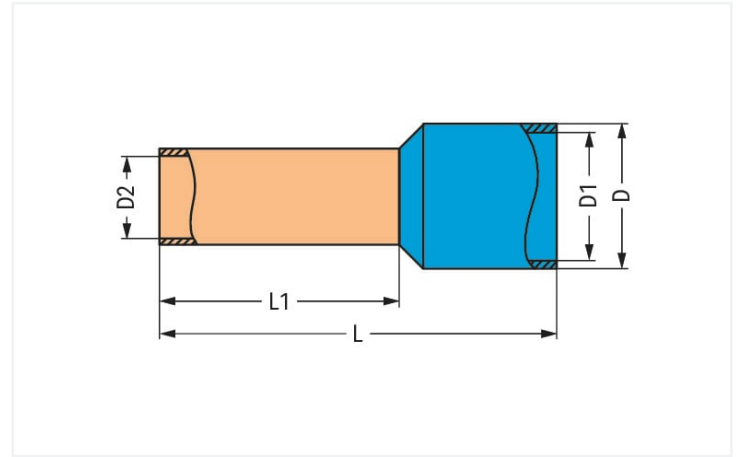
## Data Sheet | Item Number: 216-207

Ferrule; Sleeve for 4 mm<sup>2</sup> / AWG 12; insulated; electro-tin plated; gray

<https://www.wago.com/216-207>



Color: ■ gray



Dimensions in mm

### Technical data

Sleeve cross-section (AWG)	12 AWG
Sleeve for	4 mm <sup>2</sup>

### Connection data

Strip length	12 mm / 0.47 inches
--------------	---------------------

### Physical data

Length	18 mm
Crimp length (length of sleeve)	10 mm
Diameter	5.4 mm
Inner Diameter plastic collar	4.8 mm
Diameter crimp sleeve inside	2.8 mm

### Material data

Color	gray
Fire load	0.003 MJ
Weight	0.2 g

### Commercial data

Product Group	2 (Terminal Block Accessories)
eCl@ss 10.0	27-40-02-01
eCl@ss 9.0	27-40-02-01
ETIM 9.0	EC000005
ETIM 8.0	EC000005
PU (SPU)	500 (100) pcs
Packaging type	Bag
Country of origin	DE
GTIN	4055143654708
Customs tariff number	85369010000

### Environmental Product Compliance

RoHS Compliance Status	Compliant, No Exemption
------------------------	-------------------------

### Downloads

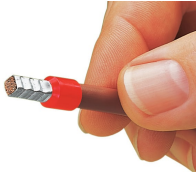
#### Environmental Product Compliance

Compliance Search	
Environmental Product Compliance 216-207	<a href="#">↓</a>

### Documentation

Bid Text			
216-207	19.02.2019	xml 2.80 KB	<a href="#">↓</a>
216-207	11.09.2017	doc 23.50 KB	<a href="#">↓</a>

### Installation Notes



A perfect gas-tight crimp – both electrically and mechanically reliable