

## Data Sheet | Item Number: 216-204

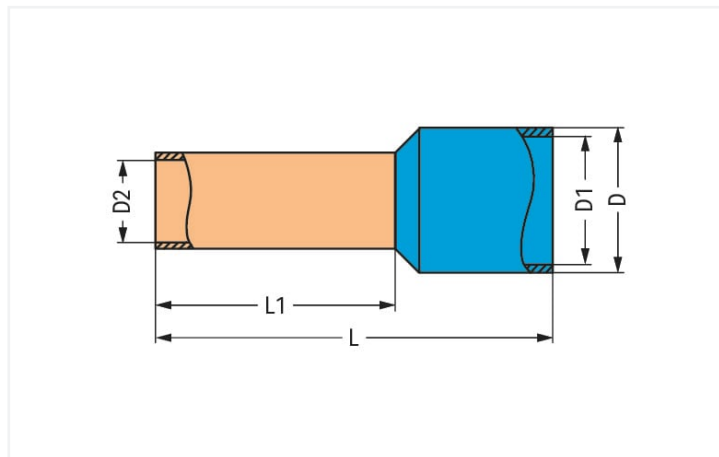
Ferrule; Sleeve for 1.5 mm<sup>2</sup> / AWG 16; insulated; electro-tin plated; black

<https://www.wago.com/216-204>



Color: ■ black

Similar to illustration



Dimensions in mm

### Technical data

|                            |                     |
|----------------------------|---------------------|
| Sleeve cross-section (AWG) | 16 AWG              |
| Sleeve for                 | 1.5 mm <sup>2</sup> |

### Connection data

|              |                     |
|--------------|---------------------|
| Strip length | 10 mm / 0.39 inches |
|--------------|---------------------|

### Physical data

|                                 |        |
|---------------------------------|--------|
| Length                          | 14 mm  |
| Crimp length (length of sleeve) | 8 mm   |
| Diameter                        | 4 mm   |
| Inner Diameter plastic collar   | 3.5 mm |
| Diameter crimp sleeve inside    | 1.7 mm |

### Material data

|           |          |
|-----------|----------|
| Color     | black    |
| Fire load | 0.002 MJ |
| Weight    | 0.1 g    |

### Commercial data

|                       |                                |
|-----------------------|--------------------------------|
| Product Group         | 2 (Terminal Block Accessories) |
| eCl@ss 10.0           | 27-40-02-01                    |
| eCl@ss 9.0            | 27-40-02-01                    |
| ETIM 9.0              | EC000005                       |
| ETIM 8.0              | EC000005                       |
| PU (SPU)              | 1000 pcs                       |
| Packaging type        | Box                            |
| Country of origin     | DE                             |
| GTIN                  | 4017332277495                  |
| Customs tariff number | 85369010000                    |

### Environmental Product Compliance

|                        |                         |
|------------------------|-------------------------|
| RoHS Compliance Status | Compliant, No Exemption |
|------------------------|-------------------------|

### Downloads

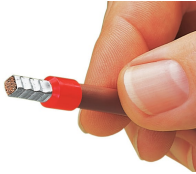
#### Environmental Product Compliance

|  |                   |
|--|-------------------|
| Compliance Search                        |                   |
| Environmental Product Compliance 216-204 | <a href="#">↓</a> |

### Documentation

| Bid Text |            |                 |                   |
|----------|------------|-----------------|-------------------|
| 216-204  | 19.02.2019 | xml<br>2.80 KB  | <a href="#">↓</a> |
| 216-204  | 11.09.2017 | doc<br>23.50 KB | <a href="#">↓</a> |

### Installation Notes



A perfect gas-tight crimp – both electrical-ly and mechanically reliable