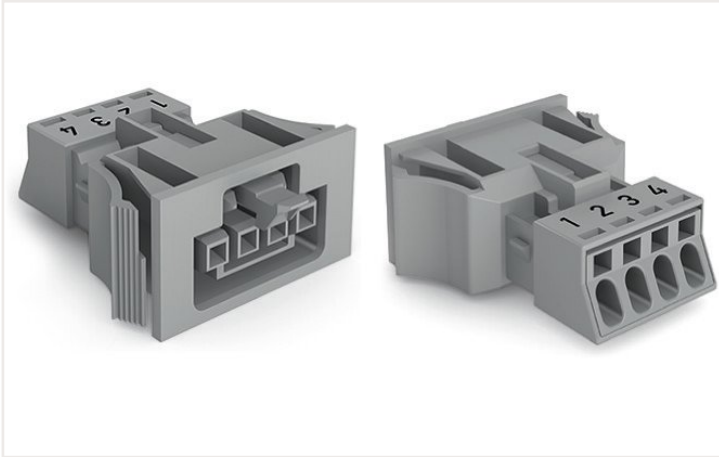


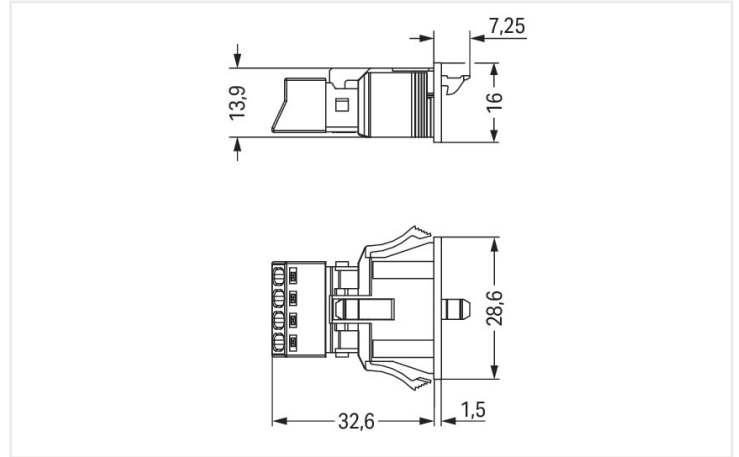
Data sheet | Item number: 890-744

Snap-in socket; 4-pole; Cod. B; 1,50 mm²; gray

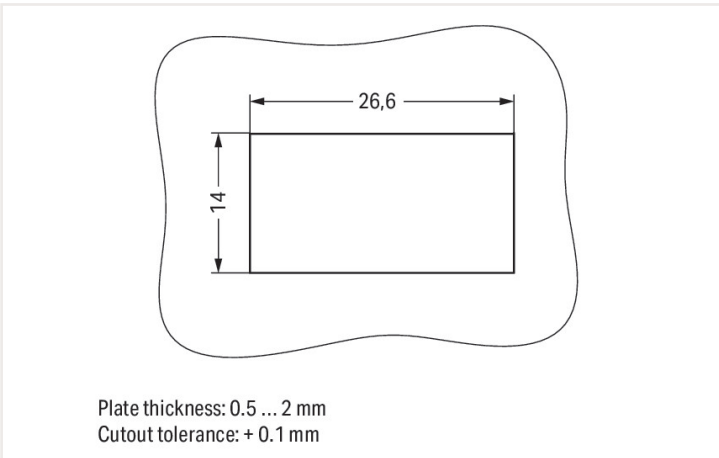
<https://www.wago.com/890-744>



Color: ■ gray



Dimensions in mm



Dimensions in mm

Female connector/socket WINSTA® MINI with protection type IP40

For power and signal transmission: The WINSTA® MINI female connector/socket with protection type IP40. On PCBs, in control cabinets or for connecting lights – pluggable installation connectors from WAGO allow you to establish connections according to a huge variety of requirements in no time flat. For greater protection in electrical installations, the pluggable installation connector is provided with mechanical protection against mismatching. The pluggable installation connector is protected against ingress by solid granular objects with a diameter below 1 mm in accordance with protection type IP40. B coding enables the WINSTA® MINI pluggable installation connectors to be used for application control in the domains of automation, mechanical engineering and robotics. WINSTA® MINI is our response to the trend toward miniaturisation. Our smallest pluggable connection system is very good for lights, for example, since due to LED technology, these offer less and less space for the connection technology.

Push-in CAGE CLAMP® spring pressure connection technology – pluggable installation instead of laborious screw connections!

The WINSTA® Pluggable Connection System allows pluggable electrical installation. This saves time, lowers costs, and reduces the need for servicing. Now you can also cut installation costs without compromising quality and safety: The WINSTA® MINI pluggable installation connector with marking eliminates the need for servicing and prevents unnecessary downtime.

- effective protection against mismatching
- consistent IP40 protection
- with B coding for use in automation of processes, such as lighting technology
- exact dimensions
- convenient installation and commissioning

Notes

Variants:

Other pole markings

Other versions (or variants) can be requested from WAGO Sales or configured at <https://configurator.wago.com/>.

Electrical data

Note on contact resistance approx. 1 mΩ of contact resistance
approx. 0.25 mΩ contact transition plug/
socket

Ratings per IEC/EN

Ratings per	IEC/EN 60664-1
Nominal voltage (III/3)	400 V
Rated impulse voltage (III/3)	6 kV
Rated current	16 A
Note (rated current)	13 A for 3-pole load 10 A for 4-pole load
Legend (ratings)	(III / 3) Δ Overvoltage category III / Pollution degree 3

Ratings per UL

Note for the US market Some versions may also be used for current interruption in accordance with the UL certificate in select applications with currents below 5 A and voltages up to 600 V. For further information, please contact your local sales office.

Rated voltage (UL 1977) 600 V

Rated current UL 1977 12 A

Connection data

Total number of connection points 4

Total number of potentials 4

Connection 1

Connection technology	Push-in CAGE CLAMP®
Actuation type	Operating tool Push-in
Nominal cross-section	1.5 mm ² / 16 AWG
Solid conductor	0.25 ... 1.5 mm ² / 22 ... 16 AWG
Solid conductor; push-in termination	0.75 ... 1.5 mm ² / 20 ... 16 AWG
Stranded conductor	0.25 ... 1 mm ² / 22 ... 18 AWG
Fine-stranded conductor	0.25 ... 1.5 mm ² / 22 ... 16 AWG
Fine-stranded conductor; with insulated ferrule	0.25 ... 0.75 mm ² / 22 ... 20 AWG
Fine-stranded conductor; with uninsulated ferrule	0.25 ... 0.75 mm ² / 22 ... 20 AWG
Fine-stranded conductor; with ferrule; push-in termination	0.75 mm ² / 20 AWG
Strip length	9 mm / 0.35 inches
Pole number	4
Conductor entry direction to mating direction	0°

Physical data

Pin spacing	4.4 mm / 0.173 inches
Width	28.6 mm / 1.126 inches
Height	16 mm / 0.63 inches
Depth	39.8 mm / 1.567 inches

Mechanical data

Application	Control technology
Coding	B
Variable coding	No
Marking	1 2 3 4
Potential marking	1 2 3 4
Mating force of a plug-in connection	approx. 20 ... 70 N (depending on pole number)
Retention force of a plug-in connection	Locked:
Unmating force of a plug-in connection	Unlocked: approx. 20 ... 70 N (depending on pole number)
Number of mating cycles	200, without resistive load
Housing sheet thickness	0.5 ... 2 mm / 0.02 ... 0.079 inches
Mounting type	Snap-in flange
Protection type	IP40

Plug-in connection

Contact type (pluggable connector)	Female connector/socket
Connector (connection type)	for conductor
Mismating protection	Yes
Note on mismating protection	All WINSTA® components are 100% protected against mismating when: a.) plugging different numbers of poles b.) plugging while rotated 180 c.) plugging while laterally staggered d.) plugging one pole
Locking lever	Yes
Locking of plug-in connection	Locking lever
Note on locking system	All connectors for mounted installations (snap-in versions for lighting fixtures or devices, all types of PCB and distribution connectors) are factory-equipped with locking levers to ensure plugs and sockets are securely locked. Additional locking levers are only required for flying leads (plug/socket).

Material data

Note (material data)	Information on material data can be found here
Color	gray
Cover color	gray
Material group	III/3
Insulation material	Polyamide (PA66)
Flammability class per UL94	V0
Clamping spring material	Chrome-nickel spring steel (CrNi)
Contact material	Copper or copper alloy; surface-treated
Fire load	0.167 MJ
Weight	7.4 g

Environmental requirements

Processing temperature	-5 ... +40 °C
Continuous operating temperature	-35 ... +85 °C
Note on continuous operating temperature	Insulating parts for temperatures ≤ 105 °C

Commercial data

Product Group	20 (WINSTA)
eCl@ss 10.0	27-44-06-02
eCl@ss 9.0	27-44-06-02
ETIM 7.0	EC002566
ETIM 6.0	EC002566
PU (SPU)	50 (50) Stück
Packaging type	Box
Country of origin VKOrg Germany	PL
GTIN	4055143427623
Customs tariff number VKOrg Germany	85366990990

Approvals and certificates

Country specific Approvals



Approval	Standard	Certificate name
CB DEKRA Certification B.V.	IEC 61984	NL-64351
CB DEKRA Certification B.V.	EN 61984	71-112993
KEMA/KEUR DEKRA Certification B.V.	EN 60320	2148952.04

Ship Approvals



Approval	Standard	Certificate name
DNV GL Det Norske Veritas, Germanischer Lloyd	-	TAE00001Z6
LR Lloyds Register	EN 61535	08/20047 (E2)

UL-Approvals



Approval	Standard	Certificate name
cURus Underwriters Laboratories Inc.	UL 1977	E45171

Downloads

Environmental Product Compliance

Compliance Search





Environmental Product
Compliance 890-744

Documentation

Bid Text

890-744	19.02.2019	xml 2.91 KB	
890-744	30.11.2018	doc 23.00 KB	

CAD/CAE-Data

CAD data		CAE data	
2D/3D Models 890-744		EPLAN Data Portal 890-744	
		WSCAD Universe 890-744	
		ZUKEN Portal 890-744	

1 Compatible products

1.1 System counterpart

1.1.1 Cable assembly

**Item no.: 891-8994/205-103**pre-assembled connecting cable; Eca;
Plug/open-ended; 4-pole; Cod. B; Control
cable 4 x 1.0 mm²; 1 m; 1,00 mm²; gray**Item no.: 891-8994/005-103**pre-assembled interconnecting cable;
Eca; Socket/plug; 4-pole; Cod. B; Control
cable 4 x 1.0 mm²; 1 m; 1,00 mm²; gray

1.1.2 Male connector/plug

**Item no.: 890-254**Plug; 4-pole; 1,50 mm²; gray

1.2 Optional accessories

1.2.1 Cover

1.2.1.1 Cover



Item no.: 890-644

Lockout cap; 4-pole; for cutouts; Plastic; black



Item no.: 890-694

Lockout cap; 4-pole; for cutouts; Plastic; white

1.2.2 Tool

1.2.2.1 Operating tool



Item no.: 890-384

Operating tool; 4-way; green

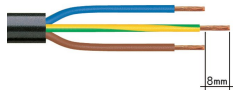


Item no.: 210-719

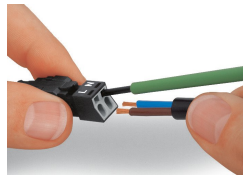
Operating tool; Blade: 2.5 x 0.4 mm; with a partially insulated shaft

Installation notes

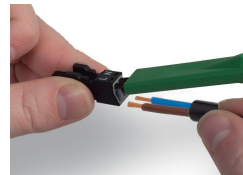
Conductor termination



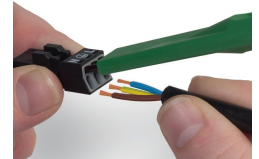
1. Strip length, outer insulation = 30 mm (2-pole), 37 mm (3-pole), 45 mm (4- and 5-pole)
2. Strip length = 9 mm
3. Extended ground conductor = 8 mm



To terminate fine-stranded conductors, open the clamping unit via screwdriver – 2.5 mm blade width – and insert a stripped conductor until it hits the backstop. Terminate solid conductors by simply pushing them in.

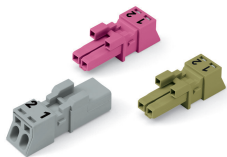


To terminate fine-stranded conductors, open clamping units via operating tool (890-382) and insert stripped conductors until they hit backstop. Terminate solid conductors by simply pushing them in.



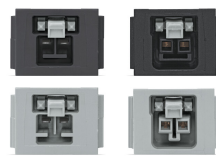
To terminate fine-stranded conductors, open clamping units via operating tool (890-383) and insert stripped conductors until they hit backstop. Terminate solid conductors by simply pushing them in.

Mismatching protection



B-coded connectors with different colors can be plugged together.

Important note:
Different colors and/or pole markings are used for circuit identification. Only connectors of the same color and same pole marking must be plugged together.



B-coded connectors (shown in gray) not only differ in color, but also in their design, making them incompatible with other coded connectors.

