

## Universal modular component plug housing as rail-mounted terminal block

Item No.: 859-110



Universal modular component plug housing as rail-mounted terminal block

### Marking

RoHS ✓  
Compliant

### Business data

Supplier	WAGO
Item no.	859-110
GTIN / EAN	4050821201830
Content	1
Order amount	25
Customer item number	

### Notes

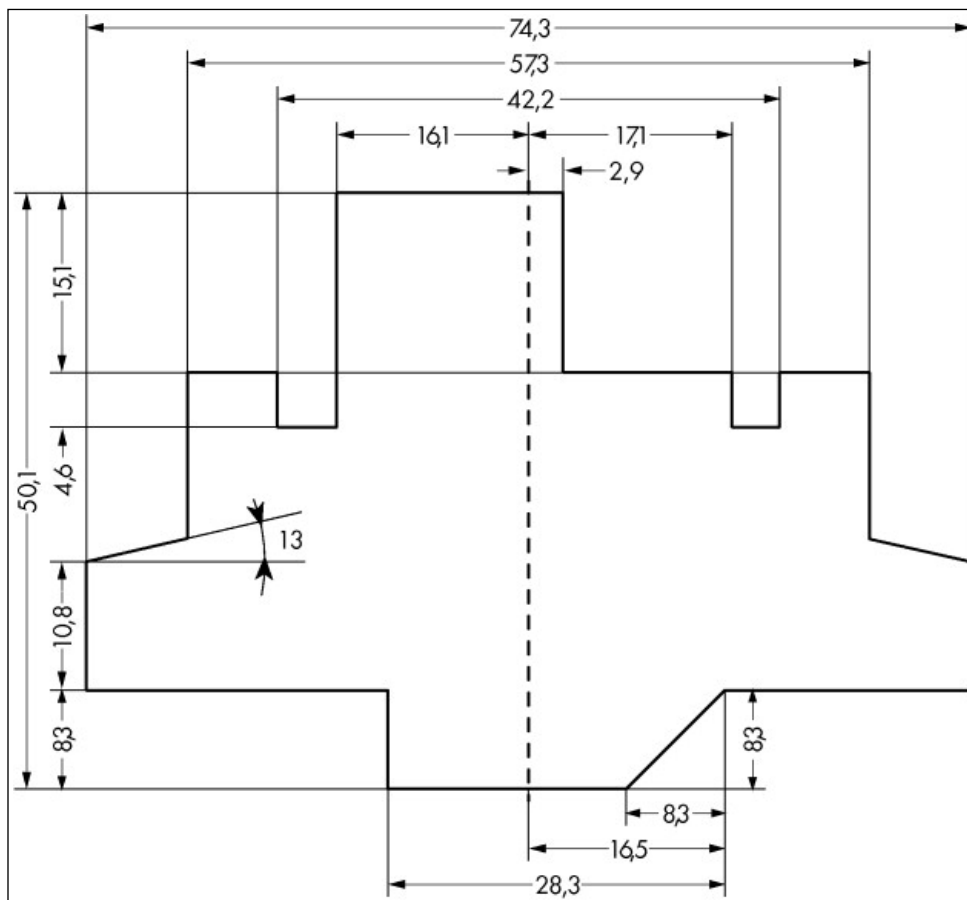
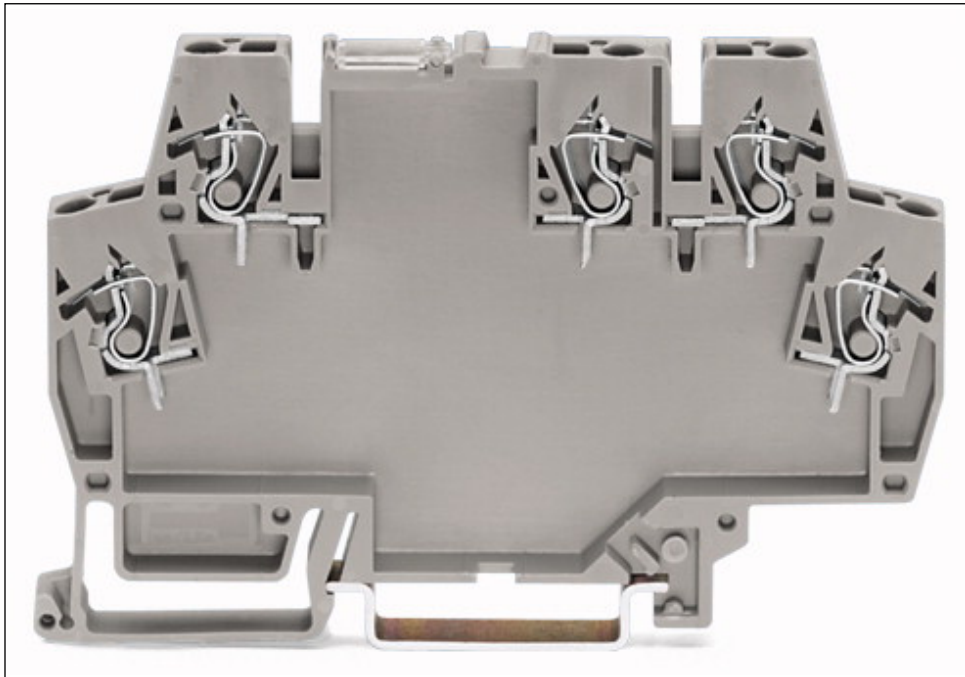
### Technical data

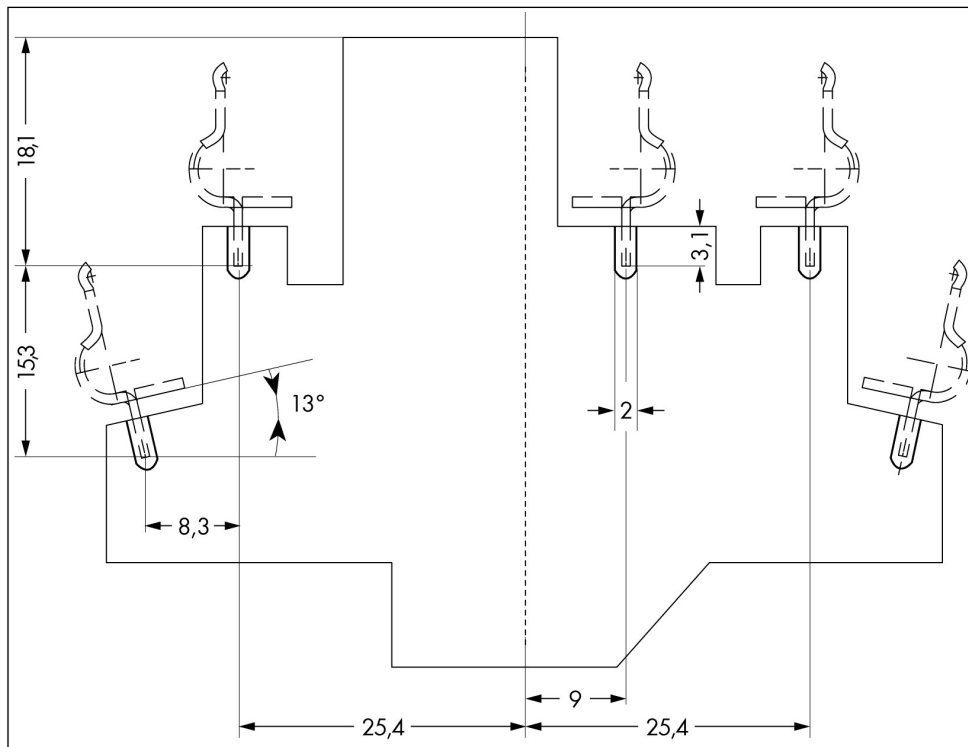
#### Miscellaneous

Pin Spacing	6 mm (0.0 in %)
Total number of connection points	5
Total number of potentials	5
Color	gray
Ambient operating temperature	-25 °C ... +70 °C
Degree of protection	IP 20
Connection technology (1)	CAGE CLAMP®
Solid sizes 1	0.08 ... 2.5 mm <sup>2</sup> / 28 ... 14 AWG
Strip length 1	5 ... 6 mm / 0.2 ... 0.24 in
Fire load [MJ]	0.313 [MJ]

<b>Technical data</b>	
<i>Weight [g]</i>	<i>14.343 [g]</i>
<i>Width</i>	<i>6 mm / 0.236 in</i>
<i>Height from upper-edge of DIN-rail [mm]</i>	<i>56 [mm]</i>
<i>Height from upper-edge of DIN-rail</i>	<i>56 mm / 2.205 in</i>
<i>Length</i>	<i>91 mm / 3.583 in</i>
<i>Housing material</i>	<i>PA 6.6</i>
<i>Storage temperature</i>	<i>-40 ° C ... +85 °C</i>
<i>Mounting position</i>	<i>any</i>

Images & drawings





#### Address

WAGO Kontakttechnik GmbH & Co. KG

Hansastr. 27

32423 Minden

Telefon: 0571/887-0

Fax: 0571/887-169

<http://www.wago.com>

© WAGO Kontakttechnik GmbH & Co. KG

Technische Änderungen und Irrtümer vorbehalten.