





MULTI CONNECTION SYSTEM **MAXI**

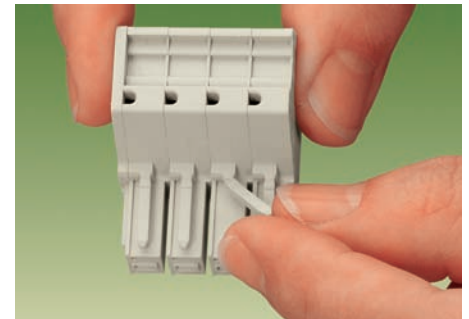
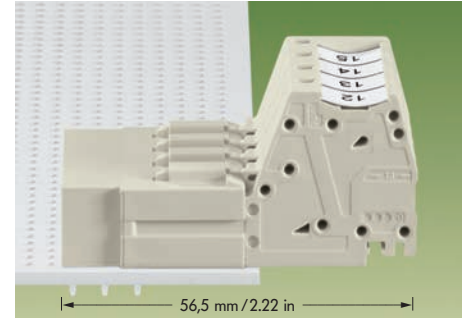
Headers with Solder Pins, **100 % Protected against Mismatching**, Pin Spacing 7.62 mm / 0.3 in

Pin spacing 7.62 mm/0.3 in, light grey
500 V/6 kV/3 | 300/600 V, 42/5 A 
I_N 41 A | 300/600 V, 50/5 A 

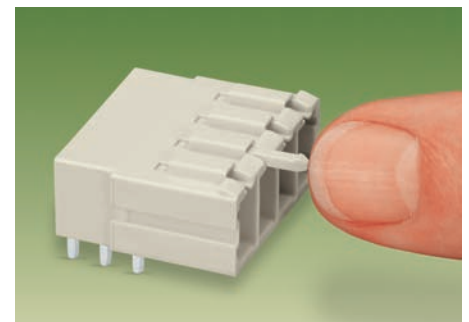
Pin spacing 7.62 mm/0.3 in, light grey
500 V/6 kV/3 | 300/600 V, 42/5 A 
I_N 41 A | 300/600 V, 50/5 A 

*  

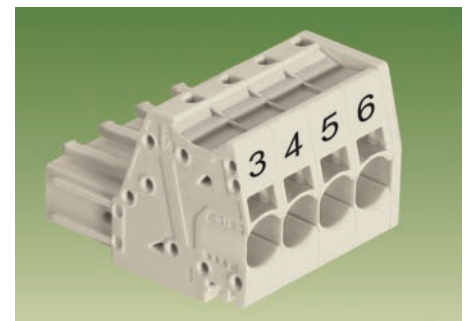
*  



Break or cut-off coding pin on the female connector . . .



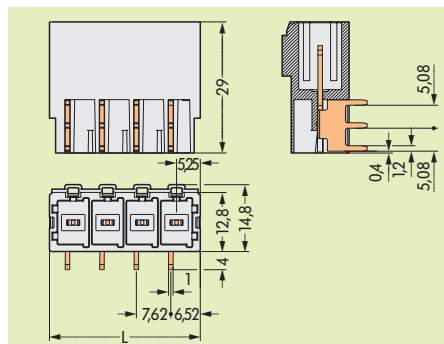
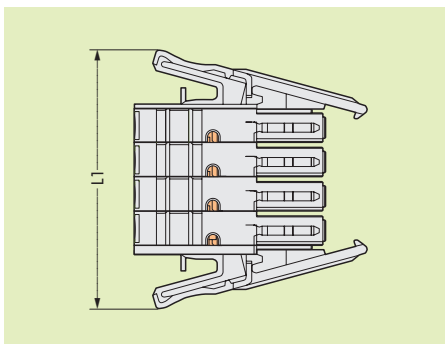
. . . Fit the coding pin into the connector (break first) so that the pin engages



Printed female connector on request

| No. of poles | Item No. | No. of poles | Item No. |
|---|-----------------|---|-----------------|
| Headers with straight solder pins, 100 % protected against mismatching, light grey, | | Headers with right angle solder pins, 100 % protected against mismatching, light grey, | |
| 3 x solder pins | 1 mm x 1.2 mm | 3 x solder pins | 1 mm x 1.2 mm |
| 2 | 831-3602 | 2 | 831-3622 |
| 3 | 831-3603 | 3 | 831-3623 |
| 4 | 831-3604 | 4 | 831-3624 |
| 5 | 831-3605 | 5 | 831-3625 |
| 6 | 831-3606 | 6 | 831-3626 |
| 7 | 831-3607 | 7 | 831-3627 |
| 8 | 831-3608 | 8 | 831-3628 |
| Note: | | | |
| On request, headers with straight solder pins are also available with protection against positioning error on the PCB | | | |

Dimensions (in mm) Diameter of drilled hole: 1.7^{+0.1} mm L = (No. of poles - 1) x pin spacing + 10.5 mm



* Further approvals with corresponding ratings can be found at www.wago.com

MULTI CONNECTION SYSTEM MAXI

Male Connectors, 100% Protected against Mismatching, Pin Spacing 7.62 mm / 0.3 in



VOLUME 2

Pin spacing 7.62 mm/0.3 in, light grey
0.5 – 6 (10) mm² ① AWG 20 – 8
800 V/8 kV/3 300/600 V, 42/5 A
I_N 41 A

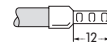
Pin spacing 7.62 mm/0.3 in, light grey
0.5 – 6 (10) mm² ① AWG 20 – 8
800 V/8 kV/3 300/600 V, 42/5 A
I_N 41 A

*

*



① can be connected:
0.5 mm² – 10 mm² "s + f-st";
can be pushed in directly: 1.5 mm² – 10 mm² "s" and
1.5 mm² – 6 mm² "insulated ferrule, 12 mm/0.472 in"

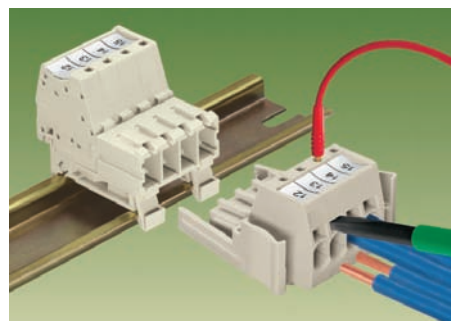
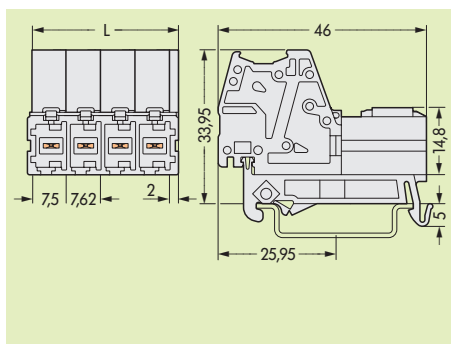
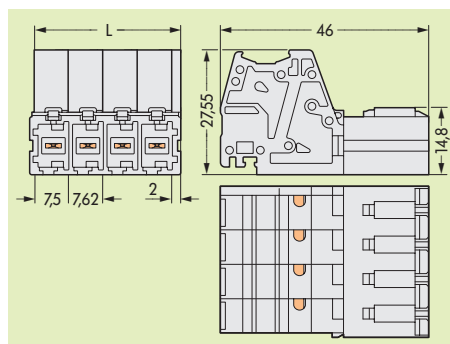


| No. of poles | Item No. | No. of poles | Item No. |
|---|----------|---|------------------|
| Male connectors with CAGE CLAMP[®]S connection, 100% protected against mismatching, with coding fingers, light grey | | Male connectors with CAGE CLAMP[®]S connection, for DIN 35 rail mounting, 100% protected against mismatching, with coding fingers, light grey | |
| 2 | 831-3202 | 2 | 831-3202/007-000 |
| 3 | 831-3203 | 3 | 831-3203/007-000 |
| 4 | 831-3204 | 4 | 831-3204/007-000 |
| 5 | 831-3205 | 5 | 831-3205/007-000 |
| 6 | 831-3206 | 6 | 831-3206/007-000 |
| 7 | 831-3207 | 7 | 831-3207/007-000 |
| 8 | 831-3208 | 8 | 831-3208/007-000 |

Accessories

| | | | |
|--|---|--|---|
| | Test plug , with cable 500 mm/1'7.7" Ø 2 mm/0.079 in, red 210-136 | | Test plug , with cable 500 mm/1'7.7" Ø 2 mm/0.079 in, red 210-136 |
| | Marker card , 80 self-adhesive strips per card Height of marker strip 5 mm/0.197 in Marking 1 – 16 (100 x) 210-334/0762-0202 For direct printing, please contact factory | | Marker card , 80 self-adhesive strips per card Height of marker strip 5 mm/0.197 in Marking 1 – 16 (100 x) 210-334/0762-0202 For direct printing, please contact factory |
| | Marker strip , white, plain, on roll for center marking 11 mm/0.039 in wide 50 m 2009-110 300 m 2009-130 | | Marker strip , white, plain, on roll for center marking 11 mm/0.039 in wide 50 m 2009-110 300 m 2009-130 |
| | DIN 35 carrier rail adapter , for snap-fit mounting to male connectors with CAGE CLAMP [®] S connection 831-137 | | Screwdriver with partially insulated shaft , (5.5 x 0.8) mm / (0.217 x 0.031) in 210-621 |

Dimensions (in mm) L = (No. of poles - 1) x pin spacing + 9.5 mm

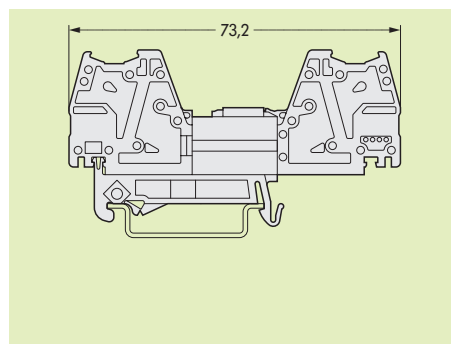


The new WAGO MULTI CONNECTION SYSTEM MAXI can be used as "high-power" sub-assemblies on carrier rails or printed circuit boards in such applications like drive technology, converters or power supply units.

Equipped with CAGE CLAMP[®]S connection up to AWG 10/ AWG 8 (6 mm²/10 mm²) ①, it handles a rated current of 41 A and has a pin spacing of 7.62 mm/0.3 in, which makes it ideally suited for such applications.

Product features

- 100 % protected against mismatching
- Coding without the loss of poles
- Male and female connectors with CAGE CLAMP[®]S connection for all conductor types
Additional benefit: Time-saving push-in wiring of fine-stranded wires with ferrules
- Vibration proof - fast - maintenance free
- Male and female connectors with separate test slot for test plugs Ø 2.3 mm/0.091 in
- Pole marking using marker strips or direct printing



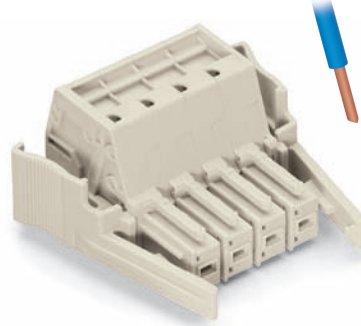
* Further approvals with corresponding ratings can be found at www.wago.com

MULTI CONNECTION SYSTEM MAXI

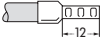
Female Connectors, 100% Protected against Mismatching, Pin Spacing 7.62 mm / 0.3 in



| | | |
|--|--|--|
| <p>Pin spacing 7.62 mm/0.3 in, light grey 0.5 – 6 (10) mm² ① AWG 20 – 8 800 V/8 kV/3 I_N 41 A</p> | <p>Pin spacing 7.62 mm/0.3 in, light grey 0.5 – 6 (10) mm² ① AWG 20 – 8 800 V/8 kV/3 I_N 41 A</p> | |
| <p>300/600 V, 42/5 A </p> | <p>300/600 V, 42/5 A </p> | |
| <p>300/600 V, 50/5 A </p> | <p>300/600 V, 50/5 A </p> | |



① can be connected:
0.5 mm² – 10 mm² "s + f-st";
can be pushed in directly: 1.5 mm² – 10 mm² "s" and
1.5 mm² – 6 mm² "insulated ferrule, 12 mm/0.472 in"



| No. of poles | Item No. | No. of poles | Item No. |
|---|----------|--|------------------|
| Female connectors with CAGE CLAMP[®]S connection, 100% protected against mismatching, with coding fingers, light grey | | Female connectors with CAGE CLAMP[®]S connection and locking device, 100% protected against mismatching, with coding fingers, light grey | |
| 2 | 831-3102 | 2 | 831-3102/037-000 |
| 3 | 831-3103 | 3 | 831-3103/037-000 |
| 4 | 831-3104 | 4 | 831-3104/037-000 |
| 5 | 831-3105 | 5 | 831-3105/037-000 |
| 6 | 831-3106 | 6 | 831-3106/037-000 |
| 7 | 831-3107 | 7 | 831-3107/037-000 |
| 8 | 831-3108 | 8 | 831-3108/037-000 |

Accessories

| | |
|--|--|
| <p>Test plug, with cable 500 mm/1'77" 2 mm/0.079 in Ø, red 210-136</p> | <p>Test plug, with cable 500 mm/1'77" 2 mm/0.079 in Ø, red 210-136</p> |
| <p>Marker card, 80 self-adhesive strips per card Height of marker strip 5 mm/0197 in Marking 1 – 16 (100 x) 210-334/0762-0202</p> <p>For direct printing, please contact factory</p> | <p>Marker card, 80 self-adhesive strips per card Height of marker strip 5 mm/0197 in Marking 1 – 16 (100 x) 210-334/0762-0202</p> <p>For direct printing, please contact factory</p> |
| <p>Marker strip, white, plain, on roll for center marking 11 mm/0.039 in wide 50 m 2009-110 300 m 2009-130</p> | <p>Marker strip, white, plain, on roll for center marking 11 mm/0.039 in wide 50 m 2009-110 300 m 2009-130</p> |
| <p>Screwdriver with partially insulated shaft, (5.5 x 0.8) mm / (0.217 x 0.031) in 210-621</p> | <p>Screwdriver with partially insulated shaft, (5.5 x 0.8) mm / (0.217 x 0.031) in 210-621</p> |

Dimensions (in mm) L = (No. of poles - 1) x pin spacing + 9.5 mm L1 = L + 24.8 mm

