





MULTI CONNECTION SYSTEM **MAXI**

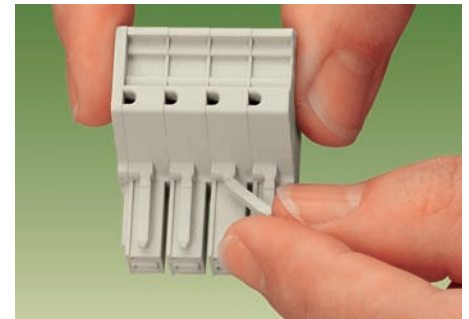
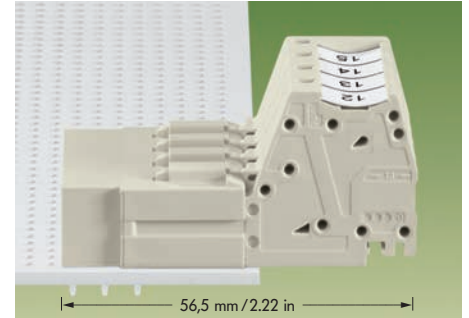
Headers with Solder Pins, **100 % Protected against Mismatching,** Pin Spacing 7.62 mm / 0.3 in

Pin spacing 7.62 mm/0.3 in, light grey
500 V/6 kV/3 | 300/600 V, 42/5 A 
I_N 41 A | 300/600 V, 50/5 A 

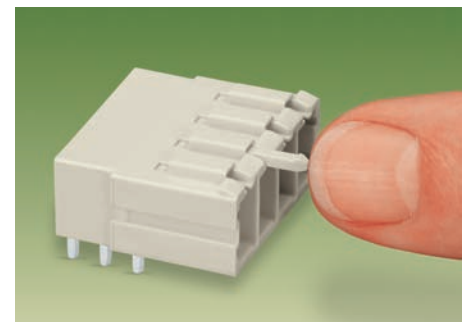
Pin spacing 7.62 mm/0.3 in, light grey
500 V/6 kV/3 | 300/600 V, 42/5 A 
I_N 41 A | 300/600 V, 50/5 A 

*  

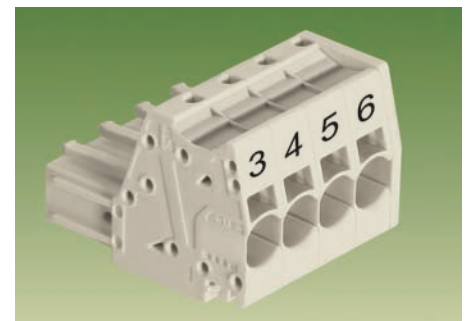
*  



Break or cut-off coding pin on the female connector . . .



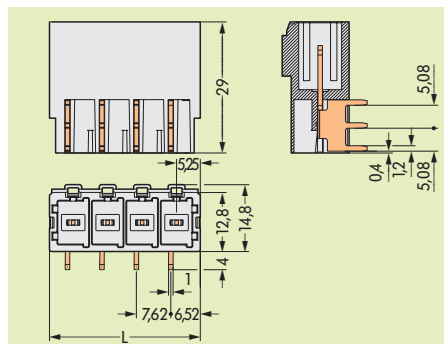
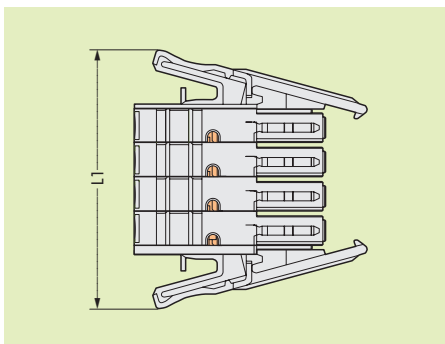
. . . Fit the coding pin into the connector (break first) so that the pin engages



Printed female connector on request

No. of poles	Item No.	No. of poles	Item No.
Headers with straight solder pins, 100 % protected against mismatching, light grey,		Headers with right angle solder pins, 100 % protected against mismatching, light grey,	
3 x solder pins	1 mm x 1.2 mm	3 x solder pins	1 mm x 1.2 mm
2	831-3602	2	831-3622
3	831-3603	3	831-3623
4	831-3604	4	831-3624
5	831-3605	5	831-3625
6	831-3606	6	831-3626
7	831-3607	7	831-3627
8	831-3608	8	831-3628
Note:			
On request, headers with straight solder pins are also available with protection against positioning error on the PCB			

Dimensions (in mm) Diameter of drilled hole: 1.7^{+0.1} mm L = (No. of poles - 1) x pin spacing + 10.5 mm



* Further approvals with corresponding ratings can be found at www.wago.com

MULTI CONNECTION SYSTEM MAXI

Male Connectors, 100% Protected against Mismatching, Pin Spacing 7.62 mm / 0.3 in



VOLUME 2

Pin spacing 7.62 mm/0.3 in, light grey
0.5 – 6 (10) mm² ① AWG 20 – 8
800 V/8 kV/3 300/600 V, 42/5 A
I_N 41 A

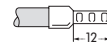
Pin spacing 7.62 mm/0.3 in, light grey
0.5 – 6 (10) mm² ① AWG 20 – 8
800 V/8 kV/3 300/600 V, 42/5 A
I_N 41 A

*

*



① can be connected:
0.5 mm² – 10 mm² "s + f-st";
can be pushed in directly: 1.5 mm² – 10 mm² "s" and
1.5 mm² – 6 mm² "insulated ferrule, 12 mm/0.472 in"

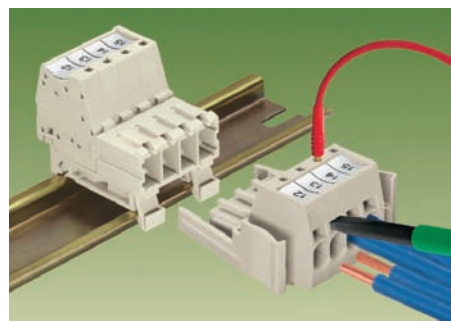
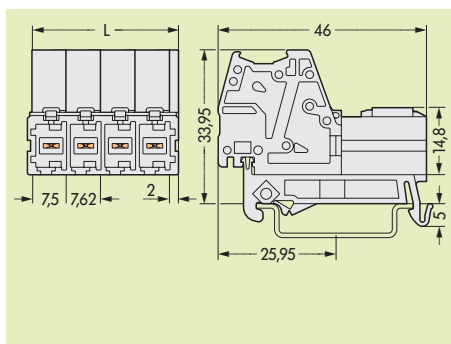
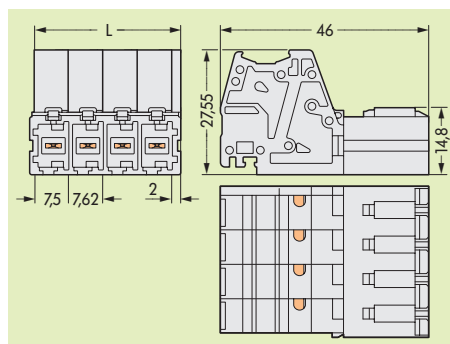


No. of poles	Item No.	No. of poles	Item No.
Male connectors with CAGE CLAMP[®]S connection, 100% protected against mismatching, with coding fingers, light grey		Male connectors with CAGE CLAMP[®]S connection, for DIN 35 rail mounting, 100% protected against mismatching, with coding fingers, light grey	
2	831-3202	2	831-3202/007-000
3	831-3203	3	831-3203/007-000
4	831-3204	4	831-3204/007-000
5	831-3205	5	831-3205/007-000
6	831-3206	6	831-3206/007-000
7	831-3207	7	831-3207/007-000
8	831-3208	8	831-3208/007-000

Accessories

	Test plug , with cable 500 mm/1'7.7" Ø 2 mm/0.079 in, red 210-136		Test plug , with cable 500 mm/1'7.7" Ø 2 mm/0.079 in, red 210-136
	Marker card , 80 self-adhesive strips per card Height of marker strip 5 mm/0.197 in Marking 1 – 16 (100 x) 210-334/0762-0202 For direct printing, please contact factory		Marker card , 80 self-adhesive strips per card Height of marker strip 5 mm/0.197 in Marking 1 – 16 (100 x) 210-334/0762-0202 For direct printing, please contact factory
	Marker strip , white, plain, on roll for center marking 11 mm/0.039 in wide 50 m 2009-110 300 m 2009-130		Marker strip , white, plain, on roll for center marking 11 mm/0.039 in wide 50 m 2009-110 300 m 2009-130
	DIN 35 carrier rail adapter , for snap-fit mounting to male connectors with CAGE CLAMP [®] S connection 831-137		Screwdriver with partially insulated shaft , (5.5 x 0.8) mm / (0.217 x 0.031) in 210-621

Dimensions (in mm) L = (No. of poles - 1) x pin spacing + 9.5 mm

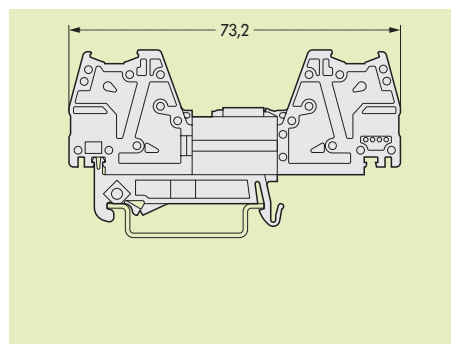


The new WAGO MULTI CONNECTION SYSTEM MAXI can be used as "high-power" sub-assemblies on carrier rails or printed circuit boards in such applications like drive technology, converters or power supply units.

Equipped with CAGE CLAMP[®]S connection up to AWG 10/ AWG 8 (6 mm²/10 mm²) ①, it handles a rated current of 41 A and has a pin spacing of 7.62 mm/0.3 in, which makes it ideally suited for such applications.

Product features

- 100 % protected against mismatching
- Coding without the loss of poles
- Male and female connectors with CAGE CLAMP[®]S connection for all conductor types
Additional benefit: Time-saving push-in wiring of fine-stranded wires with ferrules
- Vibration proof - fast - maintenance free
- Male and female connectors with separate test slot for test plugs Ø 2.3 mm/0.091 in
- Pole marking using marker strips or direct printing



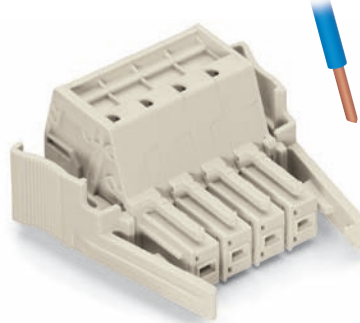
* Further approvals with corresponding ratings can be found at www.wago.com

MULTI CONNECTION SYSTEM MAXI

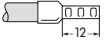
Female Connectors, 100% Protected against Mismatching, Pin Spacing 7.62 mm / 0.3 in



Pin spacing 7.62 mm/0.3 in, light grey 0.5 – 6 (10) mm ² ① AWG 20 – 8 800 V/8 kV/3 300/600 V, 42/5 A I _N 41 A	Pin spacing 7.62 mm/0.3 in, light grey 0.5 – 6 (10) mm ² ① AWG 20 – 8 800 V/8 kV/3 300/600 V, 42/5 A I _N 41 A
---	---



① can be connected:
 0.5 mm² – 10 mm² "s + f-st";
 can be pushed in directly: 1.5 mm² – 10 mm² "s" and
 1.5 mm² – 6 mm² "insulated ferrule, 12 mm/0.472 in"



No. of poles	Item No.	No. of poles	Item No.
Female connectors with CAGE CLAMP[®]S connection, 100% protected against mismatching, with coding fingers, light grey		Female connectors with CAGE CLAMP[®]S connection and locking device, 100% protected against mismatching, with coding fingers, light grey	
2	831-3102	2	831-3102/037-000
3	831-3103	3	831-3103/037-000
4	831-3104	4	831-3104/037-000
5	831-3105	5	831-3105/037-000
6	831-3106	6	831-3106/037-000
7	831-3107	7	831-3107/037-000
8	831-3108	8	831-3108/037-000

Accessories

Test plug, with cable 500 mm/1'7.7" 2 mm/0.079 in Ø, red 210-136	Test plug, with cable 500 mm/1'7.7" 2 mm/0.079 in Ø, red 210-136
Marker card, 80 self-adhesive strips per card Height of marker strip 5 mm/0.197 in Marking 1 – 16 (100 x) 210-334/0762-0202 For direct printing, please contact factory	Marker card, 80 self-adhesive strips per card Height of marker strip 5 mm/0.197 in Marking 1 – 16 (100 x) 210-334/0762-0202 For direct printing, please contact factory
Marker strip, white, plain, on roll for center marking 11 mm/0.039 in wide 50 m 2009-110 300 m 2009-130	Marker strip, white, plain, on roll for center marking 11 mm/0.039 in wide 50 m 2009-110 300 m 2009-130
Screwdriver with partially insulated shaft, (5.5 x 0.8) mm / (0.217 x 0.031) in 210-621	Screwdriver with partially insulated shaft, (5.5 x 0.8) mm / (0.217 x 0.031) in 210-621

Dimensions (in mm) L = (No. of poles - 1) x pin spacing + 9.5 mm L1 = L + 24.8 mm

