



MULTI CONNECTION SYSTEM **MAXI**

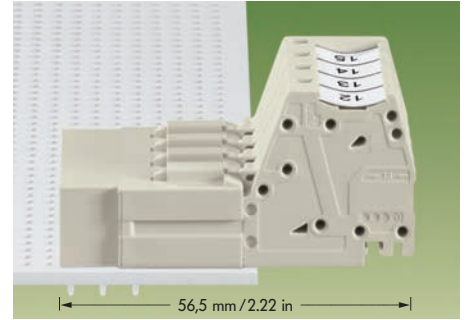
Headers with Solder Pins, **100 % Protected against Mismatching,** Pin Spacing **7.62 mm / 0.3 in**

Pin spacing **7.62 mm/0.3 in**, light grey
500 V/6 kV/3 | 300/600 V, 42/5 A 
I_N 41 A

Pin spacing **7.62 mm/0.3 in**, light grey
500 V/6 kV/3 | 300/600 V, 42/5 A 
I_N 41 A

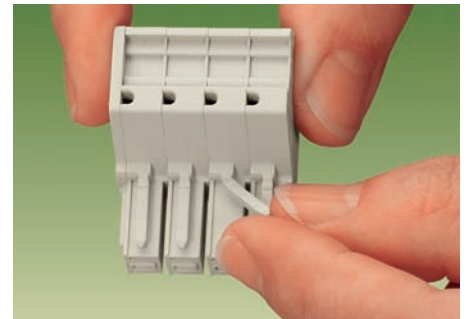
* 

* 

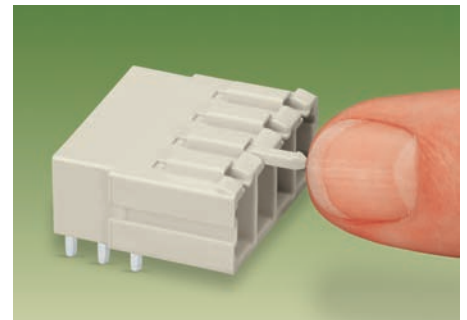


No. of poles	Item No.	No. of poles	Item No.
Headers with straight solder pins, 100 % protected against mismatching,		Headers with right angle solder pins, 100 % protected against mismatching,	
light grey,		light grey,	
3 x solder pins	1 mm x 1.2 mm	3 x solder pins	1 mm x 1.2 mm
2	831-3602	2	831-3622
3	831-3603	3	831-3623
4	831-3604	4	831-3624
5	831-3605	5	831-3625
6	831-3606	6	831-3626
7	831-3607	7	831-3627
8	831-3608	8	831-3628

Note:
On request, headers with straight solder pins are also available with protection against positioning error on the PCB

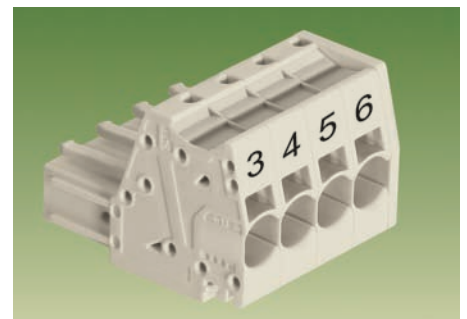
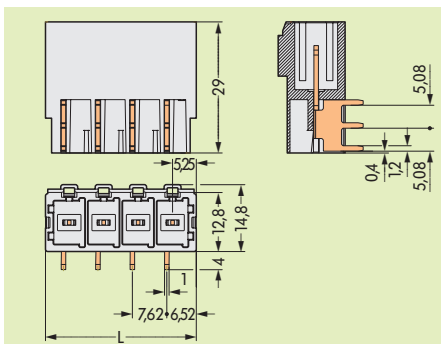
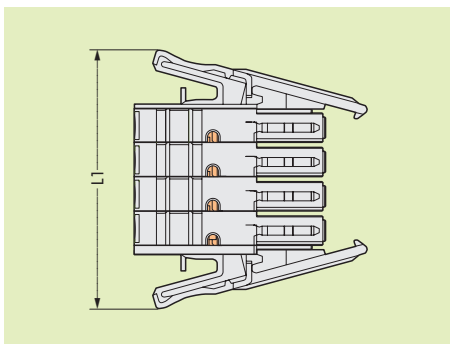


Break or cut-off coding pin on the female connector . . .



. . . Fit the coding pin into the connector (break first) so that the pin engages

Dimensions (in mm) Diameter of drilled hole: 1.7^{+0.1} mm **L** = (No. of poles - 1) x pin spacing + 10.5 mm



Printed female connector on request

* Further approvals with corresponding ratings can be found at www.wago.com

MULTI CONNECTION SYSTEM MAXI

Male Connectors, 100% Protected against Mismatching, Pin Spacing 7.62 mm / 0.3 in



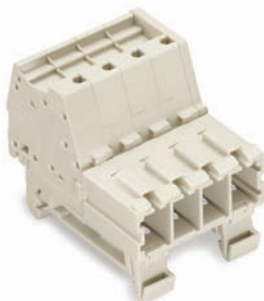
VOLUME 2

Pin spacing 7.62 mm/0.3 in, light grey
0.5 – 6 (10) mm² ① AWG 20 – 8
800 V/8 kV/3 300/600 V, 42/5 A
I_N 41 A

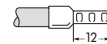
Pin spacing 7.62 mm/0.3 in, light grey
0.5 – 6 (10) mm² ① AWG 20 – 8
800 V/8 kV/3 300/600 V, 42/5 A
I_N 41 A

*

*



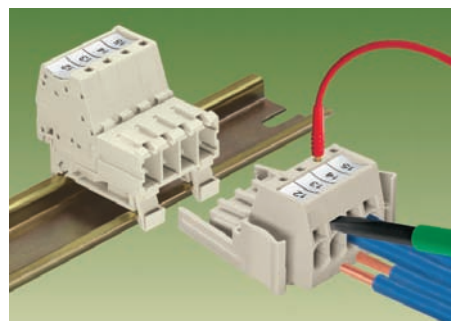
① can be connected:
0.5 mm² – 10 mm² "s + f-st";
can be pushed in directly: 1.5 mm² – 10 mm² "s" and
1.5 mm² – 6 mm² "insulated ferrule, 12 mm/0.472 in"



No. of poles	Item No.	No. of poles	Item No.
Male connectors with CAGE CLAMP[®]S connection, 100% protected against mismatching, with coding fingers, light grey		Male connectors with CAGE CLAMP[®]S connection, for DIN 35 rail mounting, 100% protected against mismatching, with coding fingers, light grey	
2	831-3202	2	831-3202/007-000
3	831-3203	3	831-3203/007-000
4	831-3204	4	831-3204/007-000
5	831-3205	5	831-3205/007-000
6	831-3206	6	831-3206/007-000
7	831-3207	7	831-3207/007-000
8	831-3208	8	831-3208/007-000

Accessories

	Test plug , with cable 500 mm/1'7.7" Ø 2 mm/0.079 in, red 210-136		Test plug , with cable 500 mm/1'7.7" Ø 2 mm/0.079 in, red 210-136
	Marker card , 80 self-adhesive strips per card Height of marker strip 5 mm/0.197 in Marking 1 – 16 (100 x) 210-334/0762-0202 For direct printing, please contact factory		Marker card , 80 self-adhesive strips per card Height of marker strip 5 mm/0.197 in Marking 1 – 16 (100 x) 210-334/0762-0202 For direct printing, please contact factory
	Marker strip , white, plain, on roll for center marking 11 mm/0.039 in wide 50 m 2009-110 300 m 2009-130		Marker strip , white, plain, on roll for center marking 11 mm/0.039 in wide 50 m 2009-110 300 m 2009-130
	DIN 35 carrier rail adapter , for snap-fit mounting to male connectors with CAGE CLAMP [®] S connection 831-137		Screwdriver with partially insulated shaft , (5.5 x 0.8) mm / (0.217 x 0.031) in 210-621
Dimensions (in mm) L = (No. of poles - 1) x pin spacing + 9.5 mm			

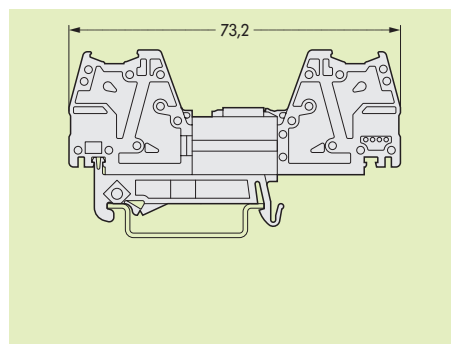
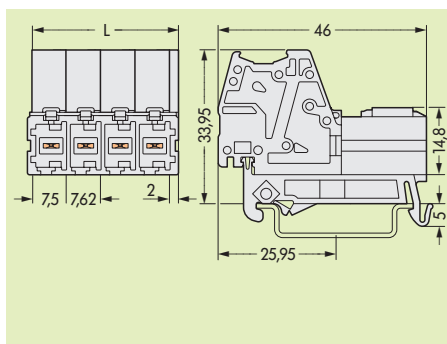
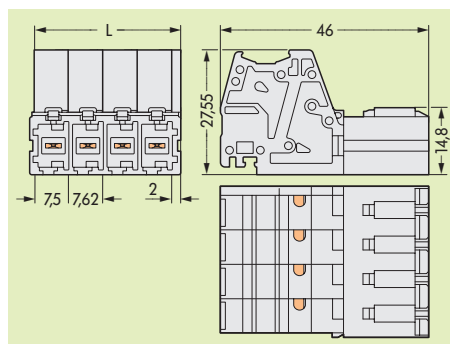


The new WAGO MULTI CONNECTION SYSTEM MAXI can be used as "high-power" sub-assemblies on carrier rails or printed circuit boards in such applications like drive technology, converters or power supply units.

Equipped with CAGE CLAMP[®]S connection up to AWG 10/ AWG 8 (6 mm²/10 mm²) ①, it handles a rated current of 41 A and has a pin spacing of 7.62 mm/0.3 in, which makes it ideally suited for such applications.

Product features

- 100 % protected against mismatching
- Coding without the loss of poles
- Male and female connectors with CAGE CLAMP[®]S connection for all conductor types
Additional benefit: Time-saving push-in wiring of fine-stranded wires with ferrules
- Vibration proof - fast - maintenance free
- Male and female connectors with separate test slot for test plugs Ø 2.3 mm/0.091 in
- Pole marking using marker strips or direct printing



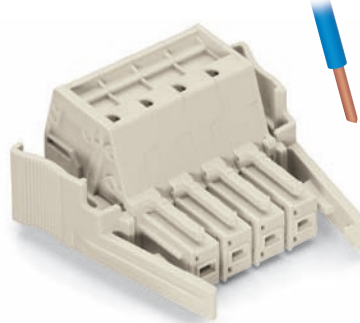
* Further approvals with corresponding ratings can be found at www.wago.com

MULTI CONNECTION SYSTEM MAXI

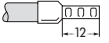
Female Connectors, 100% Protected against Mismatching, Pin Spacing 7.62 mm / 0.3 in



<p>Pin spacing 7.62 mm/0.3 in, light grey 0.5 – 6 (10) mm² ① AWG 20 – 8 800 V/8 kV/3 I_N 41 A</p>	<p>Pin spacing 7.62 mm/0.3 in, light grey 0.5 – 6 (10) mm² ① AWG 20 – 8 800 V/8 kV/3 I_N 41 A</p>	<p>300/600 V, 42/5 A </p> <p>300/600 V, 50/5 A </p>	<p>300/600 V, 42/5 A </p> <p>300/600 V, 50/5 A </p>
*	*		



① can be connected:
0.5 mm² – 10 mm² "s + f-st";
can be pushed in directly: 1.5 mm² – 10 mm² "s" and
1.5 mm² – 6 mm² "insulated ferrule, 12 mm/0.472 in"



No. of poles	Item No.	No. of poles	Item No.
Female connectors with CAGE CLAMP[®]S connection, 100% protected against mismatching, with coding fingers, light grey		Female connectors with CAGE CLAMP[®]S connection and locking device, 100% protected against mismatching, with coding fingers, light grey	
2	831-3102	2	831-3102/037-000
3	831-3103	3	831-3103/037-000
4	831-3104	4	831-3104/037-000
5	831-3105	5	831-3105/037-000
6	831-3106	6	831-3106/037-000
7	831-3107	7	831-3107/037-000
8	831-3108	8	831-3108/037-000

Accessories

<p>Test plug, with cable 500 mm/1'7.7" 2 mm/0.079 in Ø, red 210-136</p>	<p>Test plug, with cable 500 mm/1'7.7" 2 mm/0.079 in Ø, red 210-136</p>
<p>Marker card, 80 self-adhesive strips per card Height of marker strip 5 mm/0.197 in Marking 1 – 16 (100 x) 210-334/0762-0202 For direct printing, please contact factory</p>	<p>Marker card, 80 self-adhesive strips per card Height of marker strip 5 mm/0.197 in Marking 1 – 16 (100 x) 210-334/0762-0202 For direct printing, please contact factory</p>
<p>Marker strip, white, plain, on roll for center marking 11 mm/0.039 in wide 50 m 2009-110 300 m 2009-130</p>	<p>Marker strip, white, plain, on roll for center marking 11 mm/0.039 in wide 50 m 2009-110 300 m 2009-130</p>
<p>Screwdriver with partially insulated shaft, (5.5 x 0.8) mm / (0.217 x 0.031) in 210-621</p>	<p>Screwdriver with partially insulated shaft, (5.5 x 0.8) mm / (0.217 x 0.031) in 210-621</p>

Dimensions (in mm) L = (No. of poles - 1) x pin spacing + 9.5 mm L1 = L + 24.8 mm

