



# MULTI CONNECTION SYSTEM MAXI

## Male Connectors, 100% Protected against Mismatching, Pin Spacing 7.62 mm / 0.3 in



VOLUME 2

Pin spacing 7.62 mm/0.3 in, light grey  
0.5 – 6 (10) mm<sup>2</sup> ① AWG 20 – 8  
800 V/8 kV/3 300/600 V, 42/5 A   
I<sub>N</sub> 41 A

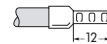
Pin spacing 7.62 mm/0.3 in, light grey  
0.5 – 6 (10) mm<sup>2</sup> ① AWG 20 – 8  
800 V/8 kV/3 300/600 V, 42/5 A   
I<sub>N</sub> 41 A

\*

\*



① can be connected:  
0.5 mm<sup>2</sup> – 10 mm<sup>2</sup> "s + f-st";  
can be pushed in directly: 1.5 mm<sup>2</sup> – 10 mm<sup>2</sup> "s" and  
1.5 mm<sup>2</sup> – 6 mm<sup>2</sup> "insulated ferrule, 12 mm/0.472 in"

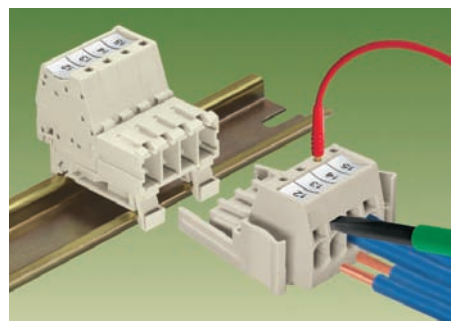
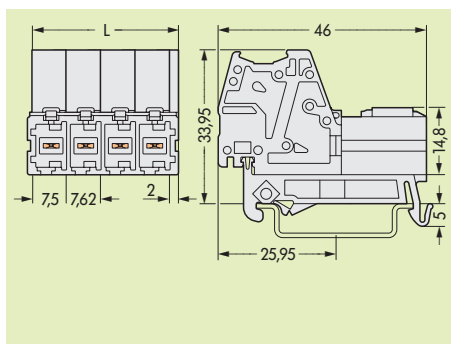
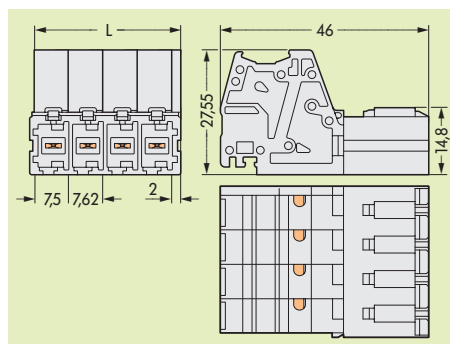


No. of poles	Item No.	No. of poles	Item No.
<b>Male connectors with CAGE CLAMP<sup>®</sup>S connection, 100% protected against mismatching, with coding fingers, light grey</b>		<b>Male connectors with CAGE CLAMP<sup>®</sup>S connection, for DIN 35 rail mounting, 100% protected against mismatching, with coding fingers, light grey</b>	
2	831-3202	2	831-3202/007-000
3	831-3203	3	831-3203/007-000
4	831-3204	4	831-3204/007-000
5	831-3205	5	831-3205/007-000
6	831-3206	6	831-3206/007-000
7	831-3207	7	831-3207/007-000
8	831-3208	8	831-3208/007-000

### Accessories

	<b>Test plug</b> , with cable 500 mm/1'7.7" Ø 2 mm/0.079 in, red <b>210-136</b>		<b>Test plug</b> , with cable 500 mm/1'7.7" Ø 2 mm/0.079 in, red <b>210-136</b>
	<b>Marker card</b> , 80 self-adhesive strips per card Height of marker strip 5 mm/0.197 in Marking 1 – 16 (100 x) <b>210-334/0762-0202</b> For direct printing, please contact factory		<b>Marker card</b> , 80 self-adhesive strips per card Height of marker strip 5 mm/0.197 in Marking 1 – 16 (100 x) <b>210-334/0762-0202</b> For direct printing, please contact factory
	<b>Marker strip</b> , white, plain, on roll for center marking 11 mm/0.039 in wide 50 m <b>2009-110</b> 300 m <b>2009-130</b>		<b>Marker strip</b> , white, plain, on roll for center marking 11 mm/0.039 in wide 50 m <b>2009-110</b> 300 m <b>2009-130</b>
	<b>DIN 35 carrier rail adapter</b> , for snap-fit mounting to male connectors with CAGE CLAMP <sup>®</sup> S connection <b>831-137</b>		<b>Screwdriver with partially insulated shaft</b> , (5.5 x 0.8) mm / (0.217 x 0.031) in <b>210-621</b>

**Dimensions (in mm)** L = (No. of poles - 1) x pin spacing + 9.5 mm

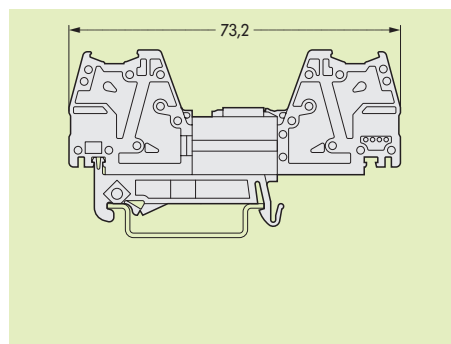


The new WAGO MULTI CONNECTION SYSTEM MAXI can be used as "high-power" sub-assemblies on carrier rails or printed circuit boards in such applications like drive technology, converters or power supply units.

Equipped with CAGE CLAMP<sup>®</sup>S connection up to AWG 10/ AWG 8 (6 mm<sup>2</sup>/10 mm<sup>2</sup>) ①, it handles a rated current of 41 A and has a pin spacing of 7.62 mm/0.3 in, which makes it ideally suited for such applications.

### Product features

- 100 % protected against mismatching
- Coding without the loss of poles
- Male and female connectors with CAGE CLAMP<sup>®</sup>S connection for all conductor types  
Additional benefit: Time-saving push-in wiring of fine-stranded wires with ferrules
- Vibration proof - fast - maintenance free
- Male and female connectors with separate test slot for test plugs Ø 2.3 mm/0.091 in
- Pole marking using marker strips or direct printing



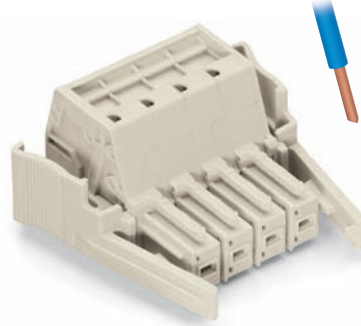
\* Further approvals with corresponding ratings can be found at [www.wago.com](http://www.wago.com)

# MULTI CONNECTION SYSTEM MAXI

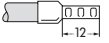
## Female Connectors, 100% Protected against Mismatching, Pin Spacing 7.62 mm / 0.3 in



<p>Pin spacing 7.62 mm/0.3 in, light grey 0.5 – 6 (10) mm<sup>2</sup> ① AWG 20 – 8 800 V/8 kV/3 I<sub>N</sub> 41 A</p>	<p>Pin spacing 7.62 mm/0.3 in, light grey 0.5 – 6 (10) mm<sup>2</sup> ① AWG 20 – 8 800 V/8 kV/3 I<sub>N</sub> 41 A</p>	<p>300/600 V, 42/5 A </p> <p>300/600 V, 50/5 A </p>	<p>300/600 V, 42/5 A </p> <p>300/600 V, 50/5 A </p>
*	*		



① can be connected:  
0.5 mm<sup>2</sup> – 10 mm<sup>2</sup> "s + f-st";  
can be pushed in directly: 1.5 mm<sup>2</sup> – 10 mm<sup>2</sup> "s" and  
1.5 mm<sup>2</sup> – 6 mm<sup>2</sup> "insulated ferrule, 12 mm/0.472 in"



No. of poles	Item No.	No. of poles	Item No.
<b>Female connectors with CAGE CLAMP<sup>®</sup>S connection, 100% protected against mismatching, with coding fingers, light grey</b>		<b>Female connectors with CAGE CLAMP<sup>®</sup>S connection and locking device, 100% protected against mismatching, with coding fingers, light grey</b>	
2	831-3102	2	831-3102/037-000
3	831-3103	3	831-3103/037-000
4	831-3104	4	831-3104/037-000
5	831-3105	5	831-3105/037-000
6	831-3106	6	831-3106/037-000
7	831-3107	7	831-3107/037-000
8	831-3108	8	831-3108/037-000

### Accessories

<p><b>Test plug, with cable 500 mm/1'77"</b> 2 mm/0.079 in Ø, red <b>210-136</b></p>	<p><b>Test plug, with cable 500 mm/1'77"</b> 2 mm/0.079 in Ø, red <b>210-136</b></p>
<p><b>Marker card,</b> 80 self-adhesive strips per card Height of marker strip 5 mm/0197 in Marking 1 – 16 (100 x) <b>210-334/0762-0202</b> For direct printing, please contact factory</p>	<p><b>Marker card,</b> 80 self-adhesive strips per card Height of marker strip 5 mm/0197 in Marking 1 – 16 (100 x) <b>210-334/0762-0202</b> For direct printing, please contact factory</p>
<p><b>Marker strip, white, plain, on roll</b> for center marking 11 mm/0.039 in wide 50 m <b>2009-110</b> 300 m <b>2009-130</b></p>	<p><b>Marker strip, white, plain, on roll</b> for center marking 11 mm/0.039 in wide 50 m <b>2009-110</b> 300 m <b>2009-130</b></p>
<p><b>Screwdriver with partially insulated shaft,</b> (5.5 x 0.8) mm / (0.217 x 0.031) in <b>210-621</b></p>	<p><b>Screwdriver with partially insulated shaft,</b> (5.5 x 0.8) mm / (0.217 x 0.031) in <b>210-621</b></p>

**Dimensions (in mm)** L = (No. of poles - 1) x pin spacing + 9.5 mm L1 = L + 24.8 mm

