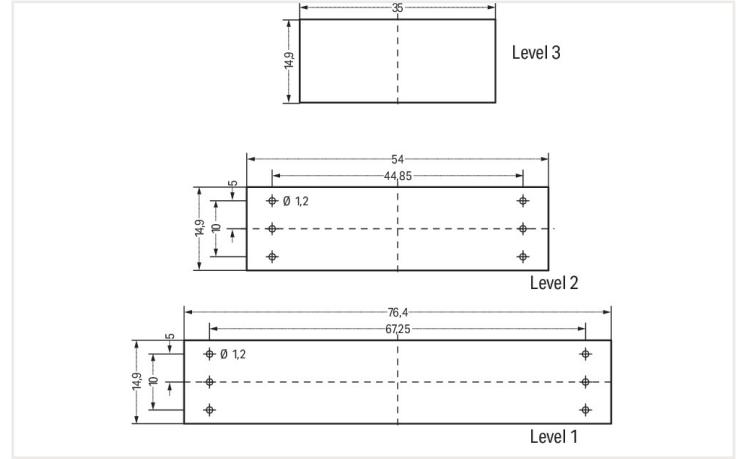
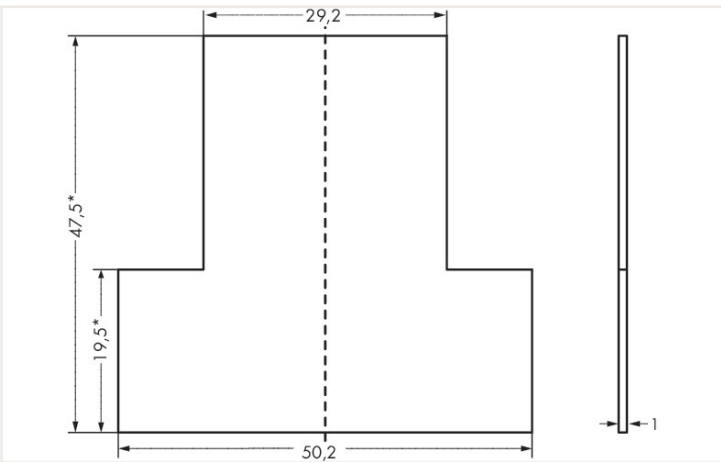


Color: ■ gray

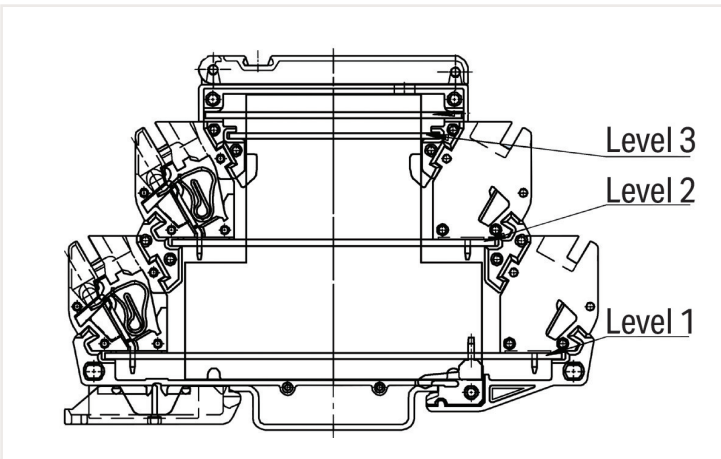
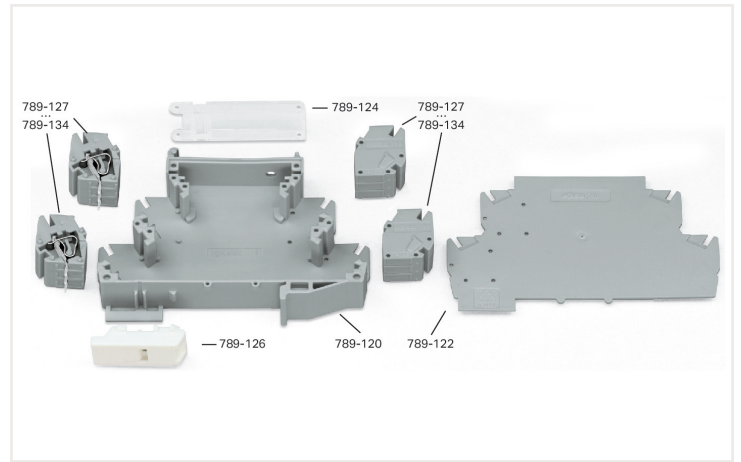


PCB dimensions, vertical mounting: (PCB thickness max. 1.5 mm) in level 1; (PCB thickness max. 1 mm) in level 2 and 3



PCB dimensions, horizontal mounting

*less 4.5 mm when mounting a vertical PCB on level 1



Universal modular component plug housing as rail-mount terminal block – 55 mm housing

Electrical data

Rated continuous current	6 A
--------------------------	-----

Safety and protection

Rated voltage	250 V
Rated surge voltage	4 kV
Pollution degree	3
Protection type	IP20

Connection data

Connection technology	CAGE CLAMP®
Solid conductor	0.2 ... 2.5 mm ² / 24 ... 14 AWG
Fine-stranded conductor	0.2 ... 2.5 mm ² / 24 ... 14 AWG
Strip length	9 ... 10 mm / 0.35 ... 0.39 inch

Physical data

Width	17.5 mm / 0.689 inch
Height	90 mm / 3.543 inch
Depth from upper-edge of DIN-rail	55 mm / 2.165 inch

Mechanical data

Housing design	DIN-rail-mount enclosure
Mounting type	DIN-35 rail
Mounting position	any

Material data

Color	gray
Flammability class per UL94	V0
Housing material	PA 6.6
Fire load	0.393 MJ
Weight	13.4 g

Environmental requirements

Ambient temperature (operation)	-25 ... +70 °C
Surrounding air temperature (storage)	-40 ... +85 °C

Commercial data

Product Group	6 (Interface Electronics)
eCl@ss 10.0	27-18-27-02
eCl@ss 9.0	27-18-27-02
ETIM 7.0	EC001031
ETIM 6.0	EC001031
PU (SPU)	25 (1) Stück
Packaging type	Box
Country of origin VKOrg Germany	DE
GTIN	4044918112840
Customs tariff number VKOrg Germany	85472000900

Downloads

Environmental Product Compliance

Compliance Search			
Environmental Product Compliance 789-120			↓

Documentation

Additional Information			
Disposal; Electrical and electronic equipment, Packaging	V 1.0.0	pdf 259.56 KB	↓

CAD/CAE-Data

CAD data	
2D/3D Models 789-120	↓

CAE data	
EPLAN Data Portal 789-120	↓
WSCAD Universe 789-120	↓
ZUKEN Portal 789-120	↓

1 Compatible products

1.1 Optional accessories

1.1.1 Cover

1.1.1.1 DIN-rail-mount enclosure



[Item no.: 789-124](#)
Transparent cover; transparent

1.1.2 Ferrule

1.1.2.1 Ferrule



[Item no.: 216-241](#)
Ferrule; Sleeve for 0.5 mm² / 20 AWG; insulated; electro-tin plated; electrolytic copper; gastight crimped; acc. to DIN 46228, Part 4/09.90; white



[Item no.: 216-242](#)
Ferrule; Sleeve for 0.75 mm² / 18 AWG; insulated; electro-tin plated; electrolytic copper; gastight crimped; acc. to DIN 46228, Part 4/09.90; gray



[Item no.: 216-243](#)
Ferrule; Sleeve for 1 mm² / AWG 18; insulated; electro-tin plated; electrolytic copper; gastight crimped; acc. to DIN 46228, Part 4/09.90; red



[Item no.: 216-244](#)
Ferrule; Sleeve for 1.5 mm² / AWG 16; insulated; electro-tin plated; electrolytic copper; gastight crimped; acc. to DIN 46228, Part 4/09.90; black

1.1.3 Installation

1.1.3.1 DIN-rail-mount enclosure



Item no.: 789-126
Release mechanism; white

Item no.: 789-122
Top cover 55 mm; gray

1.1.4 Jumper

1.1.4.1 Jumper



Item no.: 789-112
Jumper; 12-way; silver-colored

1.1.5 Marking

1.1.5.1 Marker



Item no.: 2009-145
Mini-WSB Inline; for Smart Printer; 1700 pieces on roll; stretchable 5 - 5.2 mm; plain; snap-on type; white



Item no.: 248-502
Mini-WSB marking card; as card; MARKED; 1 ... 10 (10x); not stretchable; Horizontal marking; snap-on type; white



Item no.: 248-566
Mini-WSB marking card; as card; MARKED; 1 ... 50 (2x); not stretchable; Horizontal marking; snap-on type; white



Item no.: 248-503
Mini-WSB marking card; as card; MARKED; 11 ... 20 (10x); not stretchable; Horizontal marking; snap-on type; white



Item no.: 248-506
Mini-WSB marking card; as card; MARKED; 41 ... 50 (10x); not stretchable; Horizontal marking; snap-on type; white



Item no.: 248-452
Mini-WSB marking card; as card; MARKED; K (100x); not stretchable; Horizontal marking; snap-on type; white



Item no.: 248-450
Mini-WSB marking card; as card; MARKED; K1 - K10 (10x); not stretchable; Horizontal marking; snap-on type; white



Item no.: 248-451
Mini-WSB marking card; as card; MARKED; K11 - K20 (10x); not stretchable; Horizontal marking; snap-on type; white



Item no.: 248-455
Mini-WSB marking card; as card; MARKED; U 100 (10x); not stretchable; Horizontal marking; snap-on type; white



Item no.: 248-453
Mini-WSB marking card; as card; MARKED; U1, ... U10 (10x); not stretchable; Horizontal marking; snap-on type; white



Item no.: 248-454
Mini-WSB marking card; as card; MARKED; U11 - U20 (10x); not stretchable; Horizontal marking; snap-on type; white



Item no.: 248-501
Mini-WSB marking card; as card; not stretchable; plain; snap-on type; white

1.1.5.2 Marking devices



Item no.: 210-110
Fiber-tip pen

1.1.6 Terminal blocks

1.1.6.1 DIN-rail-mount enclosure



Item no.: 789-134
PCB terminal block; 2.5 mm²; Pin spacing 5 mm; 1-pole; CAGE CLAMP®; 2,50 mm²; gray



Item no.: 789-132
PCB terminal block; 2.5 mm²; Pin spacing 5 mm; 2,50 mm²; gray



Item no.: 789-130
PCB terminal block; 2.5 mm²; Pin spacing 5 mm; 2-pole; CAGE CLAMP®; 2,50 mm²; gray



Item no.: 789-127
PCB terminal block; 2.5 mm²; Pin spacing 5 mm; 3-pole; CAGE CLAMP®; 2,50 mm²; gray



Item no.: 789-128
PCB terminal block; 2.5 mm²; Pin spacing 5 mm; 3-pole; CAGE CLAMP®; 2,50 mm²; gray



Item no.: 789-129
PCB terminal block; 2.5 mm²; Pin spacing 5 mm; 3-pole; CAGE CLAMP®; 2,50 mm²; gray



Item no.: 789-131
PCB terminal block; 2.5 mm²; Pin spacing 5 mm; 3-pole; CAGE CLAMP®; 2,50 mm²; gray



Item no.: 789-133
PCB terminal block; 2.5 mm²; Pin spacing 5 mm; 3-pole; CAGE CLAMP®; 2,50 mm²; gray

1.1.7 Tool

1.1.7.1 Operating tool



Item no.: 210-720

Operating tool; Blade: 3.5 x 0.5 mm; with a partially insulated shaft; multicoloured