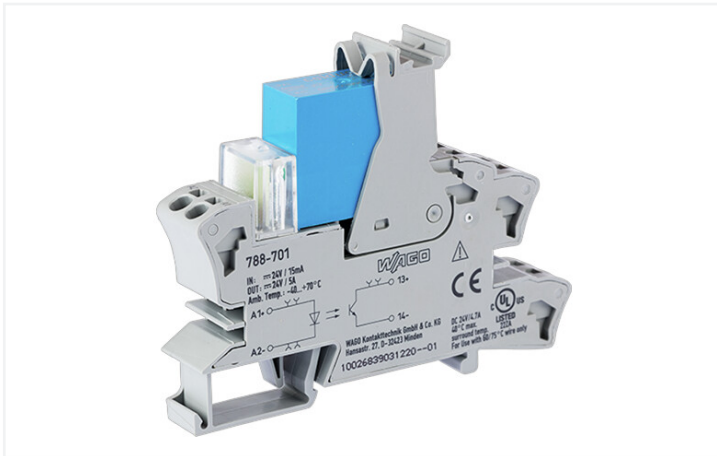


Data Sheet | Item Number: 788-701

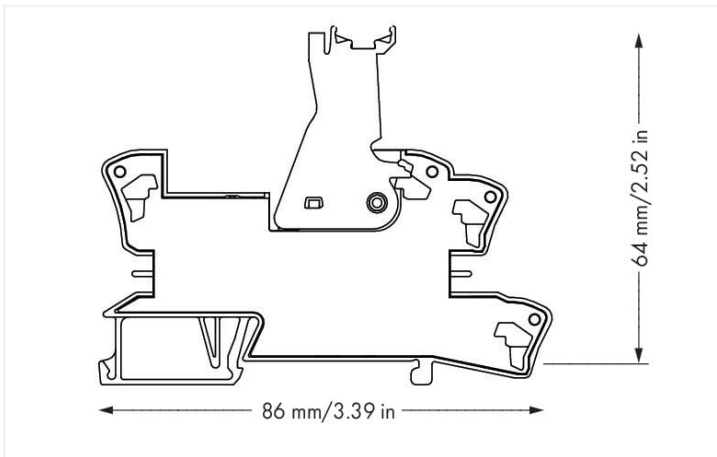
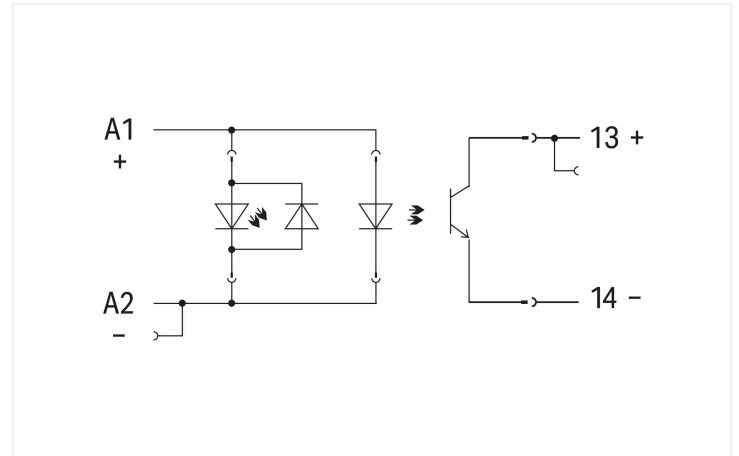
Solid-state relay module; Nominal input voltage: 24 VDC; Output voltage range: 3 ... 30 VDC; Limiting continuous current: 5 A; 2-wire connection; Red status indicator; Module width: 15 mm; gray



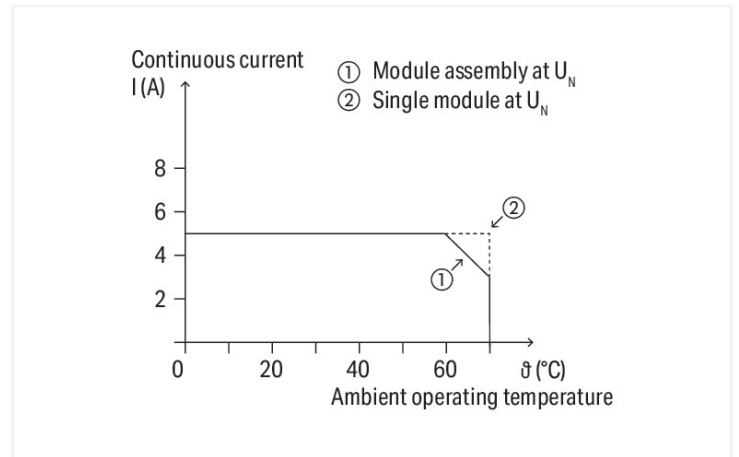
<https://www.wago.com/788-701>



Color: ■ gray



Dimensions in mm



Current-carrying capacity curve

Notes

Note

Optocouplers and solid state relays are designed for use in signal processing networks that are not supplied directly by the low-voltage power supply network.

Technical data

Control circuit

Nominal input voltage U_N	DC 24 V
Input voltage range (low level)	DC 0 ... 2.5 V
Input voltage range (high level)	DC 15 ... 30 V
Nominal input current at U_N	10 mA

Load circuit

Circuit type	2-wire connection
Limiting continuous current	5 A
Nominal output voltage	DC 24 V
Output voltage range	DC 0 ... 30 V
Voltage drop	≤ 0.3 VDC
Turn-on time	≤ 50 μ s
Turn-off time	≤ 600 μ s
Switching frequency	≤ 100 Hz

Signaling

Status indicator	Red LED
------------------	---------

Safety and protection

Pollution degree	2
Dielectric strength (control/load circuit) (AC, 1 min)	2.5 kVrms
Protection type	IP20

Connection data

Connection technology	Push-in CAGE CLAMP®
Solid conductor	0.34 ... 2.5 mm ² / 22 ... 14 AWG
Fine-stranded conductor	0.34 ... 2.5 mm ² / 22 ... 14 AWG
Strip length	9 ... 10 mm / 0.35 ... 0.39 inches

Physical data

Width	15 mm / 0.591 inches
Height	86 mm / 3.386 inches
Depth from upper-edge of DIN-rail	64 mm / 2.52 inches

Mechanical data

Mounting type	DIN-35 rail
---------------	-------------

Material data

Note (material data)	Information on material specifications can be found here
Color	gray
Fire load	0.681 MJ
Weight	47 g

Environmental requirements

Ambient temperature (operation at U _N)	-40 ... +70 °C
Ambient temperature UL (operation at U _N)	-40 ... +40 °C
Ambient temperature (storage)	-40 ... +70 °C
Processing temperature	-25 ... +50 °C
Temperature range of connection cable	≥ (T _{ambient} + 20 K)

Standards and specifications

Standards/specifications	EN 61000-6-2 EN 61000-6-3 EN 61373 EN 61010-2-201 UL 508 (max. 40 °C/4.7 A)
--------------------------	---

Basic relay	
WAGO Basic Relay	788-751

Commercial data	
Product Group	6 (INTERFACE ELECTRONIC)
eCl@ss 10.0	27-26-15-03
eCl@ss 9.0	27-26-15-03
ETIM 8.0	EC001504
ETIM 7.0	EC001504
PU (SPU)	15 (1) pcs
Packaging type	Box
Country of origin	DE
GTIN	4045454743871
Customs tariff number	85365005000

Environmental Product Compliance	
RoHS Compliance Status	Compliant, No Exemption

Approvals / Certificates

General approvals			Declarations of conformity and manufacturer's declarations		
Approval	Standard	Certificate Name	Approval	Standard	Certificate Name
UL Underwriters Laboratories Inc. (ORDINARY LOCATIONS)	UL 508	E175199 Vol.1 Sec.6	EU-Declaration of Conformity WAGO GmbH & Co. KG	-	-

Downloads

Environmental Product Compliance	
Compliance Search	
Environmental Product Compliance 788-701	↓

Documentation

Bid Text				Instruction Leaflet			
788-701	19.02.2019	xml 4.09 KB	↓	Sockets with Elementary Relay/ SSR	V 1.0.1 09.10.2020	pdf 2271.22 KB	↓
788-701	20.02.2019	docx 15.53 KB	↓				

CAD/CAE-Data

CAD data

2D/3D Models 788-701



CAE data

EPLAN Data Portal
788-701



WSCAD Universe
788-701



ZUKEN Portal 788-701



1 Compatible Products

1.1 Optional Accessories

1.1.1 Ferrule

1.1.1.1 Ferrule



[Item No.: 216-241](#)

Ferrule; Sleeve for 0.5 mm² / 20 AWG; insulated; electro-tin plated; electrolytic copper; gastight crimped; acc. to DIN 46228, Part 4/09.90; white

[Item No.: 216-242](#)

Ferrule; Sleeve for 0.75 mm² / 18 AWG; insulated; electro-tin plated; electrolytic copper; gastight crimped; acc. to DIN 46228, Part 4/09.90; gray

[Item No.: 216-243](#)

Ferrule; Sleeve for 1 mm² / AWG 18; insulated; electro-tin plated; electrolytic copper; gastight crimped; acc. to DIN 46228, Part 4/09.90; red

[Item No.: 216-244](#)

Ferrule; Sleeve for 1.5 mm² / AWG 16; insulated; electro-tin plated; electrolytic copper; gastight crimped; acc. to DIN 46228, Part 4/09.90; black



[Item No.: 216-542](#)

Twin ferrule; Sleeve for 2 x 1 mm² / AWG 2 x 18; red, insulated; 12 mm long; red

1.1.2 Indicators

1.1.2.1 Status indication



[Item No.: 788-120](#)

Accessories for relay modules; Operation status indicator: red; Nominal operating voltage: 24 VDC

1.1.3 Jumper

1.1.3.1 Jumper



[Item No.: 788-118](#)

Jumper; for jumper slot; 2-way; from 1 to 3; insulated; light gray

[Item No.: 788-113](#)

Jumper; for jumper slot; 2-way; insulated; light gray

[Item No.: 859-402](#)

Jumper; for jumper slot; 2-way; insulated; light gray

[Item No.: 788-114](#)

Jumper; for jumper slot; 3-way; insulated; light gray



[Item No.: 788-115](#)

Jumper; for jumper slot; 4-way; insulated; light gray

[Item No.: 788-116](#)

Jumper; for jumper slot; 6-way; insulated; light gray

[Item No.: 788-117](#)

Jumper; for jumper slot; 8-way; insulated; light gray

1.1.4 Marking

1.1.4.1 Double marker carrier



Item No.: 209-128

Adaptor; gray

1.1.4.2 Group marker carrier



Item No.: 249-105

Group marker carrier; gray



Item No.: 209-145

Group marker carrier; white

1.1.4.3 Marker



Item No.: 209-183

Marker; white



Item No.: 793-502

WMB marking card; as card; MARKED; 1 ... 10 (10x); not stretchable; Horizontal marking; snap-on type; white



Item No.: 793-503

WMB marking card; as card; MARKED; 11 ... 20 (10x); not stretchable; Horizontal marking; snap-on type; white



Item No.: 793-504

WMB marking card; as card; MARKED; 21 ... 30 (10x); not stretchable; Horizontal marking; snap-on type; white



Item No.: 793-505

WMB marking card; as card; MARKED; 31 ... 40 (10x); not stretchable; Horizontal marking; snap-on type; white



Item No.: 793-501

WMB marking card; as card; not stretchable; plain; snap-on type; white



Item No.: 2009-115

WMB-Inline; for Smart Printer; 1500 pieces on roll; stretchable 5 - 5.2 mm; plain; snap-on type; white

1.1.4.4 Marking device



Item No.: 210-110

Fiber-tip pen

1.1.4.5 Marking strip



Item No.: 2009-110

Marking strips; for Smart Printer; on reel; not stretchable; plain; snap-on type; white

1.1.4.6 Protective marker cover



Item No.: 209-184

Protection cover; transparent

1.1.5 Tool

1.1.5.1 Operating tool

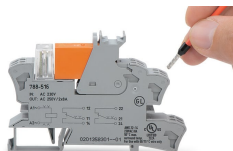


Item No.: 210-720

Operating tool; Blade: 3.5 x 0.5 mm; with a partially insulated shaft; multicoloured

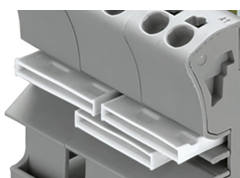
Installation Notes

Conductor termination



Conductor termination

Commoning



Easy commoning using adjacent jumpers

Marking



Marking using WMB Multi markers and group marker carriers.