

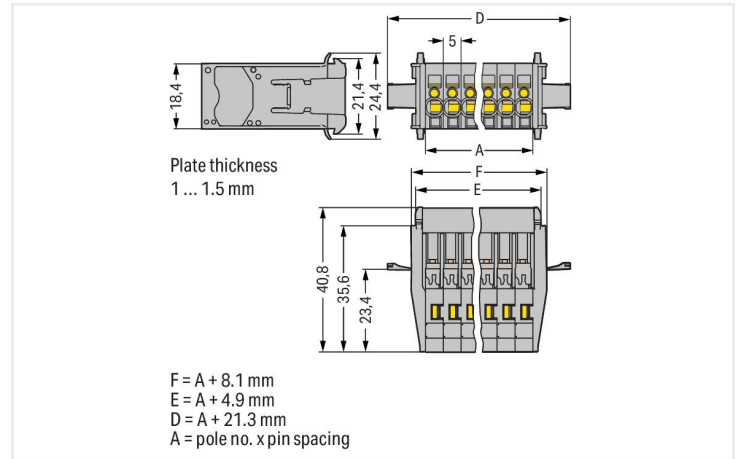
Data sheet | Item number: 769-614/005-000

1-conductor male connector; CAGE CLAMP®; 4 mm²; Pin spacing 5 mm; 14-pole;
Snap-in flange; 4,00 mm²; gray

<https://www.wago.com/769-614/005-000>



Color: ■ gray



Dimensions in mm

Electrical data

Ratings per IEC/EN

Nominal voltage (III/3)	500 V
Rated impulse voltage (III/3)	6 kV
Rated current	32 A
Legend (ratings)	(III / 3) ≙ Overvoltage category III / Pollution degree 3

Connection data

Total number of connection points	14
Total number of potentials	14

Connection 1

Connection technology	CAGE CLAMP®
Actuation type	Operating tool
Connectable conductor materials	Copper
Nominal cross-section	4 mm ² / 12 AWG
Solid conductor	0.08 ... 4 mm ² / 28 ... 12 AWG
Fine-stranded conductor	0.08 ... 4 mm ² / 28 ... 12 AWG
Strip length	8 ... 9 mm / 0.31 ... 0.35 inch
Pole number	14
Wiring direction	Front-entry wiring

Physical data

Pin spacing	5 mm / 0.197 inch
Width	91.3 mm / 3.594 inch
Height	24.4 mm / 0.961 inch
Depth	40.8 mm / 1.606 inch

Mechanical data

Variable coding	Yes
Direct ground contact to DIN-rail/drilled hole/housing	No
Mounting type	Snap-in flange

Plug-in connection

Contact type (pluggable connector)	Male connector/plug
Connector (connection type)	for conductor

Material data

Note (material data)	Information on material data can be found here
Color	gray
Insulation material	Polyamide (PA66)
Flammability class per UL94	V0
Fire load	0.854 MJ
Weight	42.5 g

Commercial data

Product Group	18 (X-COM-System)
eCl@ss 10.0	27-14-11-06
eCl@ss 9.0	27-14-11-06
ETIM 7.0	EC001284
ETIM 6.0	EC001284
PU (SPU)	10 Stück
Packaging type	Box
Country of origin VKOrg Germany	PL
GTIN	4044918854542
Customs tariff number VKOrg Germany	85366990990

Approvals and certificates

Country specific Approvals



Approval	Standard	Certificate name
CCA DEKRA Certification B.V.	EN 61984	2190419.02
CCA DEKRA Certification B.V.	IEC 61984	NL-47799/A1
CSA DEKRA Certification B.V.	C22.2 No. 158	1101144

UL-Approvals



Approval	Standard	Certificate name
UR Underwriters Laboratories Inc.	UL 1977	E45171
UR Underwriters Laboratories Inc.	UL 1059	E45172

Downloads

Environmental Product Compliance

Compliance Search	
Environmental Product Compliance 769-614/005-000	↓

Documentation

Additional Information		
Technical Section	pdf 2142.18 KB	↓

Bid Text				
769-614/005-000	19.02.2019	xml 3.15 KB	↓	
769-614/005-000	04.10.2017	doc 25.00 KB	↓	

CAD/CAE-Data

CAD data	
2D/3D Models 769-614/005-000	↓

CAE data	
EPLAN Data Portal 769-614/005-000	↓
WSCAD Universe 769-614/005-000	↓
ZUKEN Portal 769-614/005-000	↓

1 Compatible products

1.1 Optional accessories

1.1.1 Coding

1.1.1.1 Coding



Item no.: 769-435
Coding pin; for coding of female plugs; for carrier terminal blocks / male connectors; orange

1.1.2 Ferrule

1.1.2.1 Ferrule



Item no.: 216-201
Ferrule; Sleeve for 0.5 mm² / 20 AWG; insulated; electro-tin plated; white



Item no.: 216-101
Ferrule; Sleeve for 0.5 mm² / AWG 22; un-insulated; electro-tin plated; silver-colored



Item no.: 216-202
Ferrule; Sleeve for 0.75 mm² / 18 AWG; insulated; electro-tin plated; gray



Item no.: 216-102
Ferrule; Sleeve for 0.75 mm² / AWG 20; un-insulated; electro-tin plated; silver-colored



Item no.: 216-203
Ferrule; Sleeve for 1 mm² / AWG 18; insulated; electro-tin plated; red



Item no.: 216-103
Ferrule; Sleeve for 1 mm² / AWG 18; un-insulated; electro-tin plated



Item no.: 216-204
Ferrule; Sleeve for 1.5 mm² / AWG 16; un-insulated; electro-tin plated; black



Item no.: 216-104
Ferrule; Sleeve for 1.5 mm² / AWG 16; un-insulated; electro-tin plated; silver-colored

1.1.2.1 Ferrule



Item no.: 216-206

Ferrule; Sleeve for 2.5 mm² / AWG 14; insulated; electro-tin plated; blue

1.1.3 Insulation stop

1.1.3.1 Insulation stop



Item no.: 769-470

Insulation stop; 0.08 - 0.2 mm² "s" (0.14 mm² "f-st"); 5 pieces/strip; white



Item no.: 769-471

Insulation stop; 0.25 - 0.5 mm²; 5 pieces/strip; light gray



Item no.: 769-472

Insulation stop; 0.75 - 1 mm²; 5 pieces/strip; dark gray

1.1.4 Marking

1.1.4.1 Marker



Item no.: 248-501

Mini-WSB marking card; as card; not stretchable; plain; snap-on type; white

1.1.4.2 Marking strip



Item no.: 210-833

Marking strips; 25 m on roll; 6 mm wide; plain; Self-adhesive; white



Item no.: 210-831

Marking strips; on reel; 2.3 mm wide; plain; Self-adhesive; white



Item no.: 210-832

Marking strips; on reel; 3 mm wide; plain; Self-adhesive; white



Item no.: 210-834

Marking strips; on reel; 5 mm wide; plain; Self-adhesive; white

1.1.5 Protective warning marker

1.1.5.1 Cover



Item no.: 280-415

Protective warning marker; for 5 terminal blocks; with high-voltage symbol, black; yellow

1.1.6 Strain relief

1.1.6.1 Strain relief



Item no.: 769-414

Strain relief plate; gray

1.1.7 Tool

1.1.7.1 Operating tool



Item no.: 210-490

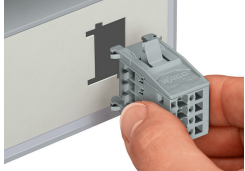
Operating tool

Item no.: 769-434

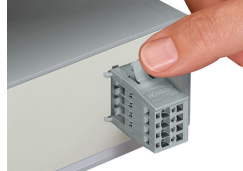
Push-button; loose

Installation notes

Installation



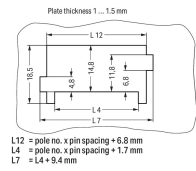
Insert a male connector with snap-in flanges (769-604/005-000) into the cutout.



Male connector with snap-in flanges
Tool-free assembly



Tool-free assembly



Cutout
Male connectors with CAGE CLAMP® connection (769-6xx/005-000) and snap-in flanges

Conductor termination



Operating tool
Inserting a conductor via operating tool (example shows a male connector).

Marking



Labeling a male connector with CAGE CLAMP® connection via Mini-WSB Quick Markers.