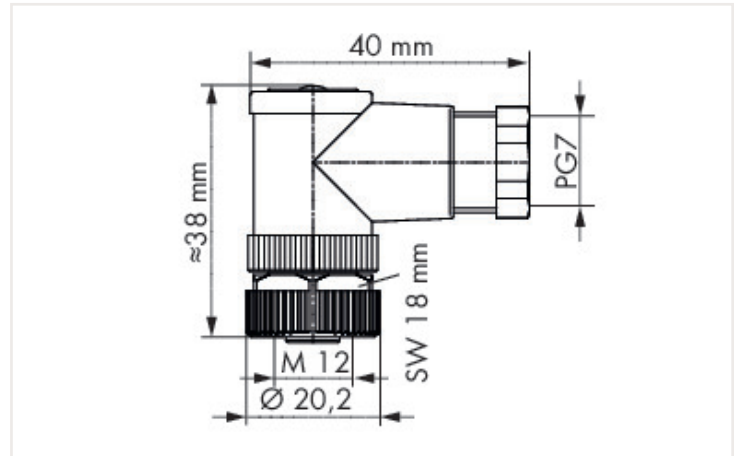


| : 756-9215/040-000

Fitted pluggable connector; 4-pole; M12 socket, right angle; Spring



<https://www.wago.com/756-9215/040-000>



Dimensions in mm

Technical data

Connection type	M12 Socket
Pole number	4
Cable connection direction to mating direction	90 °
Connector interface coding (cable/adapter) 1 1	A-coded

Connection data

Connection type 1	Spring clamp technology
Solid conductor	0.14 ... 0.5 mm ²

Mechanical data

Connectable sheathed cable diameter	4 ... 6 mm
Weight	25.3 g

Environmental requirements

Protection type	IP67
Fire load	0 MJ

Commercial data

eCl@ss 10.0	27-24-26-92
eCl@ss 9.0	27-24-26-92
ETIM 8.0	EC002584
ETIM 7.0	EC002584
PU (SPU)	5 (1) Stück
Packaging type	Box
Country of origin VKOrg Germany	DE
GTIN	4045454686130
Customs tariff number VKOrg Germany	85366990990

Downloads

Environmental Product Compliance

Compliance Search

Environmental Product
Compliance
756-9215/040-000



Documentation

System Description

IP67 Cables and Plug-
gable Connectors

pdf
157.80 KB



Bid Text

756-9215/040-000

20.09.2017

doc
24.00 KB



756-9215/040-000

19.02.2019

xml
2.69 KB



CAD/CAE-Data

CAE data

WSCAD Universe
756-9215/040-000

