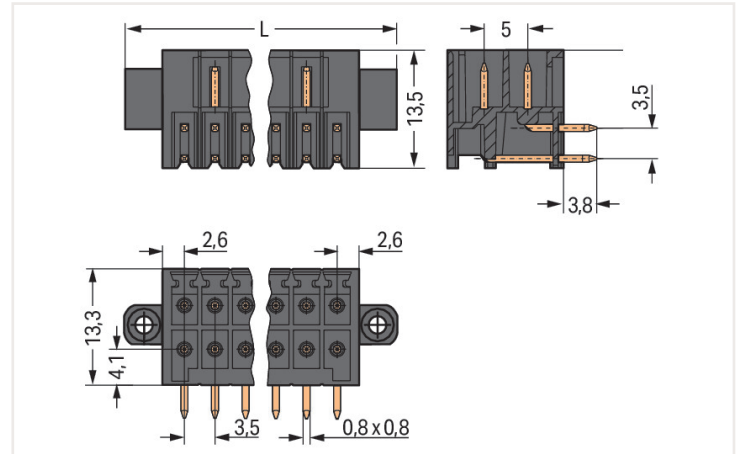


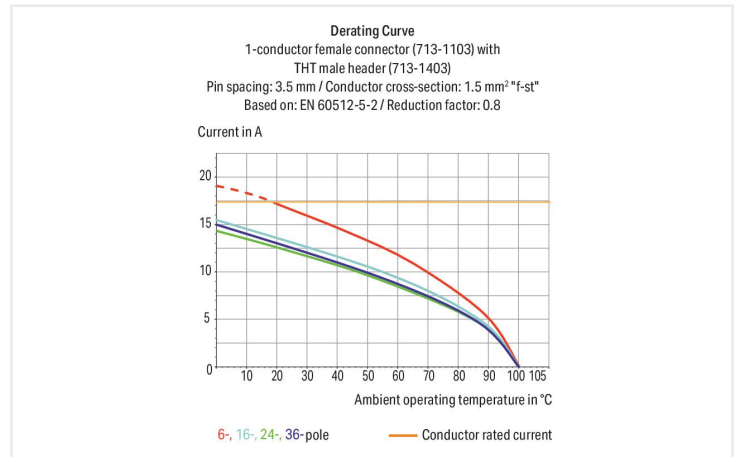
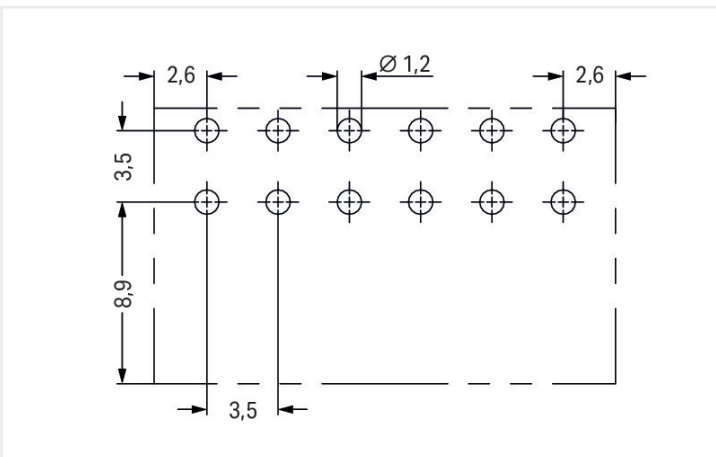
Data sheet | Item number: 713-1438/107-000

THT male header, 2-row; 0.8 x 0.8 mm solder pin; angled; 100% protected against mismatching; Threaded flange; Pin spacing 3.5 mm; 36-pole; black



Dimensions in mm

$$L = [(pole\ no./2) - 1] \times pin\ spacing + 13.6\ mm$$



- Male headers may be mounted horizontally or vertically via straight or angled solder pins
- Header housing is molded of THT-compatible insulation material for lead-free reflow soldering
- Separated pin slots prevent damage and make the headers touch-proof when unplugged
- 100% protected against mismatching
- Coding option available

Notes

Safety information 1

Variants:

The MCS – MULTI CONNECTION SYSTEM includes connectors without breaking capacity in accordance with DIN EN 61984. When used as intended, these connectors must not be connected/disconnected when live or under load. When used as intended, these connectors must not be connected/disconnected when live or under load. The circuit design should ensure header pins, which can be touched, are not live when unmated.

Other pole numbers

Other solder pin lengths

Gold-plated or partially gold-plated contact surfaces

Other versions (or variants) can be requested from WAGO Sales or configured at <https://configurator.wago.com/>.

Electrical data

Ratings per IEC/EN

Ratings per	IEC/EN 60664-1
Nominal voltage (III/3)	80 V
Rated impulse voltage (III/3)	2.5 kV
Rated voltage (III/2)	160 V
Rated impulse voltage (III/2)	2.5 kV
Nominal voltage (II/2)	250 V
Rated surge voltage (II/2)	2.5 kV
Rated current	10 A
Legend (ratings)	(III / 2) $\hat{=}$ Overvoltage category III / Pollution degree 2

Ratings per CSA

Approvals per	CSA
Rated voltage CSA (Use Group B)	150 V
Rated current CSA (Use Group B)	12 A

Ratings per UL

Approvals per	UL 1059
Rated voltage UL (Use Group B)	150 V
Rated current UL (Use Group B)	10 A
Rated voltage UL (Use Group C)	50 V
Rated current UL (Use Group C)	10 A

Connection data

Total number of potentials	36
Number of connection types	1
Number of levels	2

Connection 1

Pole number	36
-------------	----

Physical data

Pin spacing	3.5 mm / 0.138 inches
Width	73.1 mm / 2.878 inches
Height	17.1 mm / 0.673 inches
Height from the surface	13.3 mm / 0.524 inches
Depth	13.5 mm / 0.531 inches
Solder pin length	3.8 mm
Solder pin dimensions	0.8 x 0.8 mm
Drilled hole diameter with tolerance	1.2 ^(+0.1) mm

Mechanical data

Variable coding	Yes
Anti-rotation protection	Yes

Plug-in connection

Contact type (pluggable connector)	Male connector/plug
Connector (connection type)	for PCB
Mismating protection	Yes
Plugging without loss of pin spacing	No
Mating direction to the PCB	0°
Locking of plug-in connection	Threaded flange

PCB contact

PCB contact	THT
Solder pin arrangement	over the entire male connector (in-line)
Number of solder pins per potential	1

Material data

Note (material data)	Information on material data can be found here
Color	black
Material group	I
Insulation material	Polyphthalamide (PPA GF)
Flammability class per UL94	V0
Contact material	Electrolytic copper (E _{Cu})
Contact plating	Tin
Fire load	0.193 MJ
Weight	10.2 g

Environmental requirements

Limit temperature range	-60 ... +100 °C
-------------------------	-----------------

Commercial data

Product Group	3 (Multi Conn. System)
eCl@ss 10.0	27-44-04-02
eCl@ss 9.0	27-44-04-02
ETIM 8.0	EC002637
ETIM 7.0	EC002637
PU (SPU)	10 Stück
Packaging type	Box
Country of origin VKOrg Germany	PL
GTIN	4045454809256
Customs tariff number VKOrg Germany	85366990990

Approvals and certificates

Country specific Approvals



Approval	Standard	Certificate name
CCA DEKRA Certification B.V.	EN 61984	2169947.01
CCA DEKRA Certification B.V.	IEC 61984	NL-30980
CSA DEKRA Certification B.V.	C22.2	2315087

UL-Approvals



Approval	Standard	Certificate name
UR Underwriters Laboratories Inc.	UL 1059	E45172

Downloads

Environmental Product Compliance

Compliance Search

Environmental Product
Compliance
713-1438/107-000



Documentation

Additional Information

Technical Section

03.04.2019

pdf

1949.09 KB



CAD/CAE-Data

CAD data

2D/3D Models
713-1438/107-000



CAE data

ZUKEN Portal
713-1438/107-000



1 Compatible products

1.1 System counterpart

1.1.1 Female connector/socket

**Item no.: 713-1118/107-000**

1-conductor female connector, 2-row;
CAGE CLAMP®; 1.5 mm²; Pin spacing 3.5
mm; 36-pole; 100% protected against
mismatching; Screw flange; 1,50 mm²; black

**Item no.: 713-1118/107-047**

1-conductor female connector, 2-row;
CAGE CLAMP®; 1.5 mm²; Pin spacing 3.5
mm; 36-pole; 100% protected against
mismatching; Screw flange; direct marking;
1,50 mm²; black

**Item no.: 713-1118/107-9037**

1-conductor female connector, 2-row;
CAGE CLAMP®; 1.5 mm²; Pin spacing 3.5
mm; 36-pole; 100% protected against
mismatching; Screw flange; direct marking;
1,50 mm²; black

**Item no.: 713-1118/107-047/035-000**

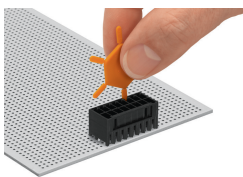
1-conductor female connector, 2-row;
CAGE CLAMP®; 1.5 mm²; Pin spacing 3.5
mm; 36-pole; 100% protected against
mismatching; Screw flange; Strain relief pla-
te; direct marking; 1,50 mm²; black

**Item no.: 713-1118/107-9037/035-000**

1-conductor female connector, 2-row; CA-
GE CLAMP®; 1.5 mm²; Pin spacing 3.5 mm;
36-pole; 100% protected against mismatch-
ing; Screw flange; Strain relief plate; direct
marking; 1,50 mm²; black

Installation notes

Coding



Coding a male header by inserting a co-
ding pin.

Subject to changes. Please also observe the further product documentation!

Current addresses can be found at: www.wago.com