

MULTI CONNECTION SYSTEM **MIDI**

Female Connectors with **CAGE CLAMP®**, Pin Spacing 7.62 mm / 0.3 in

<p>Pin spacing 7.62 mm/0.3 in, orange 0.08 – 2.5 mm² AWG 28 – 12 400 V/6 kV/3 300 V, 15 A 16 A 300 V, 15 A </p> <p> 8 – 9 mm / 0.33 in</p> <p>* </p>	<p>Pin spacing 7.62 mm/0.3 in, orange 0.08 – 2.5 mm² AWG 28 – 12 400 V/6 kV/3 300 V, 15 A 16 A 300 V, 15 A </p> <p> 8 – 9 mm / 0.33 in</p> <p>* </p>	<p>Pin spacing 7.62 mm/0.3 in, orange 0.08 – 2.5 mm² AWG 28 – 12 400 V/6 kV/3 300 V, 15 A 16 A 300 V, 15 A </p> <p> 8 – 9 mm / 0.33 in</p> <p>* </p>
--	--	--

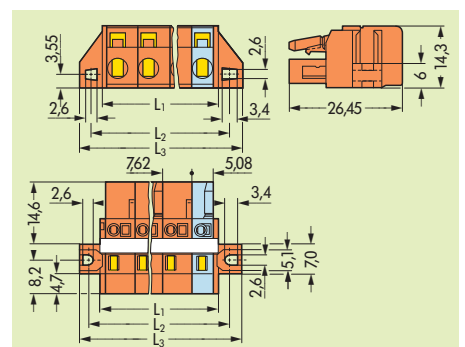
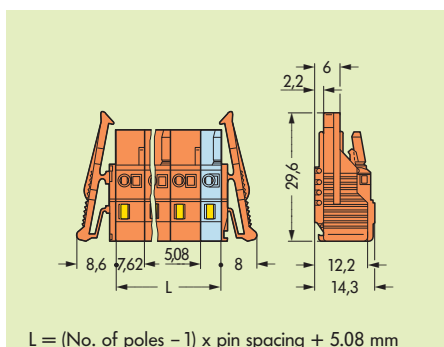
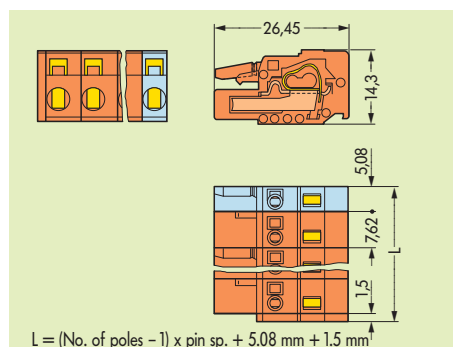


No. of poles	Item No.	No. of poles	Item No.	No. of poles	Item No.
Female connectors with CAGE CLAMP®,		Female connectors with CAGE CLAMP®		Female connectors with CAGE CLAMP® and fixing	
with coding fingers, with two latches, orange		and locking device, with coding fingers, with two latches, orange		flanges, for racks and feedthrough connections, with reinforcing strips, with coding fingers, with two latches, for screw fixing or similar methods, orange	
2 (one latch only)	231-702/026-000	2 (one latch only)	231-702/037-000	2	please use female connectors
3 (one latch only)	231-703/026-000	3 (one latch only)	231-703/037-000	3	for panel mounting
4	231-704/026-000	4	231-704/037-000	4	(item Nos. 231-702/031-000 to 231-705/031-000)
5	231-705/026-000	5	231-705/037-000	5	see page 7.59
6	231-706/026-000	6	231-706/037-000	6	231-706/027-000
7	231-707/026-000	7	231-707/037-000	7	231-707/027-000
8	231-708/026-000	8	231-708/037-000	8	231-708/027-000
9	231-709/026-000	9	231-709/037-000	9	231-709/027-000
10	231-710/026-000	10	231-710/037-000	10	231-710/027-000
11	231-711/026-000	11	231-711/037-000	11	231-711/027-000
12	231-712/026-000	12	231-712/037-000	12	231-712/027-000

Accessories

	<p>Test plug, w. cable 500 mm/1'7.7" 2 mm/0.079 in Ø, red 210-136 2.3 mm/0.091 in Ø, yel. 210-137</p>		<p>Test plug, w. cable 500 mm/1'7.7" 2 mm/0.079 in Ø, red 210-136 2.3 mm/0.091 in Ø, yel. 210-137</p>		<p>Test plug, w. cable 500 mm/1'7.7" 2 mm/0.079 in Ø, red 210-136 2.3 mm/0.091 in Ø, yel. 210-137</p>
	<p>Insulation stop, 5 pcs/strip 0.08 - 0.2 mm² (white) 231-673 0.25 - 0.5 mm² (light gr.) 231-674 0.75 - 1 mm² (dark grey) 231-675</p> <p> 0.2 mm² solid/0.14 mm² f-st</p>		<p>Insulation stop, 5 pcs/strip 0.08 - 0.2 mm² (white) 231-673 0.25 - 0.5 mm² (light gr.) 231-674 0.75 - 1 mm² (dark grey) 231-675</p> <p> 0.2 mm² solid/0.14 mm² f-st</p>		<p>Insulation stop, 5 pcs/strip 0.08 - 0.2 mm² (white) 231-673 0.25 - 0.5 mm² (light gr.) 231-674 0.75 - 1 mm² (dark grey) 231-675</p> <p> 0.2 mm² solid/0.14 mm² f-st</p>
	<p>Marker strips, self-adhesive 1-16 (100x) 210-331/0762-0202</p>		<p>Marker strips, self-adhesive 1-16 (100x) 210-331/0762-0202</p>		<p>Tapping screw, B 2.2 x 9.5 209-147 fixing hole Ø 1.8 mm</p>
					<p>Marker strips, self-adhesive 1-16 (100x) 210-331/0762-0202</p>

Dimensions (in mm) **A = (No. of poles - 1) x pin spacing** **L₁ = A + 5.08 mm + 3 mm** **L₂ = A + 5.08 mm + 8.8 mm** **L₃ = A + 5.08 mm + 14.8 mm**



* Approvals with corresponding ratings see pages 12.3 ff.