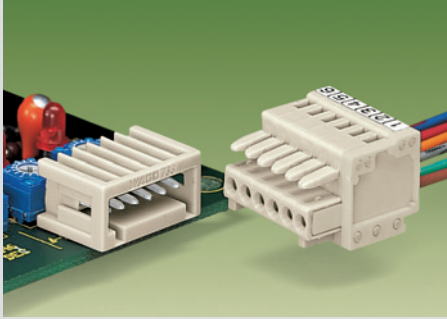


MULTI CONNECTION SYSTEM MICRO

Description and Handling

Protection against mismatching

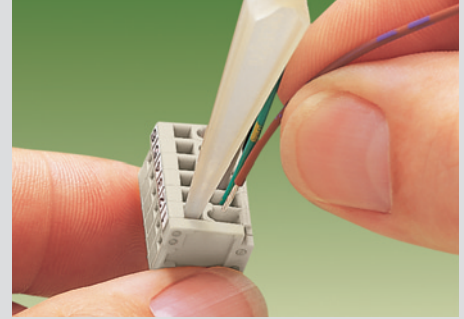


Headers, male and female connectors – 100% protected against mismatching

CAGE CLAMP® connection

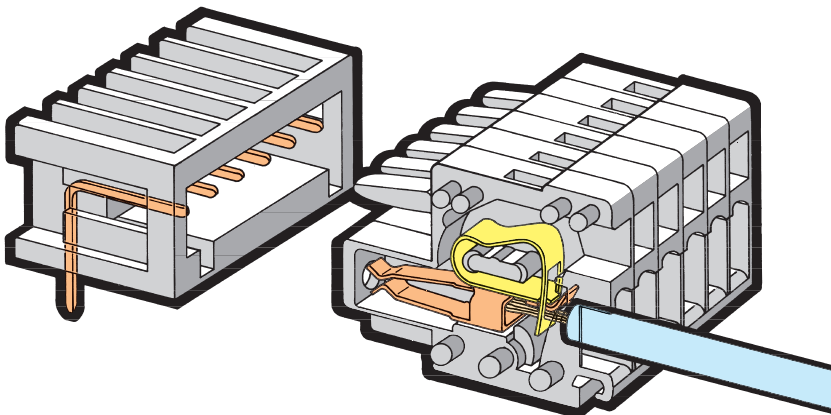


Connection of conductors – side-entry wiring – with screwdriver (2.5 x 0.4) mm



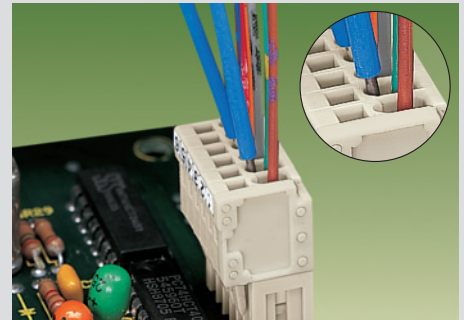
Connection of conductors – front-entry wiring Series 733 – with operating tool 233-332

100% protected against mismatching



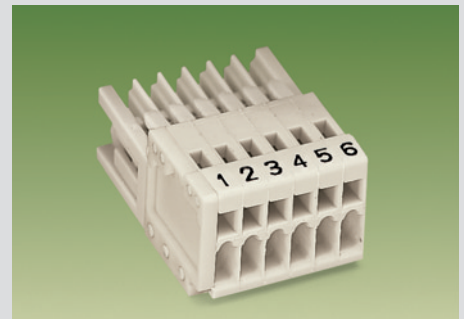
MICRO Pin spacing 2.5 mm/0.098 in, series 733

Testing



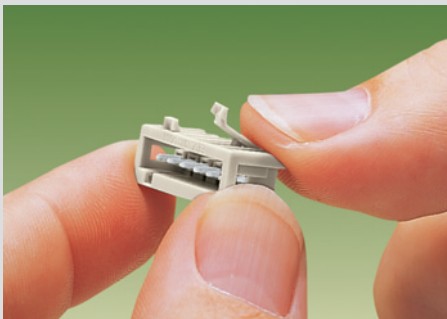
Testing with test probe 1 mm/0.039 in Ø Item No. 735-500

Marking

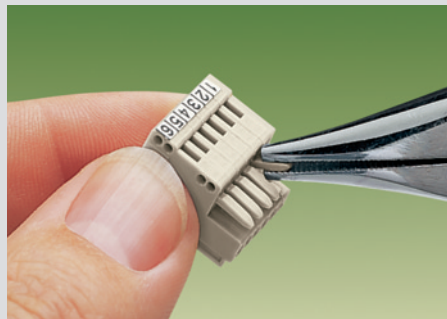


Marking with self-adhesive marker strips (customised printing on request)

Coding

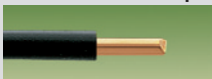


Coding of a header – fitting of coding key(s)

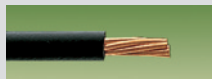


Coding of a female connector – removal of coding finger(s)

CAGE CLAMP® clamps the following copper wires:



solid



stranded

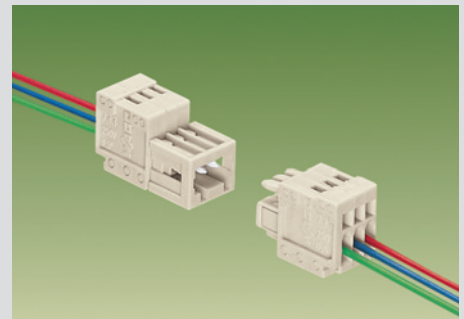


fine-stranded



tip bonded

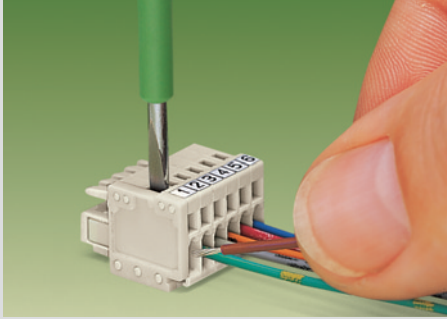
Application



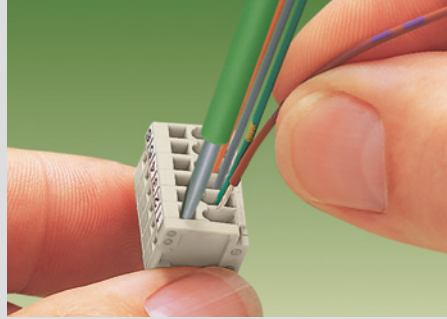
Example: flying lead

6 MULTI CONNECTION SYSTEM **MINI** Description and Handling

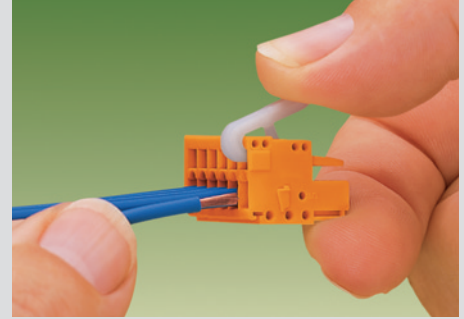
2 CAGE CLAMP® connection



Connection of conductors – side-entry wiring
– with screwdriver (2.5 x 0.4) mm

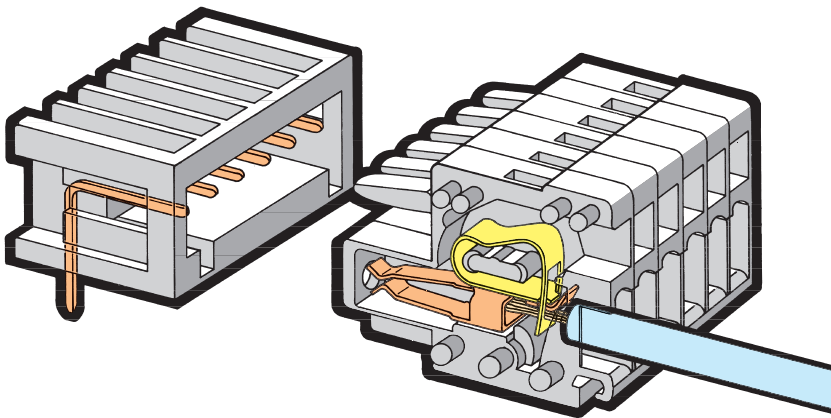


Connection of conductors – front-entry wiring
series 734 – with screwdriver (2.5 x 0.4) mm



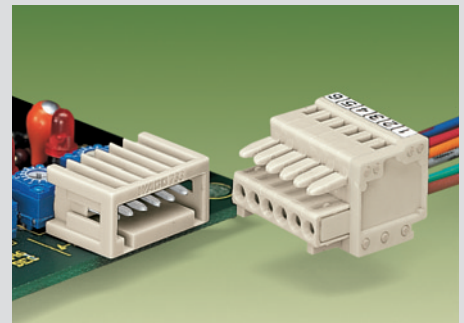
Connection of conductors – side-entry wiring
with snap-on lever

100 % protected against mismatching



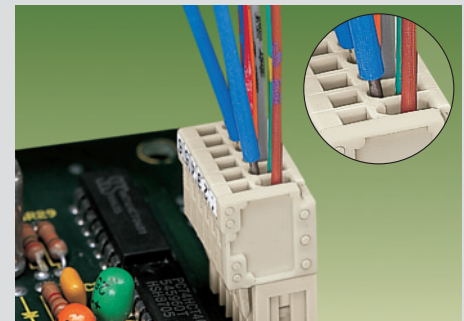
MINI Pin spacing 3.5 mm, series 734
3.81 mm, series 734

Protection against mismatching



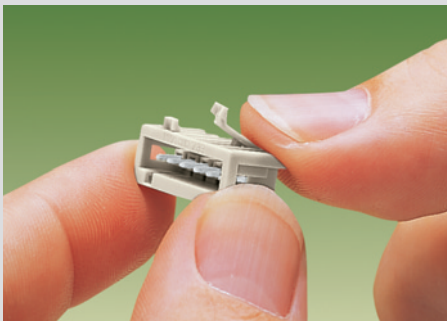
Headers, male and female connectors –
100 % protected against mismatching

Testing

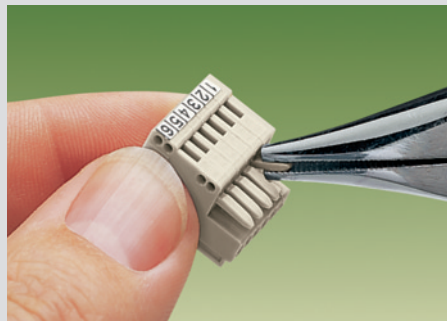


Testing with test probe 1 mm/0.039 in Ø
Item No. 735-500

Coding

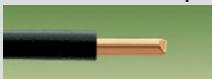


Coding of a header –
fitting of coding key(s)

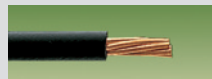


Coding of a female connector –
removal of coding finger(s)

CAGE CLAMP® clamps the following copper wires:



solid



stranded

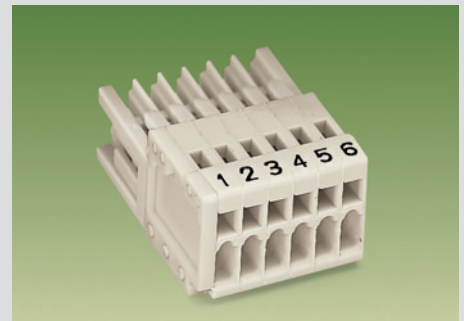


fine-stranded



tip bonded

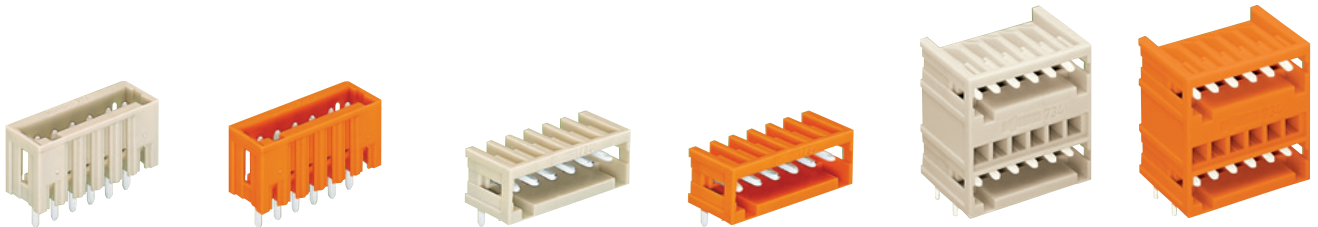
Marking



Marking with self-adhesive marker strips
(customised printing on request)

MULTI CONNECTION SYSTEM **MINI** – 100 % Protected against Mismatching, Headers with Solder Pins; Double Deck Headers with Solder Pins, Pin Spacings 3.5 mm/0.138 in and 3.81 mm/0.15 in

Pin spacing 3.5 mm/0.138 in, light grey Pin spacing 3.81 mm/0.15 in, orange 250 V/2.5 kV/2 10 A 300 V, 10 A 300 V, 10 A	Pin spacing 3.5 mm/0.138 in, light grey Pin spacing 3.81 mm/0.15 in, orange 250 V/2.5 kV/2 10 A 300 V, 10 A 300 V, 10 A	Pin spacing 3.5 mm/0.138 in, light grey Pin spacing 3.81 mm/0.15 in, orange 250 V/2.5 kV/2 10 A 300 V, 10 A 300 V, 10 A
*	*	*

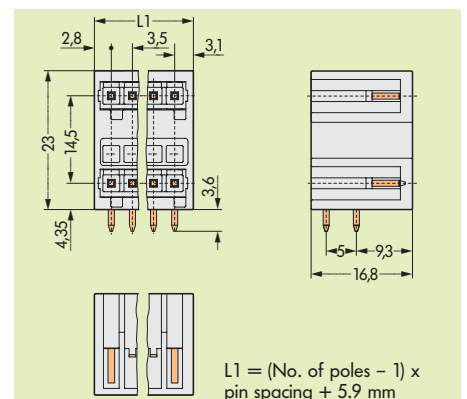
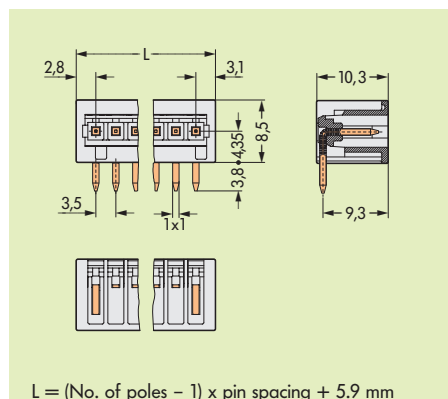
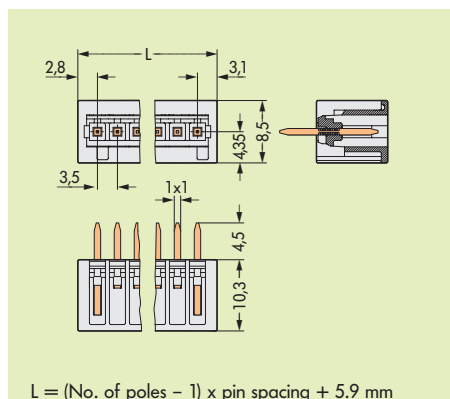


No. of poles	Item No.	Item No.	No. of poles	Item No.	Item No.	No. of poles	Item No.	Item No.
Headers with solder pins, 100 % protected against mismatching, straight solder pin, 1 mm x 1 mm			Headers with solder pins, 100 % protected against mismatching, right angle solder pin, 1 mm x 1 mm			Double deck headers without support, 100 % protected against mismatching, right angle solder pin, 1 mm x 1 mm		
	pin spacing 3.5 mm	3.81 mm		pin spacing 3.5 mm	3.81 mm		pin spacing 3.5 mm	3.81 mm
	light grey	orange		light grey	orange		light grey	orange
2	734-132	734-232	2	734-162	734-262	2	734-402	734-432
:	:	:	:	:	:	3	734-403	734-433
6	734-136	734-236	6	734-166	734-266	4	734-404	734-434
7	734-137	–	7	734-167	–	5	734-405	734-435
8	734-138	734-238	8	734-168	734-268	6	734-406	734-436
9	734-139	734-239	9	734-169	734-269	7	734-407	–
10	734-140	734-240	10	734-170	734-270	8	734-408	734-438
12	734-142	734-242	12	734-172	734-272	9	734-409	734-439
13	734-143	–	13	734-173	–	10	734-410	734-440
14	–	734-244	14	–	734-274	12	734-412	734-442
16	734-146	734-246	16	734-176	734-276			
18	734-148	–	18	734-178	–			
20	734-150	734-250	20	734-180	734-280			
24	734-154	–	24	734-184	–			

Accessories, Series 734

Coding key, snap-on type, light grey 734-130	Coding key, snap-on type, light grey 734-130	Coding key, to be snapped above top level, light grey 734-130
<p>Note: These connectors can only be mated and unmated at voltages below 42 V and in the "No load" condition.</p> <p>For mating and unmating at low power values, please request data.</p>		Coding key, to be snapped above bottom level, light grey 734-400

Dimensions (in mm) Diameter of drilled hole: 1.4^{+0.1} mm

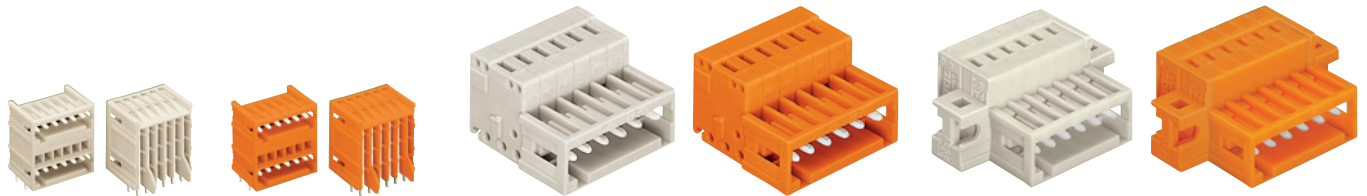


* You can find approvals on the Internet at www.wago.com.

Technical explanations and abbreviations see page 10.2.

MULTI CONNECTION SYSTEM MINI – 100% Protected against Mismatching, Double Deck Headers with Solder Pins; Male Connectors with CAGE CLAMP®, Pin Spacings 3.5 mm/0.138 in and 3.81 mm/0.15 in

Pin spacing 3.5 mm/0.138 in, light grey Pin spacing 3.81 mm/0.15 in, orange 250 V/2.5 kV/2 10 A	Pin spacing 3.5 mm/0.138 in, light grey Pin spacing 3.81 mm/0.15 in, orange 0.08 – 1.5 mm ² 250 V/2.5 kV/2 10 A	Pin spacing 3.5 mm/0.138 in, light grey Pin spacing 3.81 mm/0.15 in, orange 0.08 – 1.5 mm ² 250 V/2.5 kV/2 10 A
300 V, 10 A	300 V, 10 A	300 V, 10 A
*	*	*



No. of poles	Item No.	No. of poles	Item No.	No. of poles	Item No.	No. of poles	Item No.	No. of poles	Item No.		
Double deck headers with support, 100% protected against mismatching,				Male connectors with CAGE CLAMP®, 100% protected against mismatching,				Male connectors with CAGE CLAMP® and fixing flanges, 100% protected against mismatching			
right angle solder pin, 1 mm x 1 mm				pin spacing 3.5 mm				pin spacing 3.5 mm			
light grey		orange		light grey		orange		light grey		orange	
2	734-402/001-000	2	734-432/001-000	2	734-302	2	734-332	2	734-302/019-000	2	734-332/019-000
3	734-403/001-000	3	734-433/001-000	3	734-303	3	734-333	3	734-303/019-000	3	734-333/019-000
4	734-404/001-000	4	734-434/001-000	:	:	:	:	:	:	:	:
5	734-405/001-000	5	734-435/001-000	9	734-309	6	734-336	9	734-309/019-000	6	734-336/019-000
6	734-406/001-000	6	734-436/001-000	10	734-310	8	734-336	10	734-310/019-000	8	734-338/019-000
7	734-437/001-000	-	-	12	734-312	9	734-339	12	734-312/019-000	9	734-339/019-000
8	734-438/001-000	8	734-438/001-000	13	734-313	10	734-340	13	734-313/019-000	10	734-340/019-000
9	734-409/001-000	9	734-439/001-000	16	734-316	12	734-342	16	734-316/019-000	12	734-342/019-000
10	734-410/001-000	10	734-440/001-000	18	734-318	14	734-344	18	734-318/019-000	14	734-344/019-000
12	734-412/001-000	12	734-442/001-000	20	734-320	16	734-346	20	734-320/019-000	16	734-346/019-000
				24	734-324	20	734-350	24	734-324/019-000	20	734-350/019-000

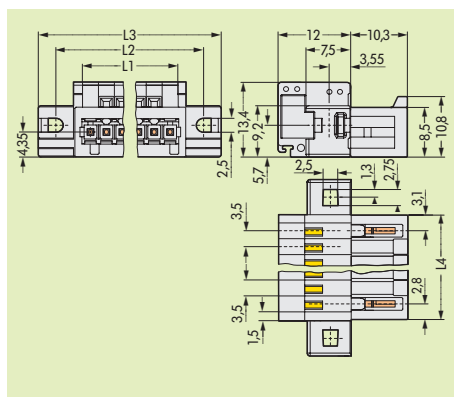
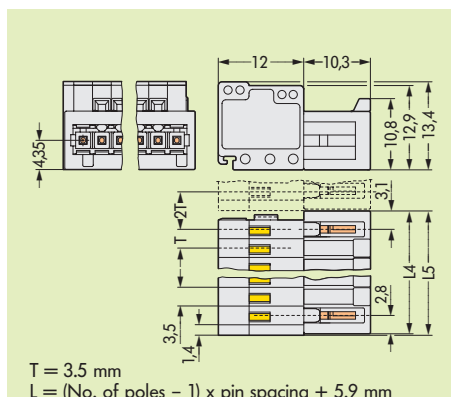
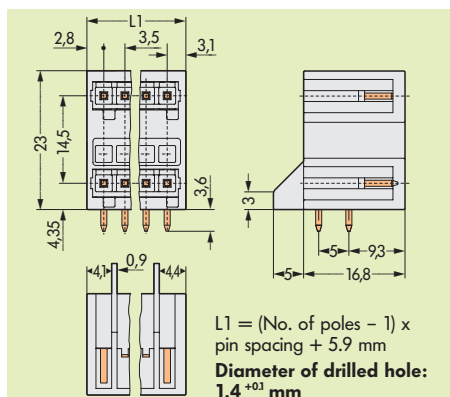
Special accessories

Coding key , to be snapped above bottom level, light grey 734-400	Operating lever , for male connectors with CAGE CLAMP® 734-230	Screw with nut , M 2 x 12, for fixing elements 231-195
--	---	---

General accessories

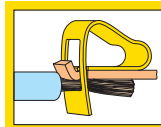
Coding key , to be snapped above top level, light grey 734-130	Screwdriver , with partially insulated shaft (2.5 x 0.4) mm 210-619 1	Marker card , computer marked, 80 self-adhesive strips per card, direct printing on request
<p>Note: These connectors can only be mated and unmated at voltages below 42 V and in the "No load" condition.</p> <p>For mating and unmating at low power values, please request data.</p>	Test pin , 1 mm/0.039 in Ø, 735-500 1	Marking 1 – 16 (240x) Spac. 3.5 mm 210-332/0350-0202
	Strain relief plates , see page 6.17	17 – 32 (240x) Spac. 3.5 mm 210-332/0350-0204
		1 – 16 (160x) Spac. 3.81 mm 210-332/0381-0202 17 – 32 (160x) Spac. 3.81 mm 210-332/0381-0204

Dimensions (in mm) $L_1 = \text{No. of poles} \times \text{pin spacing}$ $L_2 = L_1 + 8.8 \text{ mm}$ $L_3 = L_1 + 14.8 \text{ mm}$ $L_4 = (\text{No. of poles} - 1) \times \text{pin spacing} + 5.9 \text{ mm}$



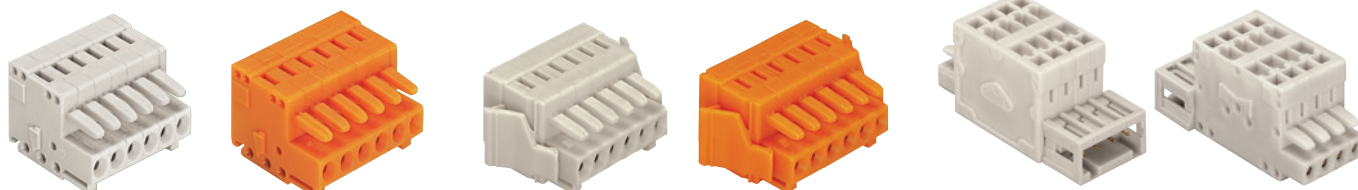
* You can find approvals on the Internet at www.wago.com.
 Technical explanations and abbreviations see page 10.2.

MULTI CONNECTION SYSTEM MINI – 100 % Protected against Mismatching, Female Connectors and Combi Strip with CAGE CLAMP®, Pin Spacings 3.5 mm/0.138 in and 3.81 mm/0.15 in



6
5

<p>Pin spacing 3.5 mm/0.138 in, light grey Pin spacing 3.81 mm/0.15 in, orange 0.08 – 1.5 mm² AWG 28 – 14 250 V/2.5 kV/2 300 V, 10 A </p> <p>* 7 mm / 0.28 in * </p>	<p>Pin spacing 3.5 mm/0.138 in, light grey Pin spacing 3.81 mm/0.15 in, orange 0.08 – 1.5 mm² AWG 28 – 14 250 V/2.5 kV/2 300 V, 10 A </p> <p>* 7 mm / 0.28 in * </p>	<p>Pin spacing 3.5 mm/0.138 in, light grey 0.08 – 1.5 mm² AWG 28 – 14 250 V/2.5 kV/2 300 V, 10 A </p> <p>* 7 mm / 0.28 in</p>
--	--	---



No. of poles	Item No.	No. of poles	Item No.	No. of poles	Item No.	No. of poles	Item No.				
Female connectors with CAGE CLAMP®, 100 % protected against mismatching, with coding fingers				Female connectors with CAGE CLAMP® and locking levers, 100 % protected against mismatching, with coding fingers				Combi strip with CAGE CLAMP® connection, 100 % protected against mismatching, with coding fingers			
pin spacing 3.5 mm		3.81 mm		pin spacing 3.5 mm		3.81 mm		pin spacing 3.5 mm			
light grey		orange		light grey		orange		light grey			
2	734-102	2	734-202	2	734-102/037-000	2	734-202/037-000	2	734-362		
3	734-103	3	734-203	3	734-103/037-000	3	734-203/037-000	3	734-363		
:	:	:	:	:	:	:	:	4	734-364		
9	734-109	6	734-206	9	734-109/037-000	6	734-206/037-000	5	734-365		
10	734-110	8	734-208	10	734-110/037-000	8	734-208/037-000	6	734-366		
12	734-112	9	734-209	12	734-112/037-000	9	734-209/037-000	7	734-367		
13	734-113	10	734-210	13	734-113/037-000	10	734-210/037-000	8	734-368		
16	734-116	12	734-212	16	734-116/037-000	12	734-212/037-000	9	734-369		
18	734-118	14	734-214	18	734-118/037-000	14	734-214/037-000	10	734-370		
20	734-120	16	734-216	20	734-120/037-000	16	734-216/037-000	12	734-372		
24	734-124	20	734-220	24	734-124/037-000	20	734-220/037-000				

Special accessories

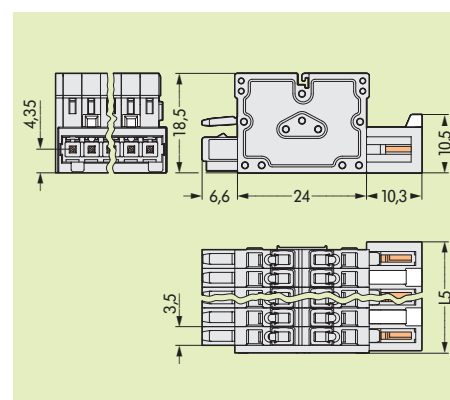
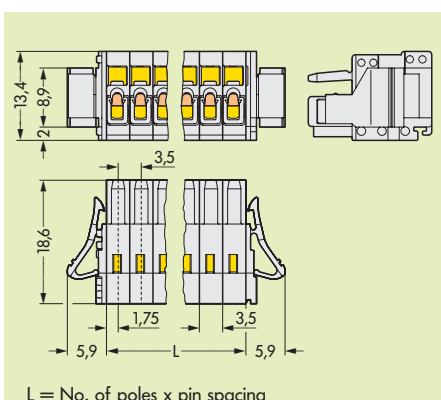
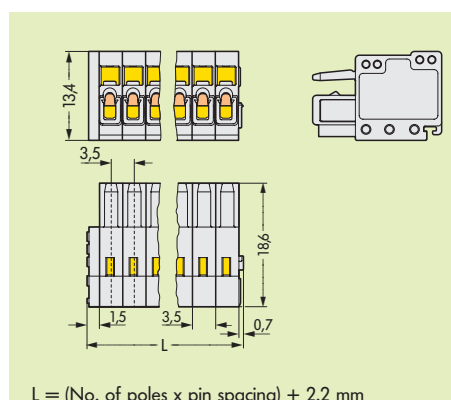
	Operating lever , for male connectors with CAGE CLAMP® 734-230		Coding key , to be snapped above top level, light grey 734-130
--	--	--	--

General accessories

	Screwdriver , with partially insulated shaft (2.5 x 0.4) mm 210-619 1		Marker card , computer marked, 80 self-adhesive strips per card, direct printing on request
	Test pin , 1 mm/0.039 in Ø 735-500 1		Marking 1 – 16 (240x) Spac. 3.5 mm 210-332/0350-0202 17 – 32 (240x) Spac. 3.5 mm 210-332/0350-0204 1 – 16 (160x) Spac. 3.81 mm 210-332/0381-0202 17 – 32 (160x) Spac. 3.81 mm 210-332/0381-0204
	Strain relief plates , see page 6.17		

Dimensions (in mm)

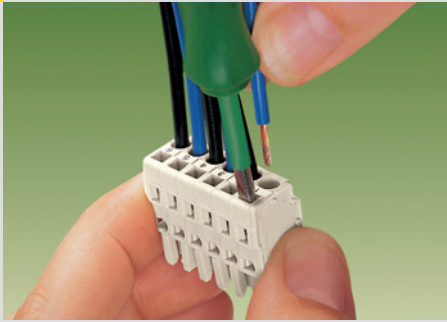
$$L_s = L_a + 0.45 \text{ mm}$$



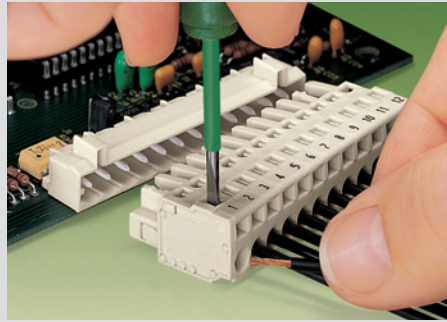
MULTI CONNECTION SYSTEM MIDI – 100 % Protected against Mismatching

Description and Handling

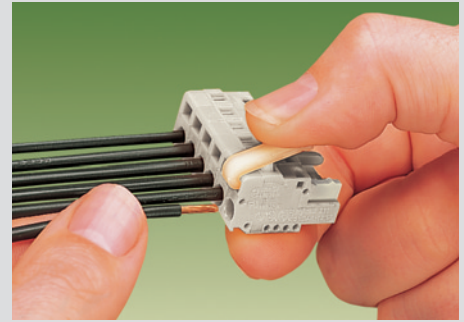
CAGE CLAMP® connection



Connection of conductors – front-entry

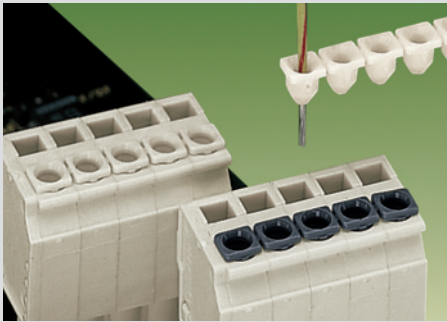


Connection of conductors – side-entry

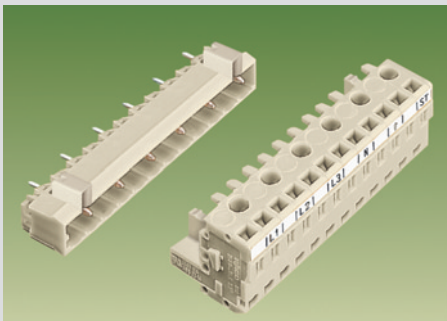


Connection of conductors – side-entry wiring with snap-on lever. Item No. 231-131

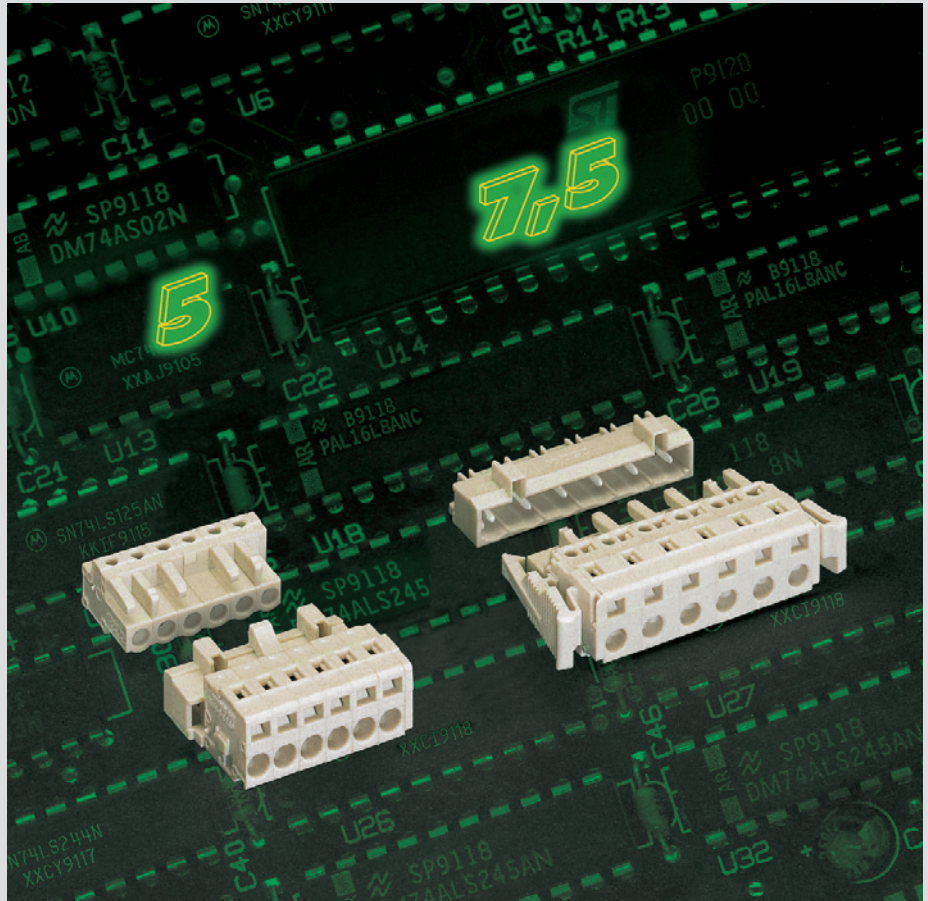
Insulation stop



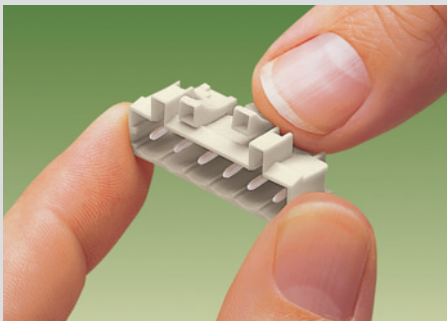
Pin spacing 10 mm/0.394 in



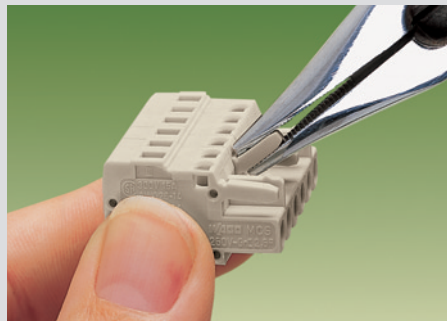
Pin spacing 10 mm/0.395 in on request



Coding

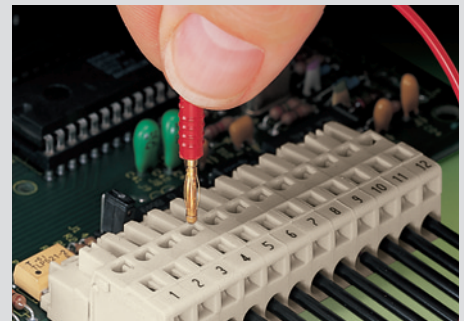


Coding of a header – fitting of coding key(s)



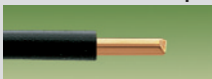
Coding of a female connector – removal of coding finger(s)

Testing



Testing with test plug 2 mm Ø oder 2.3 mm Ø

CAGE CLAMP® clamps the following copper wires:



solid



stranded



fine-stranded



tip bonded



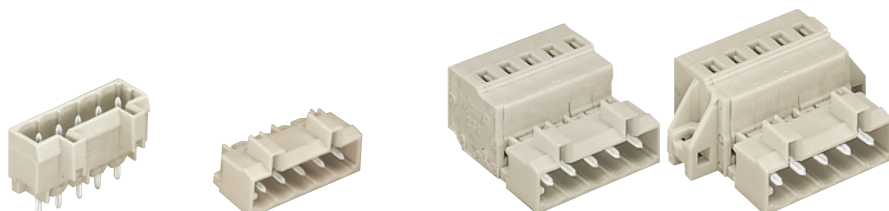
with crimped ferrule



with crimped pin terminal

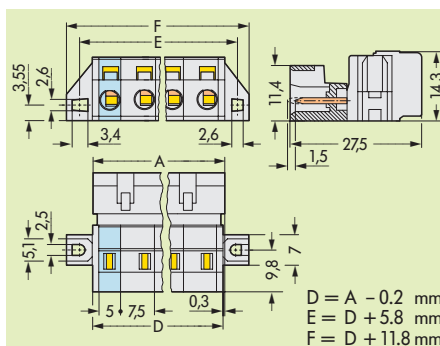
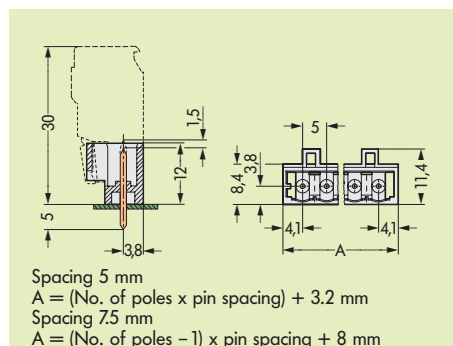
MULTI CONNECTION SYSTEM MIDI – 100 % Protected against Mismatching, Headers with Solder Pins; Male Connectors with CAGE CLAMP®, Pin Spacings 5 mm/0.197 in and 7.5 mm/0.295 in

Pin spacing 5 mm/0.197 in, light grey 250 V/4 kV/3 300 V, 10 A 12 A 300 V, 15 A Pin spacing 7.5 mm/0.295 in, light grey 400 V/6 kV/3 300 V, 10 A 12 A 300 V, 15 A *	Pin spacing 5 mm/0.197 in, light grey 0.08 – 2.5 mm ² AWG 28 – 12** 250 V/4 kV/3 300 V, 15 A 12 A 300 V, 15 A Pin spacing 7.5 mm/0.295 in, light grey 400 V/6 kV/3 300 V, 15 A *	Accessories
---	---	--------------------



No. of poles	Item No.	Item No.	No. of poles	Item No.	Item No.	Accessories, Series 721 and 723	Item No.
Closed end headers, 100% protected against mismatching, light grey solder pin 1 mm x 1 mm			Male connectors with CAGE CLAMP®, 100% protected against mismatching, light grey			Marker strips, self-adhesive	
Pin spacing 5 mm/0.197 in			Pin spacing 5 mm/0.197 in			Spacing 5 mm/0.197 in	
	straight	angled			with fixing flanges	1-12 (300x) 210-331/0500-0103	
2	721-132/001-000	721-432/001-000	2	721-602	721-602/019-000	13-24 (300x) 210-331/0500-0104	
3	721-133/001-000	721-433/001-000	3	721-603	721-603/019-000	Spacing 7.5 mm/0.295 in	
4	721-134/001-000	721-434/001-000	4	721-604	721-604/019-000	1-16 (100x) 210-331/0750-0202	
5	721-135/001-000	721-435/001-000	5	721-605	721-605/019-000	Coding key, snap-on type,	
6	721-136/001-000	721-436/001-000	6	721-606	721-606/019-000	Spacing 5 mm/0.197 in	
7	721-137/001-000	721-437/001-000	7	721-607	721-607/019-000	light grey 231-129	
8	721-138/001-000	721-438/001-000	8	721-608	721-608/019-000	Spacing 7.5 mm/0.295 in	
9	721-139/001-000	721-439/001-000	9	721-609	721-609/019-000	light grey 231-130	
10	721-140/001-000	721-440/001-000	10	721-610	721-610/019-000	Insulation stop, 5 pcs/strip	
12	721-142/001-000	721-442/001-000	12	721-612	721-612/019-000	Spacing 5 mm/0.197 in	
14	721-144/001-000	721-444/001-000	14	721-614	721-614/019-000	0.08 - 0.2 mm ²	
16	721-146/001-000	721-446/001-000	16	721-616	721-616/019-000	white 231-670	
20	721-150/001-000	721-450/001-000	20	721-620	721-620/019-000	0.25 - 0.5 mm ² 231-671	
Pin spacing 7.5 mm/0.295 in			Pin spacing 7.5 mm/0.295 in			light grey 231-671	
	straight	angled			with fixing flanges	0.75 - 1 mm ² 231-672	
2	721-232/001-000	721-832/001-000	2	723-602	723-602/019-000	Spacing 7.5 mm/0.295 in	
3	721-233/001-000	721-833/001-000	3	723-603	723-603/019-000	0.08 - 0.2 mm ²	
4	721-234/001-000	721-834/001-000	4	723-604	723-604/019-000	white 231-673	
5	721-235/001-000	721-835/001-000	5	723-605	723-605/019-000	0.25 - 0.5 mm ² 231-674	
6	721-236/001-000	721-836/001-000	6	723-606	723-606/019-000	light grey 231-674	
7	721-237/001-000	721-837/001-000	7	723-607	723-607/019-000	0.75 - 1 mm ² 231-675	
8	721-238/001-000	721-838/001-000	8	723-608	723-608/019-000	dark grey 231-675	
9	721-239/001-000	721-839/001-000	9	723-609	723-609/019-000	0.2 mm² s" (0.14 mm² f-st")	
10	721-240/001-000	721-840/001-000	10	723-610	723-610/019-000	Fixing element, horizontal,	
11	721-241/001-000	721-841/001-000	11	723-611	723-611/019-000	grey 231-193	
12	721-242/001-000	721-842/001-000	12	723-612	723-612/019-000	Tapping screw,	

Dimensions (in mm) Diameter of drilled hole: 1.4^{+0.1} mm (solder pin 1 mm x 1 mm)

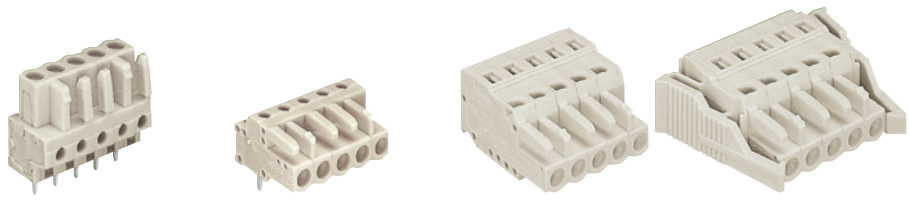


Tapping screw,	B 2.2 x 13 231-194
	B 2.2 x 9.5 209-147
	Fixing hole Ø 1.8 mm
Screw M 2 x 12 with nut	231-195
	for fixing element
Test plug, with cable 500 mm/1'7.7" long	2 mm Ø 210-136 red
	2.3 mm Ø 210-137 yellow

* You can find approvals on the Internet at www.wago.com. Technical explanations and abbreviations see page 10.2.

MULTI CONNECTION SYSTEM MIDI – 100 % Protected against Mismatching, Female Connectors with Solder Pins, Pin Spacings 5 mm/0.197 in and 7.5 mm/0.295 in

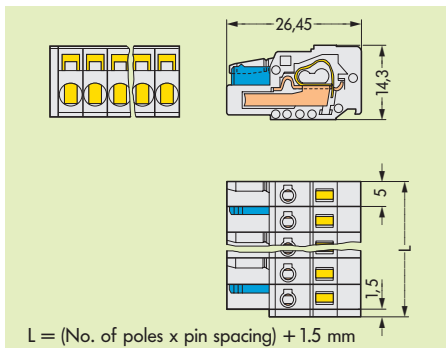
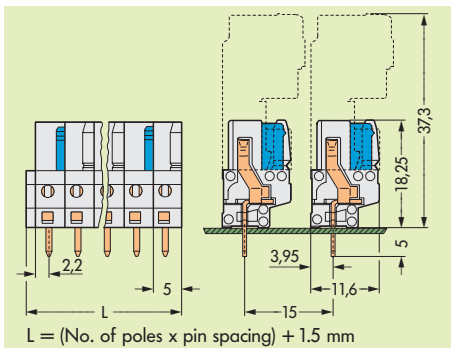
Pin spacing 5 mm/0.197 in, light grey 250 V/4 kV/3 300 V, 10 A 12 A 300 V, 15 A	Pin spacing 5 mm/0.197 in, light grey 0.08 – 2.5 mm ² AWG 28 – 12 250 V/4 kV/3 300 V, 15 A 16 A	Accessories
Pin spacing 7.5 mm/0.295 in, light grey 400 V/6 kV/3 300 V, 10 A *	Pin spacing 7.5 mm/0.295 in, light grey 400 V/6 kV/3 300 V, 10 A *	



No. of poles	Item No.	Item No.	No. of poles	Item No.	Item No.	Accessories, Series 721 and 722	Item No.
Female connectors with solder pins, 100 % protected against mismatching, with coding fingers, with two latches, light grey, solder pin 0.6 mm x 1 mm			Female connectors with CAGE CLAMP®, 100 % protected against mismatching, with coding fingers, with two latches, light grey,			Marker strips, 100 self-adhesive strips	
Pin spacing 5 mm/0.197 in			Pin spacing 5 mm/0.197 in			Spacing 5 mm/0.197 in	
	straight	angled		with locking device		1-12 (300x) 210-331/0500-0103 13-24 (300x) 210-331/0500-0104	
2**	722-132	722-232	2**	721-102/026-000	721-102/037-000	Spacing 7.5 mm/0.295 in	
3	722-133	722-233	3	721-103/026-000	721-103/037-000	1-16 (100x) 210-331/0750-0202	
4	722-134	722-234	4	721-104/026-000	721-104/037-000	Insulation stop, 5 pcs/strip	
5	722-135	722-235	5	721-105/026-000	721-105/037-000	Spacing 5 mm/0.197 in	
6	722-136	722-236	6	721-106/026-000	721-106/037-000	0.08 - 0.2 mm ² 1 white 231-670	
:	:	:	:	:	:	0.25 - 0.5 mm ² light grey 231-671	
10	722-140	722-240	10	721-110/026-000	721-110/037-000	0.75 - 1 mm ² dark grey 231-672	
12	722-142	722-242	12	721-112/026-000	721-112/037-000	Spacing 7.5 mm/0.295 in	
14	722-144	722-244	14	721-114/026-000	721-114/037-000	0.08 - 0.2 mm ² 1 white 231-673	
16	722-146	722-246	16	721-116/026-000	721-116/037-000	0.25 - 0.5 mm ² light grey 231-674	
20	722-150	722-250	20	721-120/026-000	721-120/037-000	0.75 - 1 mm ² dark grey 231-675	
Pin spacing 7.5 mm/0.295 in			Pin spacing 7.5 mm/0.295 in			0.2 mm²s" (0.14 mm²f-st")	
	straight	angled		with locking device		Test plug for female connectors,	
2**	722-732	722-832	2**	721-202/026-000	721-202/037-000	with CAGE CLAMP®	
3	722-733	722-833	3	721-203/026-000	721-203/037-000	pin spacings 5 mm and 5.08 mm 231-661	
4	722-734	722-834	4	721-204/026-000	721-204/037-000	pin spacings 7.5 mm and 7.62 mm 231-662	
5	722-735	722-835	5	721-205/026-000	721-205/037-000	Test plug, with cable 500 mm/1'7.7" long	
6	722-736	722-836	6	721-206/026-000	721-206/037-000	2 mm Ø 210-136 red 2.3 mm Ø 210-137 yellow	
7	722-737	722-837	7	721-207/026-000	721-207/037-000	Operating tool, for female connectors and male connectors with CAGE CLAMP® 210-250	
8	722-738	722-838	8	721-208/026-000	721-208/037-000	Operating lever, loose, for female connectors and male connectors with CAGE CLAMP® 231-131	
9	722-739	722-839	9	721-209/026-000	721-209/037-000		
10	722-740	722-840	10	721-210/026-000	721-210/037-000		
11	722-741	722-841	11	721-211/026-000	721-211/037-000		
12	722-742	722-842	12	721-212/026-000	721-212/037-000		

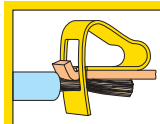


Dimensions (in mm) Diameter of drilled hole: 1.3^{+0.1}mm



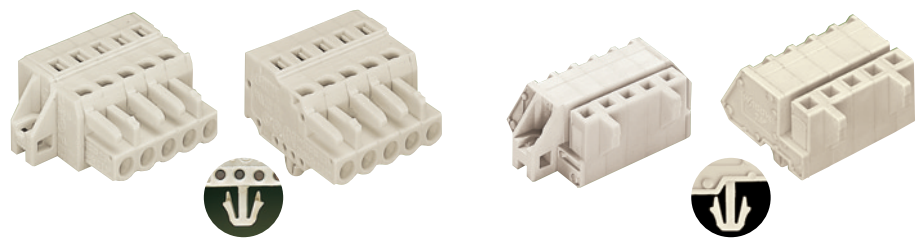
* You can find approvals on the Internet at www.wago.com. Technical explanations and abbreviations see page 10.2.

MULTI CONNECTION SYSTEM MIDI – 100% Protected against Mismatching, Female Connectors with CAGE CLAMP®, Pin Spacing 5 mm/0.197 in and 7.5 mm/0.295 in

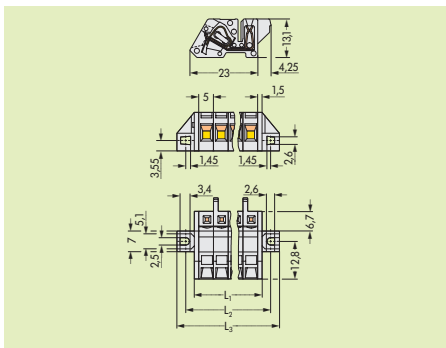
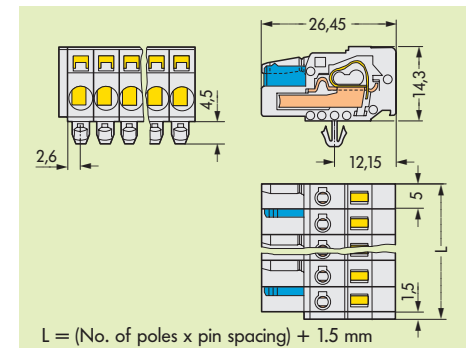


6
9

Pin spacing 5 mm/0.197 in, light grey 0.08 – 2.5 mm ² AWG 28 – 12 250 V/4 kV/3 300 V, 15 A 12 A 300 V, 15 A Pin spacing 7.5 mm/0.295 in, light grey 400 V/6 kV/3 300 V, 15 A *	Pin spacing 5 mm/0.197 in, light grey 0.08 – 2.5 mm ² AWG 28 – 12 250 V/4 kV/3 300 V, 15 A 12 A 300 V, 15 A Pin spacing 7.5 mm/0.295 in, light grey 400 V/6 kV/3 300 V, 15 A *	Accessories
---	---	--------------------



No. of poles	Item No.	Item No.	No. of poles	Item No.	Item No.	Accessories, Series 721	Item No.
Female connectors with CAGE CLAMP® and fixing flanges for panel mounting, 100% protected against mismatching, with coding fingers, with two latches, for screw or similar methods of fixing, light grey and snap-in mounting feet, for plate thickness 0.6 mm – 1.2 mm, fixing hole Ø 3.5 mm, (or with mounting adapter 209-137 for DIN 35 rail)			Angled female connectors with CAGE CLAMP® and fixing flanges for panel mounting, 100% protected against mismatching, with two latches, for screw or similar methods of fixing, light grey and snap-in mounting feet, for plate thickness 0.6 mm – 1.2 mm, fixing hole Ø 3.5 mm			Marker strips, 100 self-adhesive strips	
Pin spacing 5 mm/0.197 in with fixing flanges with mounting feet			Pin spacing 5 mm/0.197 in with fixing flanges with mounting feet			Spacing 5 mm/0.197 in 1–12 (300 x) 210-331/0500-0103 13–24 (300 x) 210-331/0500-0104	
2**	721-102/031-000	721-102/008-000	2	721-302/031-000	721-302/008-000	Spacing 7.5 mm/0.295 in 1–16 (100 x) 210-331/0750-0202	
3	721-103/031-000	721-103/008-000	3	721-303/031-000	721-303/008-000	Insulation stop, 5 pcs/strip	
4	721-104/031-000	721-104/008-000	4	721-304/031-000	721-304/008-000	Spacing 5 mm/0.197 in 0.08–0.2 mm ² 231-670 white	
5	721-105/031-000	721-105/008-000	5	721-305/031-000	721-305/008-000	0.25–0.5 mm ² light grey 231-671	
6	721-106/031-000	721-106/008-000	6	721-306/031-000	721-306/008-000	0.75–1 mm ² dark grey 231-672	
:	:	:	:	:	:	Spacing 7.5 mm/0.295 in 0.08–0.2 mm ² 231-673 white	
10	721-110/031-000	721-110/008-000	10	721-310/031-000	721-310/008-000	0.25–0.5 mm ² light grey 231-674	
12	721-112/031-000	721-112/008-000	12	721-312/031-000	721-312/008-000	0.75–1 mm ² dark grey 231-675	
14	721-114/031-000	721-114/008-000	14	721-314/031-000	721-314/008-000	0.2 mm² "s" (0.14 mm² "f-st")	
16	721-116/031-000	721-116/008-000	16	721-316/031-000	721-316/008-000	Mounting adapter, for DIN 35 rail,	
20	721-120/031-000	721-120/008-000	20	721-320/031-000	721-320/008-000	grey 209-137 3 or more poles	
Pin spacing 7.5 mm/0.295 in with fixing flanges with mounting feet			Pin spacing 7.5 mm/0.295 in with fixing flanges with mounting feet			Tapping screw,	
2**	721-202/031-000	721-202/008-000	2	721-332/031-000	721-332/008-000	B 2.2 x 9.5 209-147 fixing hole Ø 1.8 mm	
3	721-203/031-000	721-203/008-000	3	721-333/031-000	721-333/008-000	Test plug, with cable 500 mm/1'7.7" long	
4	721-204/031-000	721-204/008-000	4	721-334/031-000	721-334/008-000	2 mm Ø 210-136 red 2.3 mm Ø 210-137 yellow	
5	721-205/031-000	721-205/008-000	5	721-335/031-000	721-335/008-000	Countersunk screw, M 2 x 12 not offered by WAGO	
6	721-206/031-000	721-206/008-000	6	721-336/031-000	721-336/008-000	Screwdriver, with partially insulated shaft (3.5 x 0.5) mm 210-620	
:	:	:	:	:	:		
11	721-211/031-000	721-211/008-000	11	721-341/031-000	721-341/008-000		
12	721-212/031-000	721-212/008-000	12	721-342/031-000	721-342/008-000		
Dimensions L ₁ = (No. of poles x pin spacing) + 3 mm L ₂ = (No. of poles x pin spacing) + 8 mm L ₃ = (No. of poles x pin spacing) + 14.8 mm							



Please find the entire product range in our General Catalogue W4, Volume 2. More information at www.wago.com.

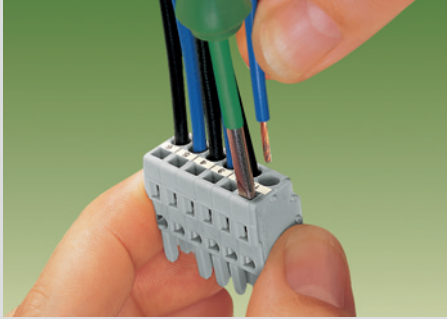


6 MULTI CONNECTION SYSTEM MIDI

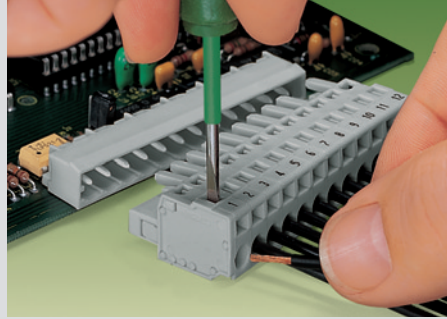
10

Description and Handling

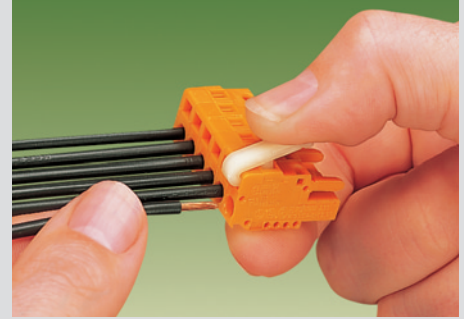
CAGE CLAMP® connection



Connection of conductors – front-entry

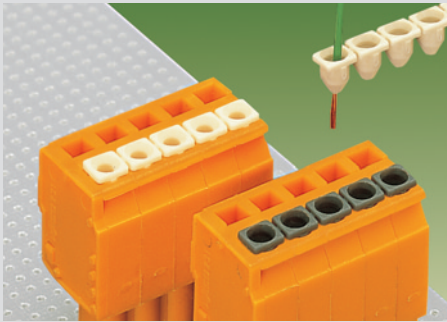


Connection of conductors – side-entry

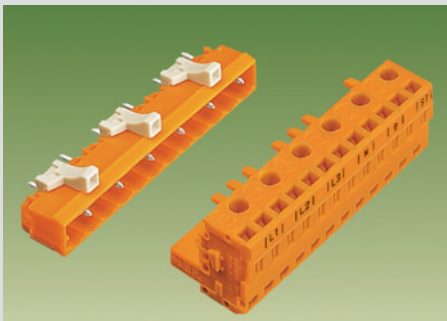


Connection of conductors – side-entry wiring with snap-on lever. Item No. 231-131

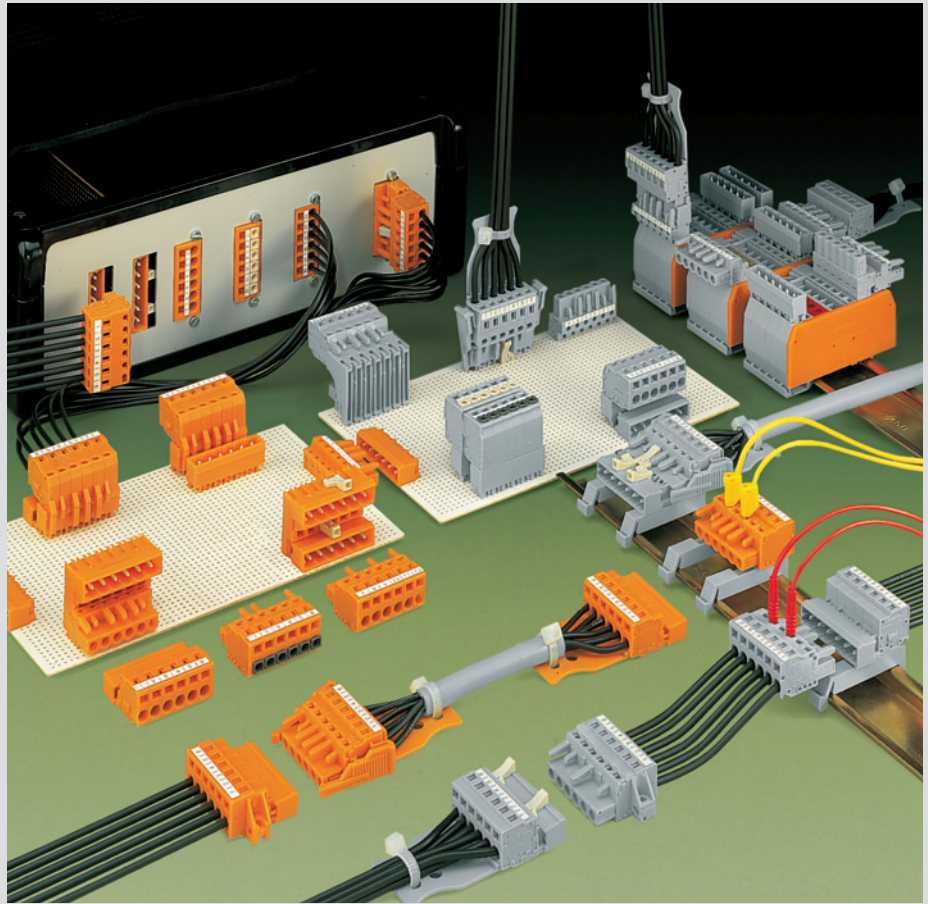
Insulation step



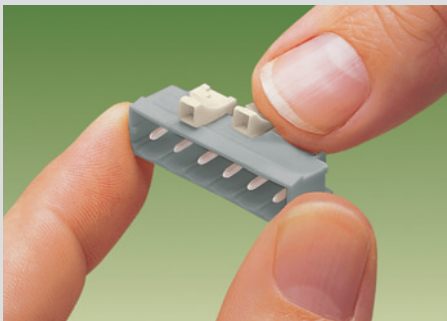
Pin spacings 10 mm/0.394 in and 10.16 mm/0.4 in



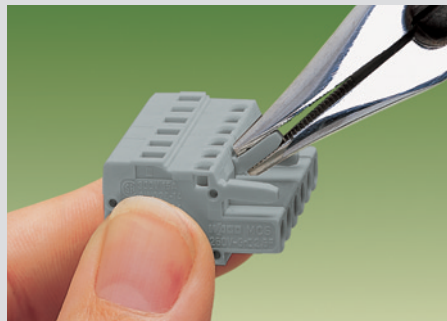
Here shown with 10.16 mm/0.4 in spacing, contact factory



Coding

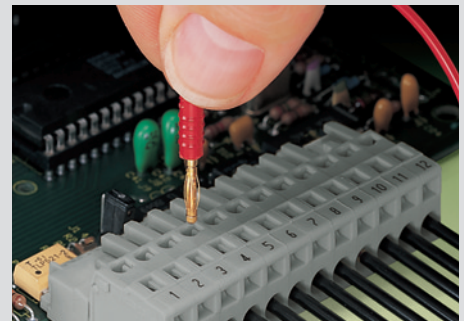


Coding of a header – fitting of coding key(s)



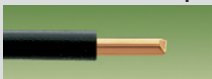
Coding of a female connector – removal of coding finger(s)

Testing



Testing with test plug 2 mm/0.079 in Ø or 2.3 mm/0.091 in Ø

CAGE CLAMP® clamps the following copper wires:



solid



stranded



fine-stranded



tip bonded



with crimped ferrule



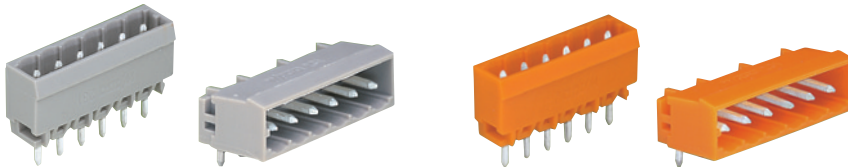
with crimped pin terminal

MULTI CONNECTION SYSTEM **MIDI**

Headers with Solder Pins,

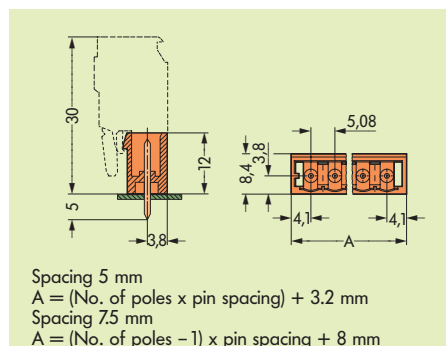
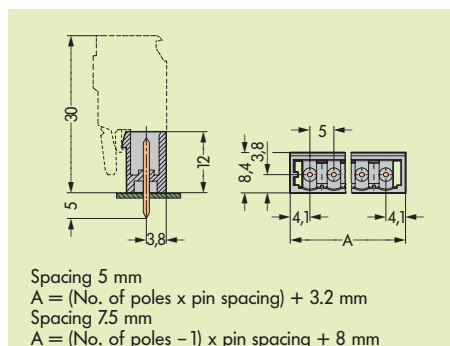
Pin Spacings 5 mm/0.197 in; 5.08 mm/0.2 in; 7.5 mm/0.295 in and 7.62 mm/0.3 in

<p>Pin spacing 5 mm/0.197 in, grey 250 V/4 kV/3 300 V, 10 A </p> <p>Pin spacing 7.5 mm/0.295 in, grey 400 V/6 kV/3 300 V, 10 A </p> <p>* </p>	<p>Pin spacing 5.08 mm/0.2 in, orange 250 V/4 kV/3 300 V, 10 A </p> <p>Pin spacing 7.62 mm/0.3 in, orange 400 V/6 kV/3 300 V, 10 A </p> <p>* </p>	<p>Accessories</p>
---	---	---------------------------



No. of poles	Item No.	Item No.	No. of poles	Item No.	Item No.	Accessories, Series 231	Item No.
Headers with solder pins, grey solder pin 1 mm x 1 mm			Headers with solder pins, orange, solder pin 1 mm x 1 mm			Coding key, snap-on type,	
Pin spacing 5 mm			Pin spacing 5.08 mm			Spacings 5 mm and 5.08 mm light grey 231-129	
	straight	angled		straight	angled	Spacings 7.5 mm and 7.62 mm light grey 231-130	
2	231-132/001-000	231-432/001-000	2	231-332/001-000	231-532/001-000	Fixing element, horizontal	
3	231-133/001-000	231-433/001-000	3	231-333/001-000	231-533/001-000	Spacings 5 mm and 7.5 mm grey 231-193	
4	231-134/001-000	231-434/001-000	4	231-334/001-000	231-534/001-000	Fixing element, horizontal	
:	:	:	:	:	:	Spac. 5.08 mm and 7.62 mm orange 231-393	
12	231-142/001-000	231-442/001-000	12	231-342/001-000	231-542/001-000	Tapping screw,	
:	:	:	:	:	:	B 2.2 x 13 231-194 fixing hole Ø 1.8 mm	
21	231-151/001-000	231-451/001-000	21	231-351/001-000	231-551/001-000	Screw with nut,	
22	231-152/001-000	231-452/001-000	22	231-352/001-000	231-552/001-000	M 2 x 12 231-195 for fixing element	
23	231-153/001-000	231-453/001-000	23	231-353/001-000	231-553/001-000	Separator, for formation of groups,	
24	231-154/001-000	231-454/001-000	24	231-354/001-000	231-554/001-000	light grey 231-500	
Pin spacing 7.5 mm			Pin spacing 7.62 mm				
	straight	angled		straight	angled		
2	231-232/001-000	231-832/001-000	2	231-732/001-000	231-932/001-000		
3	231-233/001-000	231-833/001-000	3	231-733/001-000	231-933/001-000		
4	231-234/001-000	231-834/001-000	4	231-734/001-000	231-934/001-000		
5	231-235/001-000	231-835/001-000	5	231-735/001-000	231-935/001-000		
6	231-236/001-000	231-836/001-000	6	231-736/001-000	231-936/001-000		
7	231-237/001-000	231-837/001-000	7	231-737/001-000	231-937/001-000		
8	231-238/001-000	231-838/001-000	8	231-738/001-000	231-938/001-000		
9	231-239/001-000	231-839/001-000	9	231-739/001-000	231-939/001-000		
10	231-240/001-000	231-840/001-000	10	231-740/001-000	231-940/001-000		
11	231-241/001-000	231-841/001-000	11	231-741/001-000	231-941/001-000		
12	231-242/001-000	231-842/001-000	12	231-742/001-000	231-942/001-000		
13	231-243/001-000	231-843/001-000					
16	231-246/001-000	231-846/001-000					

Dimensions (in mm) Diameter of drilled hole: 1.4^{+0.1} mm (solder pin 1 mm x 1 mm)



* You can find approvals on the Internet at www.wago.com.

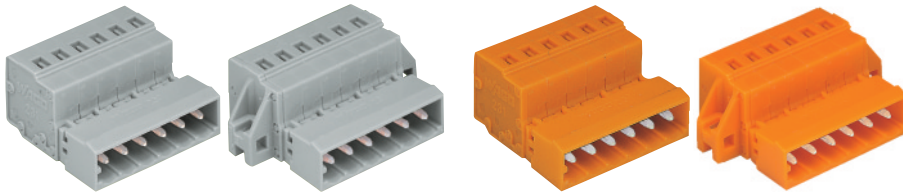
Technical explanations and abbreviations see page 10.2.

MULTI CONNECTION SYSTEM MIDI

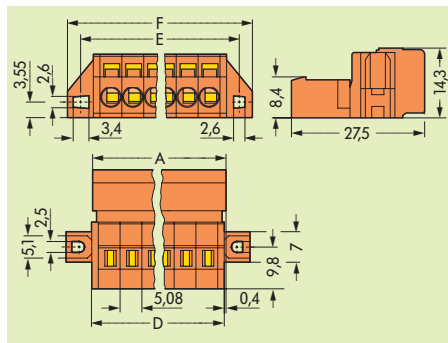
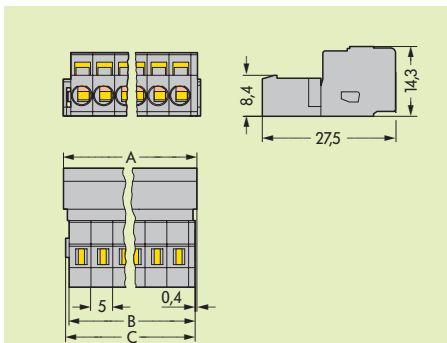
Male Connectors with CAGE CLAMP®,

Pin Spacings 5 mm/0.197 in; 5.08 mm/0.2 in; 7.5 mm/0.295 in; 7.62 mm/0.3 in

<p>Pin spacing 5 mm/0.197 in, grey 0.08 – 2.5 mm² AWG 28 – 12 250 V/4 kV/3 300 V, 15 A </p> <p>Pin spacing 7.5 mm/0.295 in, grey 400 V/6 kV/3 300 V, 15 A </p> <p>* </p>	<p>Pin spacing 5.08 mm/0.2 in, orange 0.08 – 2.5 mm² AWG 28 – 12 250 V/4 kV/3 300 V, 15 A </p> <p>Pin spacing 7.62 mm/0.3 in, orange 400 V/6 kV/3 300 V, 15 A </p> <p>* </p>	<p>Accessories</p>
---	---	---------------------------



No. of poles	Item No.	Item No.	No. of poles	Item No.	Item No.	Accessories, Series 231 and 731	Item No.
Male connectors with CAGE CLAMP®, grey,			Male connectors with CAGE CLAMP®, orange,			Marker strips, 100 self-adhesive strips	
and fixing flanges, for screw fixing or similar methods, for vertical or horizontal fixing			and fixing flanges, for screw fixing or similar methods, for vertical or horizontal fixing			Spacing 5 mm	
Pin spacing 5 mm			Pin spacing 5.08 mm			Spacing 5.08 mm	
with fixing flanges			with fixing flanges			1-12 (300x) 210-331/0500-0103	
2	231-602	231-602/019-000	2	231-632	231-632/019-000	13-24 (300x) 210-331/0500-0104	
3	231-603	231-602/019-000	3	231-633	231-632/019-000		
4	231-604	231-602/019-000	4	231-634	231-632/019-000		
:	:	:	:	:	:		
12	231-612	231-602/019-000	12	231-642	231-642/019-000		
:	:	:	:	:	:		
21	231-621	231-602/019-000	21	231-651	231-651/019-000	Spacing 7.5 mm	
22	231-622	231-602/019-000	22	231-652	231-652/019-000	1-16 (100x) 210-331/0750-0202	
23	231-623	231-602/019-000	23	231-653	231-653/019-000		
24	231-624	231-602/019-000	24	231-654	231-654/019-000		
Pin spacing 7.5 mm			Pin spacing 7.62 mm			Coding key, snap-on type,	
with fixing flanges			with fixing flanges			Spacings 5 mm and 5.08 mm	
2	731-602	731-602/019-000	2	731-632	731-632/019-000	light grey 231-129	
3	731-603	731-603/019-000	3	731-633	731-633/019-000		
4	731-604	731-604/019-000	4	731-634	731-634/019-000		
5	731-605	731-605/019-000	5	731-635	731-635/019-000		
6	731-606	731-606/019-000	6	731-636	731-636/019-000		
7	731-607	731-607/019-000	7	731-637	731-637/019-000		
8	731-608	731-608/019-000	8	731-638	731-638/019-000		
9	731-609	731-609/019-000	9	731-639	731-639/019-000		
10	731-610	731-610/019-000	10	731-640	731-640/019-000		
11	731-611	731-611/019-000	11	731-641	731-641/019-000		
12	731-612	731-612/019-000	12	731-642	731-642/019-000		
13	731-613	731-613/019-000					
16	731-616	731-616/019-000					
Dimensions (in mm) A = (No. of poles x pin spacing) + 3.2 mm B = A – 1.7 mm C = A – 1.2 mm						Insulation stop, 5 pcs/strip	
						Spacings 5 mm and 5.08 mm	
						0.08 - 0.2 mm ² ①	
						white 231-670	
						0.25 - 0.5 mm ²	
						light grey 231-671	
						0.75 - 1 mm ²	
						dark grey 231-672	
						Spacings 7.5 mm and 7.62 mm	
						0.08 - 0.2 mm ² ①	
						white 231-673	
						0.25 - 0.5 mm ²	
						light grey 231-674	
						0.75 - 1 mm ²	
						dark grey 231-675	



① 0.2 mm²"s" (0.14 mm²"f-st")

Tapping screw,



B 2.2 x 9.5 **209-147**
fixing hole Ø 1.8 mm

Separator, for formation of groups,



light grey **231-500**

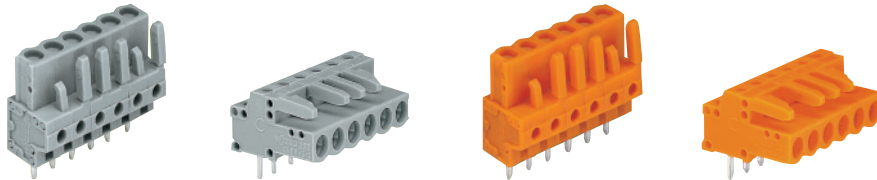
* You can find approvals on the Internet at www.wago.com.
Technical explanations and abbreviations see page 10.2.

MULTI CONNECTION SYSTEM **MIDI**

Female Connectors with Solder Pins,

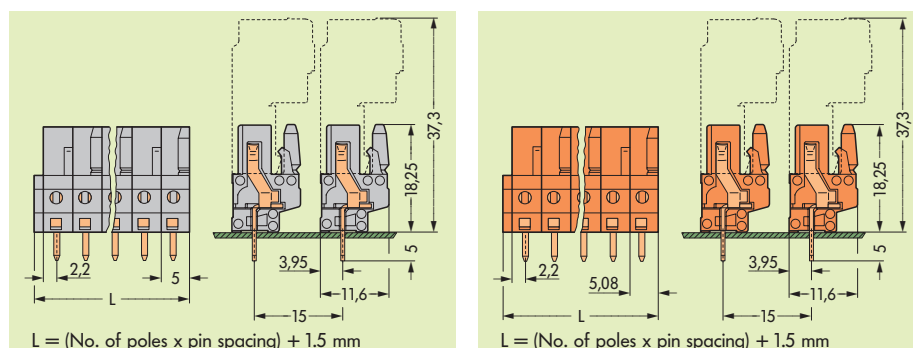
Pin Spacings 5 mm/0.197 in; 5.08 mm/0.2 in; 7.5 mm/0.295 in; 7.62 mm/0.3 in

<p>Pin spacing 5 mm/0.197 in, grey 250 V/4 kV/3 300 V, 15 A </p> <p>Pin spacing 7.5 mm/0.295 in, grey 400 V/6 kV/3 300 V, 15 A </p> <p>* </p>	<p>Pin spacing 5.08 mm/0.2 in, orange 250 V/4 kV/3 300 V, 15 A </p> <p>Pin spacing 7.62 mm/0.3 in, orange 400 V/6 kV/3 300 V, 15 A </p> <p>* </p>	<p>Accessories</p>
---	---	---------------------------



No. of poles	Item No.	Item No.	No. of poles	Item No.	Item No.	Accessories, Series 232	Item No.
Female connectors with solder pins, with coding fingers, with two latches, grey, solder pin 0.6 mm x 1 mm			Female connectors with solder pins, with coding fingers, with two latches, orange, solder pin 0.6 mm x 1 mm			Marker strips, 100 self-adhesive strips	
Pin spacing 5 mm			Pin spacing 5.08 mm			Spacing 5 mm	
	straight	angled		straight	angled	1-12 (300x) 210-331/0500-0103	
2**	232-132	232-232	2**	232-162	232-262	13-24 (300x) 210-331/0500-0104	
3**	232-133	232-233	3**	232-1333	232-263	Spacing 5.08 mm	
4	232-134	232-234	4	232-164	232-264	1-12 (200x) 210-331/0508-0103	
5	232-135	232-235	5	232-165	232-265	13-24 (200x) 210-331/0508-0104	
:	:	:	:	:	:	Spacing 7.5 mm	
12	232-142	232-242	12	232-172	232-272	1-16 (100x) 210-331/0750-0202	
:	:	:	:	:	:	Spacing 7.62 mm	
21	232-151	232-251	21	232-181	232-281	1-16 (100x) 210-331/0762-0202	
22	232-152	232-252	22	232-182	232-282	Test plug, with cable 500 mm/1'7.7" long,	
23	232-153	232-253	23	232-183	232-283	2 mm Ø 210-136 red	
24	232-154	232-254	24	232-184	232-284	2.3 mm Ø 210-137 yellow	
Pin spacing 7.5 mm			Pin spacing 7.62 mm				
	straight	angled		straight	angled		
2**	232-732	232-832	2**	232-762	232-862		
3**	232-733	232-833	3**	232-763	232-863		
4	232-734	232-834	4	232-764	232-864		
5	232-735	232-835	5	232-765	232-865		
6	232-736	232-836	6	232-766	232-866		
7	232-737	232-837	7	232-767	232-867		
8	232-738	232-838	8	232-768	232-868		
9	232-739	232-839	9	232-769	232-869		
10	232-740	232-840	10	232-770	232-870		
11	232-741	232-841	11	232-711	232-871		
12	232-742	232-842	12	232-772	232-872		
13	232-743	232-843					
16	232-746	232-846					
**one latch only			**one latch only				

Dimensions (in mm)

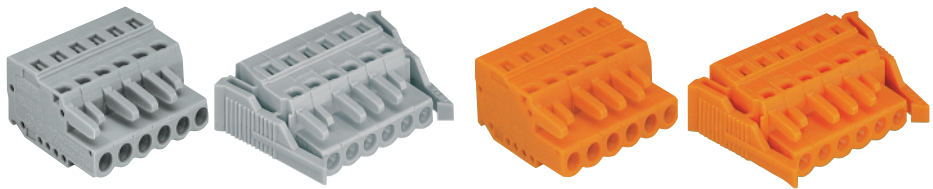


MULTI CONNECTION SYSTEM MIDI

Female Connectors with CAGE CLAMP®

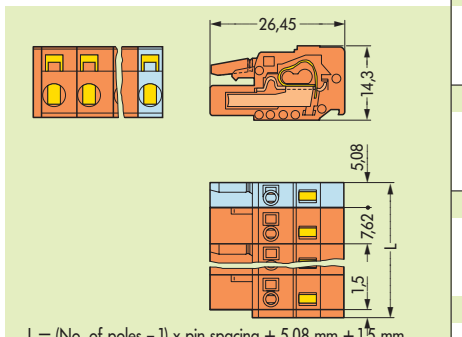
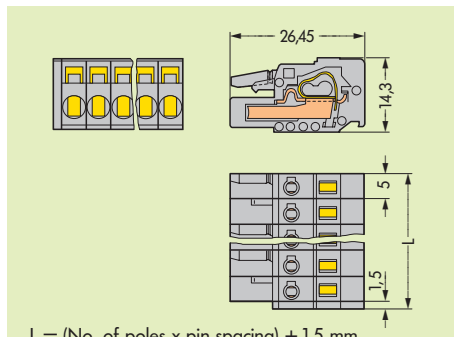
Pin Spacings 5 mm/0.197 in; 5.08 mm/0.2 in; 7.5 mm/0.295 in; 7.62 mm/0.3 in

<p>Pin spacing 5 mm/0.197 in, grey 0.08 – 2.5 mm² AWG 28 – 12 250 V/4 kV/3 300 V, 15 A </p> <p>Pin spacing 7.5 mm/0.295 in, grey 400 V/6 kV/3 300 V, 15 A </p> <p>* </p>	<p>Pin spacing 5.08 mm/0.2 in, orange 0.08 – 2.5 mm² AWG 28 – 12 250 V/4 kV/3 300 V, 15 A </p> <p>16 A</p> <p>Pin spacing 7.62 mm/0.3 in, orange 400 V/6 kV/3 300 V, 15 A </p> <p>* </p>	<p>Accessories</p>
---	---	--------------------



No. of poles	Item No.	Item No.	No. of poles	Item No.	Item No.	Accessories, Series 231	Item No.
Female connectors with CAGE CLAMP®, with coding fingers, with two latches, grey			Female connectors with CAGE CLAMP®, with coding fingers, with two latches, orange			Marker strips, 100 self-adhesive strips	
Pin spacing 5 mm			Pin spacing 5.08 mm			Spacing 5 mm	
with locking device			with locking device			1-12 (300x) 210-331/0500-0103	
2**	231-102/026-000	231-102/037-000	2**	231-302/026-000	231-302/037-000	13-24 (300x) 210-331/0500-0104	
3**	231-103/026-000	231-103/037-000	3**	231-303/026-000	231-303/037-000	Spacing 5.08 mm	
4	231-104/026-000	231-104/037-000	4	231-304/026-000	231-304/037-000	1-12 (200x) 210-331/0508-0103	
5	231-105/026-000	231-105/037-000	5	231-305/026-000	231-305/037-000	13-24 (200x) 210-331/0508-0104	
:	:	:	:	:	:	Spacing 7.5 mm	
12	231-112/026-000	231-112/037-000	12	231-312/026-000	231-312/037-000	1-16 (100x) 210-331/0750-0202	
:	:	:	:	:	:	Spacing 7.62 mm	
21	231-121/026-000	231-121/037-000	21	231-321/026-000	231-321/037-000	1-16 (100x) 210-331/0762-0202	
22	231-122/026-000	231-122/037-000	22	231-322/026-000	231-322/037-000	Insulation stop, 5 pcs/strip	
23	231-123/026-000	231-123/037-000	23	231-323/026-000	231-323/037-000	Spacing 5 mm and 5.08 mm	
24	231-124/026-000	231-124/037-000	24	231-324/026-000	231-324/037-000	0.08 - 0.2 mm ² ①	
Pin spacing 7.5 mm			Pin spacing 7.62 mm			white 231-670	
with locking device			with locking device			0.25 - 0.5 mm ²	
2**	231-202/026-000	231-202/037-000	2**	231-702/026-000	231-702/037-000	light grey 231-671	
3**	231-203/026-000	231-203/037-000	3**	231-703/026-000	231-703/037-000	0.75 - 1 mm ²	
4	231-204/026-000	231-204/037-000	4	231-704/026-000	231-704/037-000	dark grey 231-672	
5	231-205/026-000	231-205/037-000	5	231-705/026-000	231-705/037-000	Spacing 7.5 mm and 7.62 mm	
6	231-206/026-000	231-206/037-000	6	231-706/026-000	231-706/037-000	0.08 - 0.2 mm ² ①	
7	231-207/026-000	231-207/037-000	7	231-707/026-000	231-707/037-000	white 231-673	
8	231-208/026-000	231-208/037-000	8	231-708/026-000	231-708/037-000	0.25 - 0.5 mm ²	
9	231-209/026-000	231-209/037-000	9	231-709/026-000	231-709/037-000	light grey 231-674	
10	231-210/026-000	231-210/037-000	10	231-710/026-000	231-710/037-000	0.75 - 1 mm ²	
11	231-211/026-000	231-211/037-000	11	231-711/026-000	231-711/037-000	dark grey 231-675	
12	231-212/026-000	231-212/037-000	12	231-712/026-000	231-712/037-000	① 0.2 mm ² "s" (0.14 mm ² "f-st")	
13	231-213/026-000	231-213/037-000				Test plug, with cable 500 mm/1.77" long,	
16	231-216/026-000	231-216/037-000				2 mm Ø 210-136 red	
						2.3 mm Ø 210-137 yellow	

Dimensions (in mm)

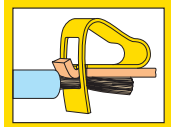


	Screwdriver, with partially insulated shaft (3.5 x 0.5) mm 210-620
	Operating tool, for female and male connectors with CAGE CLAMP® 210-250
	Operating lever, loose, for female and male connectors with CAGE CLAMP® 231-131

* You can find approvals on the Internet at www.wago.com.
Technical explanations and abbreviations see page 10.2.

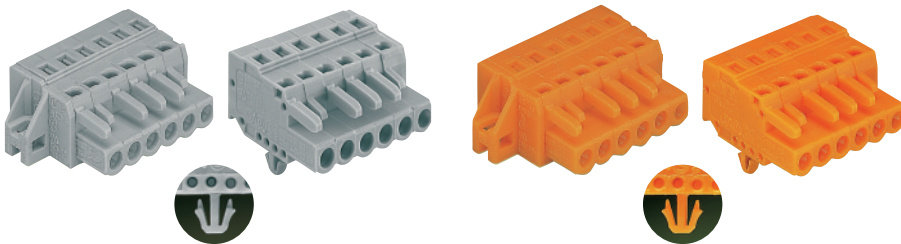
MULTI CONNECTION SYSTEM MIDI

Female Connectors with CAGE CLAMP® and Snap-In Mounting Feet Pin Spacings 5 mm/0.197 in; 5.08 mm/0.2 in; 7.5 mm/0.295 in; 7.62 mm/0.3 in



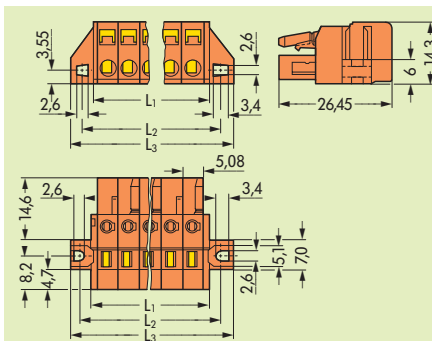
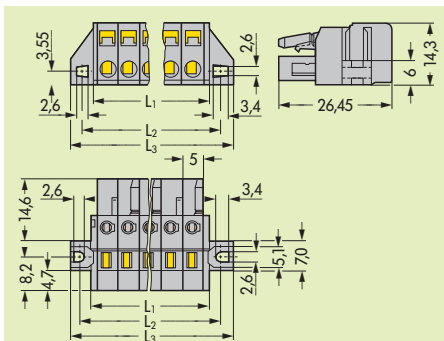
6
15

<p>Pin spacing 5 mm/0.197 in, grey 0.08 – 2.5 mm² AWG 28 – 12 250 V/4 kV/3 300 V, 15 A </p> <p>16 A</p> <p>Pin spacing 7.5 mm/0.295 in, grey 400 V/6 kV/3 300 V, 15 A </p> <p>* </p>	<p>Pin spacing 5.08 mm/0.2 in, orange 0.08 – 2.5 mm² AWG 28 – 12 250 V/4 kV/3 300 V, 15 A </p> <p>16 A</p> <p>Pin spacing 7.62 mm/0.3 in, orange 400 V/6 kV/3 300 V, 15 A </p> <p>* </p>	<p>Accessories</p>
--	--	--------------------



No. of poles	Item No.	Item No.	No. of poles	Item No.	Item No.	Accessories, Series 231	Item No.
Female connectors with CAGE CLAMP® and fixing flanges, for panel mounting, with coding fingers, with two latches, for screw fixing or similar methods, grey			Female connectors with CAGE CLAMP® and fixing flanges, for panel mounting, with coding fingers, with two latches, for screw fixing or similar methods, orange			Marker strips, 100 self-adhesive strips	
and snap-in mounting feet, for plate thickness 0.6 mm – 1.2 mm, fixing hole Ø 3.5 mm, (or with mounting adapter 209-137 for DIN 35 rail)			and snap-in mounting feet, for plate thickness 0.6 mm – 1.2 mm, fixing hole Ø 3.5 mm, (or with mounting adapter 209-137 for DIN 35 rail)			Spacing 5 mm	
Pin spacing 5 mm			Pin spacing 5.08 mm			Spacing 5.08 mm	
with fixing flanges		with mounting feet	with fixing flanges		with mounting feet	Spacing 7.5 mm	
2**	231-102/031-000	231-102/008-000	2**	231-302/031-000	231-302/008-000	1-12 (300x) 210-331/0500-0103 13-24 (300x) 210-331/0500-0104	
3**	231-103/031-000	231-103/008-000	3**	231-303/031-000	231-303/008-000		
4	231-104/031-000	231-104/008-000	4	231-304/031-000	231-304/008-000		
5	231-105/031-000	231-105/008-000	5	231-305/031-000	231-305/008-000		
:	:	:	:	:	:		
12	231-112/031-000	231-112/008-000	12	231-312/031-000	231-312/008-000		
:	:	:	:	:	:		
22	231-122/031-000	231-122/008-000	22	231-322/031-000	231-322/008-000		
23	231-123/031-000	231-123/008-000	23	231-323/031-000	231-323/008-000		
24	231-124/031-000	231-124/008-000	24	231-324/031-000	231-324/008-000		
Pin spacing 7.5 mm			Pin spacing 7.62 mm			Insulation stop, 5 pcs/strip	
with fixing flanges		with mounting feet	with fixing flanges		with mounting feet	Spacing 5 mm and 5.08 mm	
2**	231-203/031-000	231-203/008-000	2**	231-702/031-000	231-702/008-000	0.08 - 0.2 mm ² white 231-670 0.25 - 0.5 mm ² light grey 231-671 0.75 - 1 mm ² dark grey 231-672	
3**	231-204/031-000	231-204/008-000	3**	231-703/031-000	231-703/008-000	Spacing 7.5 mm and 7.62 mm	
4	231-205/031-000	231-205/008-000	4	231-704/031-000	231-704/008-000	0.08 - 0.2 mm ² white 231-673 0.25 - 0.5 mm ² light grey 231-674 0.75 - 1 mm ² dark grey 231-675	
5	231-206/031-000	231-206/008-000	5	231-705/031-000	231-705/008-000		
6	231-207/031-000	231-207/008-000	6	231-706/031-000	231-706/008-000		
7	231-208/031-000	231-208/008-000	7	231-707/031-000	231-707/008-000		
8	231-209/031-000	231-209/008-000	8	231-708/031-000	231-708/008-000		
:	:	:	:	:	:		
16	231-216/031-000	231-216/008-000	12	231-712/031-000	231-712/008-000		
**one latch only			**one latch only			① 0.2 mm²"s" (0.14 mm²"f-st")	

Dimensions L₁ = (No. of poles x pin spacing) + 3 mm L₂ = (No. of poles x pin spacing) + 8.8 mm
L₃ = (No. of poles x pin spacing) + 14.8 mm


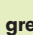





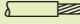


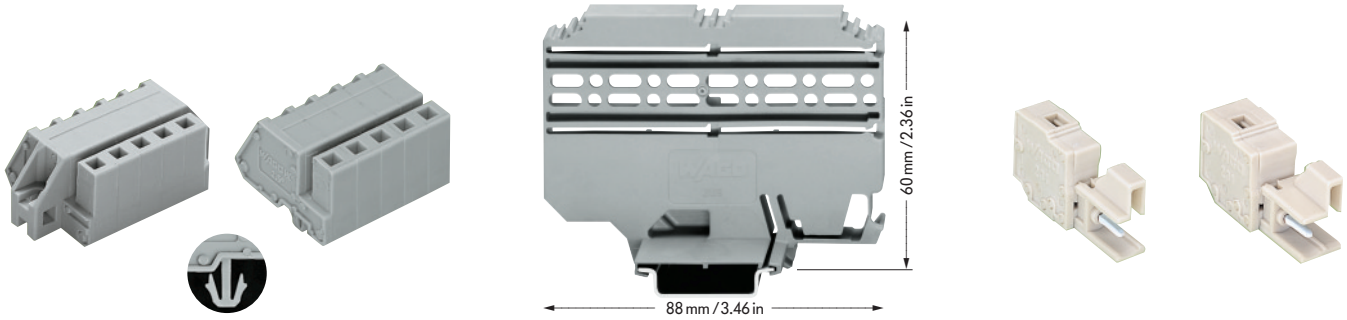
Please find the entire product range in our General Catalogue W4, Volume 2. More information at www.wago.com.

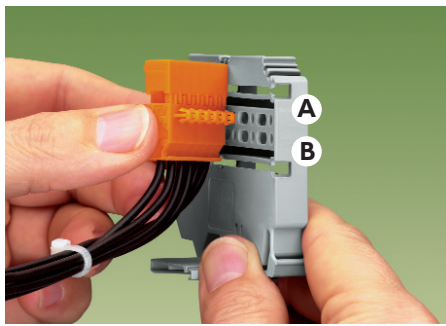




6

MULTI CONNECTION SYSTEM MIDI

Angled Female Connectors with CAGE CLAMP®, Pin Spacings 5 mm/0.197 in and 7.5 mm/0.295 in, Multi Mounting Adapter, Test Plugs

<p>Pin spacing 5 mm/0.197 in, grey 0.08 – 2.5 mm² AWG 28 – 12 250 V/4 kV/3 300 V, 15 A   16 A</p> <p>Pin spacing 7.5 mm/0.295 in, grey 400 V/6 kV/3 300 V, 15 A   *  CCA  GL BV </p>	<p>Multi mounting adapter for male and female connectors with snap-on mounting feet</p> <p>Adapter width 10 mm/0.394 in</p>	<p>Test plugs for female connectors Pin spacings 5 mm; 5.08 mm; 7.5 mm u. 7.62 mm 0.08 – 2.5 mm² AWG 28 – 12 250 V/4 kV/3 12 A</p> <p> 8 – 9 mm / 0.33 in</p>
---	---	---

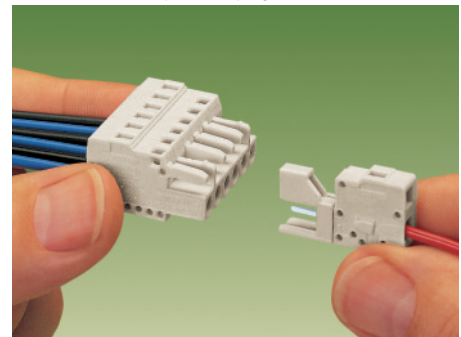
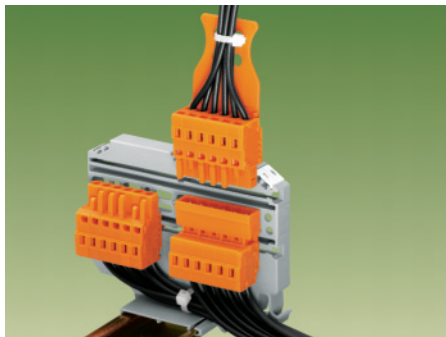
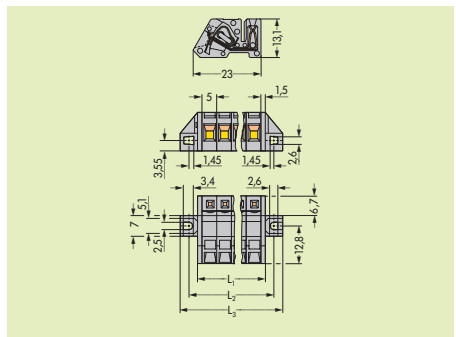


No. of poles	Item No.	Item No.	Item No.	Item No.	
Angled female connectors with CAGE CLAMP® and fixing flanges, for panel mounting for screw fixing or similar methods, grey		Multi mounting adapter 209-148		Test plug for female connectors, with CAGE CLAMP® 0.08 mm ² – 2.5 mm ²	
and snap-in mounting feet, for plate thickness 0.6 mm – 1.2 mm, fixing hole Ø 3.5 mm,		 <p>If either the male or the female connector is equipped with mounting feet and mounted on the adapter using its oblong holes or open grooves (A/B), but the individual counterpart is not, then the connection remains pluggable.</p>		Spacing 5 mm and 5.08 mm 231-661	
Pin spacing 5 mm				Spacing 7.5 mm and 7.62 mm 231-662	
with fixing flanges	with mounting feet			Accessories	
2 731-502/031-000	731-502/008-000			Test plug, with cable 500 mm/17.7" long,	
3 731-503/031-000	731-503/008-000			 2 mm Ø 210-136 red	
4 731-504/031-000	731-504/008-000			2.3 mm Ø 210-137 yellow	
5 731-505/031-000	731-505/008-000			Operating lever, for female and male connectors with CAGE CLAMP®	
:	:			 231-131	
12 731-512/031-000	731-512/008-000			Countersunk screw, M 2 x 12	
:	:			 not offered by WAGO	
17 731-517/031-000	731-517/008-000	Screwdriver, with partially insulated shaft (3.5 x 0.5) mm			
18 731-518/031-000	731-518/008-000	 210-620			
19 731-519/031-000	731-519/008-000	Marker strips, 100 self-adhesive strips			
20 731-520/031-000	731-520/008-000	Spacing 5 mm			
Pin spacing 7.5 mm		1-12 (300x) 210-331/0500-0103			
with fixing flanges	with mounting feet	13-24 (300x) 210-331/0500-0104			
2 731-532/031-000	731-532/008-000	Spacing 7.5 mm			
3 731-533/031-000	731-533/008-000	1-16 (100x) 210-331/0750-0202			
4 731-534/031-000	731-534/008-000				
5 731-535/031-000	731-535/008-000				
6 731-536/031-000	731-536/008-000				
7 731-537/031-000	731-537/008-000				
:	:				
10 731-540/031-000	731-540/008-000				
11 731-541/031-000	731-541/008-000				
12 731-542/031-000	731-542/008-000				

Dimensions (in mm) see also page 6.9

The adapter allows the use of WSB, miniature WSB or WMB marker cards. Marking accessories see chapter 9.

Female connectors of the MULTI CONNECTION SYSTEM MIDI with 5/5.08 mm (0.197/0.2 in) and 7.5/7.62 mm (0.295/0.3 in) pin spacings can be tested with these 1-pole test plugs.



* You can find approvals on the Internet at www.wago.com. Technical explanations and abbreviations see page 10.2.

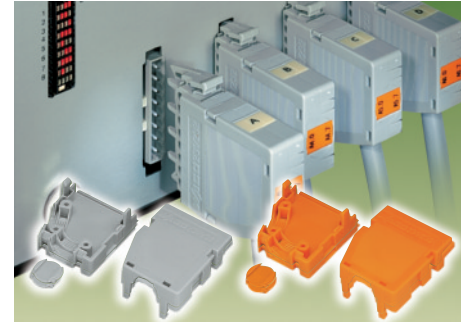
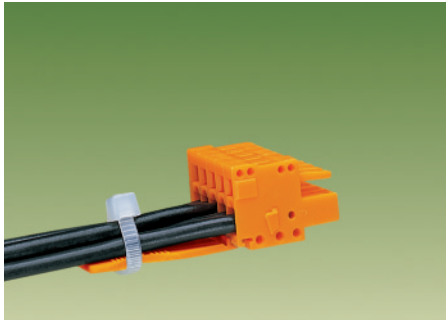
MULTI CONNECTION SYSTEM **MINI** and **MIDI** Strain Relief Plates and Snap-on Type Strain Relief Housings for Series 734, Pin Spacings 5 mm/0.197 in; 5.08 mm/0.2 in; 7.5 mm/0.295 in; 7.62 mm/0.3 in

Strain relief plates suitable for
– Female connectors with CAGE CLAMP®
– Male connectors with CAGE CLAMP®

MULTI CONNECTION SYSTEM **MINI**
Series 734

MULTI CONNECTION SYSTEM **MIDI**
Series 231, 721 and 731

Snap-on type strain relief housings suitable for
– straight and angled female connectors with CAGE CLAMP®
– male connectors with CAGE CLAMP®



Width	Additional Item No.	Width	Additional Item No.	No. of poles	Item No.	Item No.
Strain relief plate, assembled suitable for series 734		Strain relief plate, assembled suitable for series 231, 721 and 731		Snap-on type strain relief housings, consisting of: strain relief support and strain relief housing, suitable for series 734		
6 mm	.../032-000	11.5 mm	.../032-000		Spacing 3.5 mm grey	Spacing 3.81 mm orange
12.5 mm	.../033-000	20 mm	.../033-000	2	734-602*	734-632*
25 mm	.../034-000	30 mm	.../034-000	3	734-603*	734-633*
35 mm	.../035-000	50 mm	.../035-000	:	:	:
Ordering examples: Female connector, pin spacing 3.81 mm, orange, 5 poles, with strain relief plate 734-205/033-000		Ordering examples: Male connector, pin spacing 5 mm, light grey, 8 poles with strain relief plate 721-608/034-000		6	734-606	734-636
				7	734-607	–
				8	734-608	734-638
				9	734-609	734-639
				10	734-610	734-640
				12	734-612	734-642

Strain relief plate, loose suitable for series 734

Item No.	Colour	Width
734-127 734-227	light grey orange	6 mm
734-128 734-228	light grey orange	12.5 mm
734-129 734-229	light grey orange	25 mm
734-126 734-226	light grey orange	35 mm

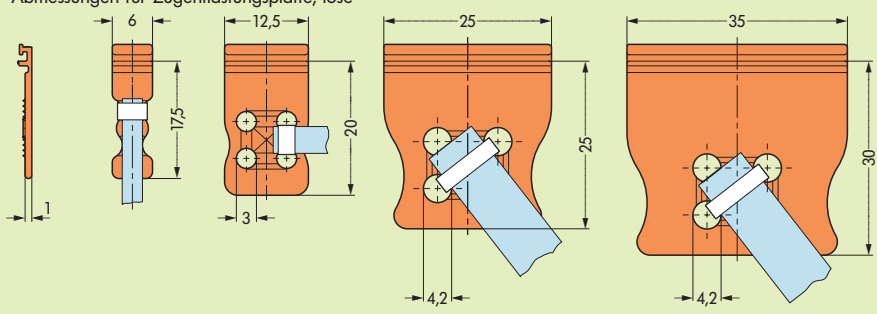
Male connectors as well as female connectors with CAGE CLAMP® can be supplied with assembled strain relief plate. Plates are offered in 4 different sizes.



An additional item number, referring to the width of the strain relief plate, is added to the "basic item number" and determines the type (see ordering examples).

It is therefore possible to order not only the "standard version" of male connectors or female connectors with strain relief plate, but also the version with fixing flanges or snap-in mounting feet.

The arrangement of the fixing holes for cable ties allows single conductors or multicore cables to be attached in several different orientations.

Abmessungen für Zugentlastungsplatte, lose



series 231 and 721		
	Spacing 5 mm	Spacing 5.08 mm
2	232-602	232-632
3	232-603	232-633
:	:	:
6	232-606	232-636
7	232-607	–
8	232-608	232-638
9	232-609	232-639
10	232-610	232-640
12	232-612	232-642
series 231, 721 and 731		
	Spacing 7.5 mm	Spacing 7.62 mm
2	232-662	232-682
3	232-663	232-683
4	232-664	232-684
5	232-665	232-685
7	232-667	232-687
Cable clamp, for strain relief		209-177
	for No. of poles	Spacing/mm
	6 to 12 poles	3.5 + 3.81
	4 to 6 poles	5 + 5.08
3 poles		7.5 + 7.62
Cable clamp, for strain relief		209-174
from 7 poles		5 + 5.08
from 5 poles		7.5 + 7.62
Fixing screws, for cable clamp		209-176
	for No. of poles	Spacing/mm
	4 to 6 poles	5 + 5.08
3 poles		7.5 + 7.62
Fixing screws, for cable clamp		209-172
6 to 12 poles		3.5 + 3.81
Fixing screws, for cable clamp		209-173
from 7 poles		5 + 5.08
from 5 poles		7.5 + 7.62

*2 up to 5 poles only suitable for cable ties (Series 734), 2- to 3-poles only for cable ties (Series 231, 721 and 731)