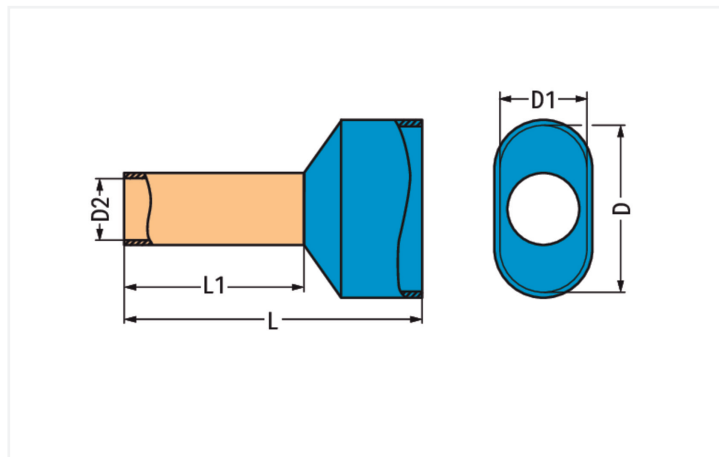


## Data Sheet | Item Number: 216-542

Twin ferrule; Sleeve for 2 x 1 mm<sup>2</sup> / AWG 2 x 18; red, insulated; 12 mm long; red

<https://www.wago.com/216-542>



Color: ■ red

### Technical data

Sleeve cross-section (AWG)	18 AWG
Sleeve for	1 mm <sup>2</sup>

### Connection data

Strip length	12 mm / 0.47 inches
Fine-stranded conductor	1 mm <sup>2</sup> / 18 AWG

### Physical data

Length	19 mm
Crimp length (length of sleeve)	12 mm
Diameter	5.8 mm
Inner Diameter plastic collar	3.2 mm
Diameter crimp sleeve inside	2 mm

### Material data

Color	red
Fire load	0 MJ
Weight	0.2 g

### Commercial data

Product Group	2 (Terminal Block Accessories)
eCl@ss 10.0	27-40-02-01
eCl@ss 9.0	27-40-02-01
ETIM 8.0	EC000005
ETIM 7.0	EC000005
PU (SPU)	500 pcs
Packaging type	Box
Country of origin	DE
GTIN	4045454331542
Customs tariff number	8536901000

Environmental Product Compliance	
RoHS Compliance Status	Compliant, No Exemption

### Downloads

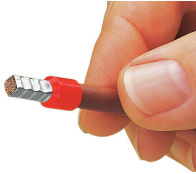
#### Environmental Product Compliance

Compliance Search	
Environmental Product Compliance 216-542	<a href="#">↓</a>

### Documentation

Bid Text			
216-542	19.02.2019	xml 2.57 KB	<a href="#">↓</a>
216-542	04.01.2018	doc 22.00 KB	<a href="#">↓</a>

### Installation Notes



A perfect gas-tight crimp – both electrical-ly and mechanically reliable