

## Data Sheet | Item Number: 216-267

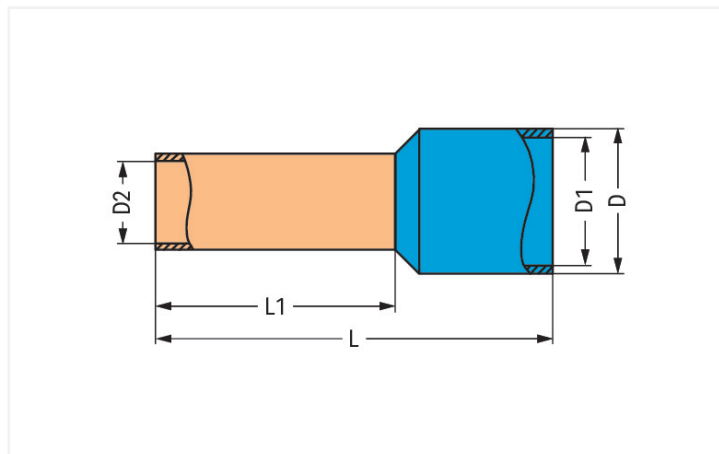
Ferrule; Sleeve for 4 mm<sup>2</sup> / AWG 12; insulated; electro-tin plated; electrolytic copper; gastight crimped; acc. to DIN 46228, Part 4/09.90; gray

<https://www.wago.com/216-267>



Color: ■ gray

Similar to illustration



Dimensions in mm

### Technical data

Sleeve cross-section (AWG)	12 AWG
Sleeve for	4 mm <sup>2</sup>

### Connection data

Strip length	14 mm / 0.55 inches
--------------	---------------------

### Physical data

Length	20 mm
Crimp length (length of sleeve)	12 mm
Diameter	5.4 mm
Inner Diameter plastic collar	4.8 mm
Diameter crimp sleeve inside	2.8 mm

### Mechanical data

Suitable	2004 to 2006 Series
----------	---------------------

### Material data

Color	gray
Fire load	0.001 MJ
Weight	0.2 g

Commercial data	
Product Group	2 (Terminal Block Accessories)
eCl@ss 10.0	27-40-02-01
eCl@ss 9.0	27-40-02-01
ETIM 8.0	EC000005
ETIM 7.0	EC000005
PU (SPU)	500 (100) pcs
Packaging type	Box
Country of origin	DE
GTIN	4055143654739
Customs tariff number	85369010000

Environmental Product Compliance	
RoHS Compliance Status	Compliant, No Exemption

**Downloads**

**Environmental Product Compliance**

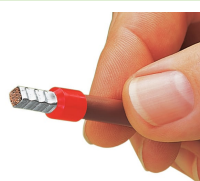
Compliance Search

Environmental Product Compliance 216-267	↓
--	---

**Documentation**

Bid Text			
216-267	19.02.2019	xml 2.80 KB	↓
216-267	11.09.2017	doc 24.00 KB	↓

**Installation Notes**



A perfect gas-tight crimp – both electrical-ly and mechanically reliable

Subject to changes. Please also observe the further product documentation!

Current addresses can be found at: [www.wago.com](http://www.wago.com)