

Data Sheet | Item Number: 216-264

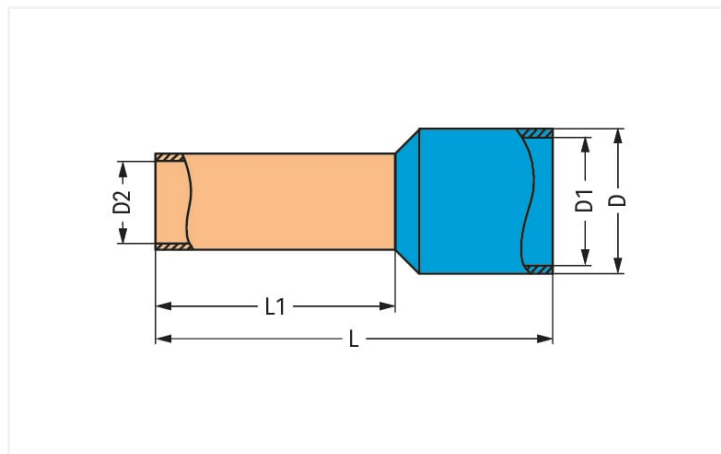
Ferrule; Sleeve for 1.5 mm² / AWG 16; insulated; electro-tin plated; electrolytic copper; gastight crimped; acc. to DIN 46228, Part 4/09.90; black

<https://www.wago.com/216-264>



Color: ■ black

Similar to illustration



Dimensions in mm

Technical data

| | |
|----------------------------|---------------------|
| Sleeve cross-section (AWG) | 16 AWG |
| Sleeve for | 1.5 mm ² |

Connection data

| | |
|--------------|---------------------|
| Strip length | 14 mm / 0.55 inches |
|--------------|---------------------|

Physical data

| | |
|---------------------------------|--------|
| Length | 18 mm |
| Crimp length (length of sleeve) | 12 mm |
| Diameter | 4 mm |
| Inner Diameter plastic collar | 3.5 mm |
| Diameter crimp sleeve inside | 1.7 mm |

Mechanical data

| | |
|----------|---------------------|
| Suitable | 2002 to 2006 Series |
|----------|---------------------|

Material data

| | |
|-----------|----------|
| Color | black |
| Fire load | 0.001 MJ |
| Weight | 0.2 g |

| Commercial data | |
|-----------------------|--------------------------------|
| Product Group | 2 (Terminal Block Accessories) |
| eCl@ss 10.0 | 27-40-02-01 |
| eCl@ss 9.0 | 27-40-02-01 |
| ETIM 8.0 | EC000005 |
| ETIM 7.0 | EC000005 |
| PU (SPU) | 1000 pcs |
| Packaging type | Box |
| Country of origin | DE |
| GTIN | 4044918604291 |
| Customs tariff number | 85369010000 |

| Environmental Product Compliance | |
|----------------------------------|-------------------------|
| RoHS Compliance Status | Compliant, No Exemption |

Downloads

Environmental Product Compliance

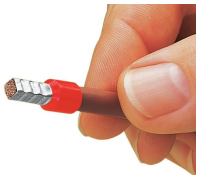
Compliance Search

| | |
|--|---|
| Environmental Product Compliance 216-264 | ↓ |
|--|---|

Documentation

| Bid Text | | | |
|----------|------------|-----------------|---|
| 216-264 | 19.02.2019 | xml 2.80 KB | ↓ |
| 216-264 | 11.09.2017 | doc 23.50 KB | ↓ |

Installation Notes



A perfect gas-tight crimp – both electrical-ly and mechanically reliable

Subject to changes. Please also observe the further product documentation!

Current addresses can be found at: www.wago.com