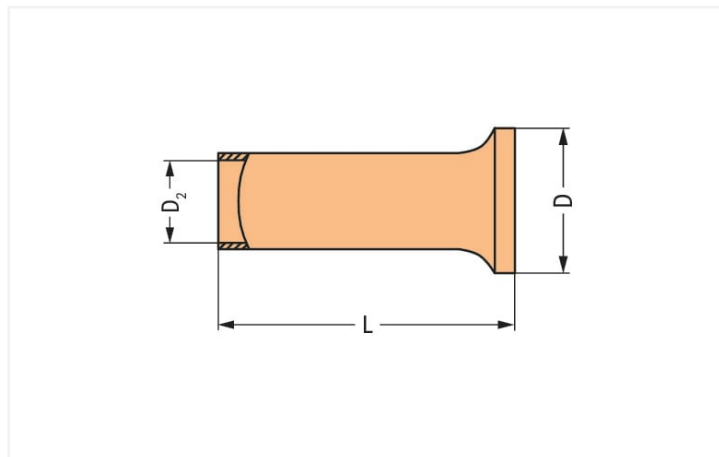


Data Sheet | Item Number: 216-124

Ferrule; Sleeve for 1.5 mm² / AWG 16; uninsulated; electro-tin plated

<https://www.wago.com/216-124>



Dimensions in mm

Technical data

Sleeve cross-section (AWG)	16 AWG
Sleeve for	1.5 mm ²

Connection data

Strip length	6 mm / 0.24 inches
--------------	--------------------

Physical data

Length	6 mm
Diameter	2.8 mm
Diameter crimp sleeve inside	1.7 mm

Material data

Fire load	0 MJ
Weight	0.1 g

Commercial data

Product Group	2 (Terminal Block Accessories)
eCl@ss 10.0	27-40-02-01
eCl@ss 9.0	27-40-02-01
ETIM 8.0	EC000005
ETIM 7.0	EC000005
PU (SPU)	5000 (1000) pcs
Packaging type	Box
Country of origin	DE
GTIN	4017332277662
Customs tariff number	85369010000

Environmental Product Compliance	
RoHS Compliance Status	Compliant, No Exemption

Downloads

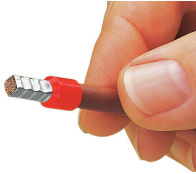
Environmental Product Compliance

Compliance Search	
Environmental Product Compliance 216-124	↓

Documentation

Bid Text			
216-124	11.09.2017	doc 24.00 KB	↓
216-124	19.02.2019	xml 2.77 KB	↓

Installation Notes



A perfect gas-tight crimp – both electrically and mechanically reliable