

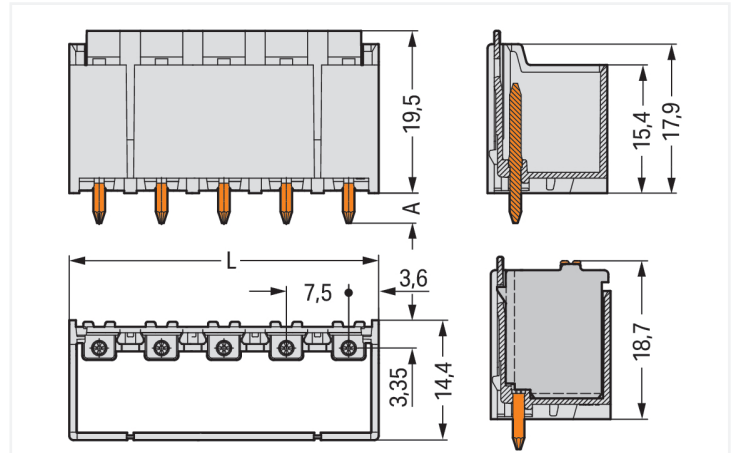
Data Sheet | Item Number: 2092-3402/200-000

THR male header; 1.4 mm Ø solder pin; straight; Pin spacing 7.5 mm; 2-pole; light gray

<https://www.wago.com/2092-3402/200-000>



Color: ■ light gray

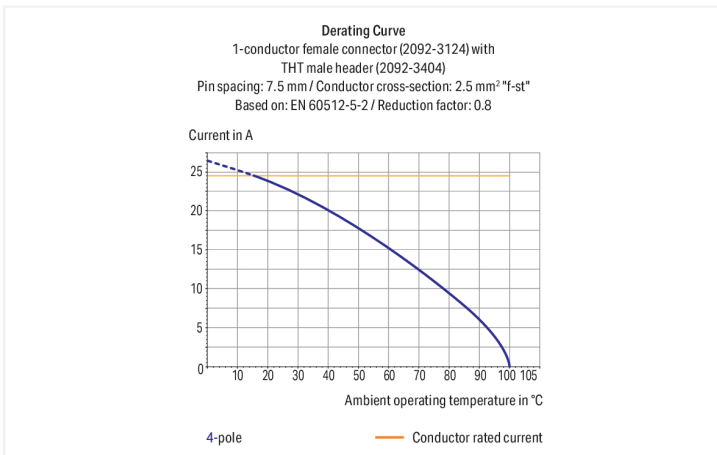


Dimensions in mm

$L = (\text{pole no.} - 1) \times \text{pin spacing} + 7.2 \text{ mm}$

A = 3.6 mm THT solder pin

A = 2.4 mm THR solder pin



Stiftleiste Serie 2092 mit Rastermaß 7,5 mm

Die Stiftleiste hat die Artikelnummer 2092-3402/200-000 und schafft eine fehlerfreie Elektroinstallation. Setzen Sie beim Design-In Ihres Gerätes auf bewährte Sicherheit: Mit Leiterplatten-Steckverbindern erhalten Sie diverse Verwendungsmöglichkeiten. In Breite x Höhe x Tiefe sind die Abmessungen (14,7 x 21,9 x 14,4) mm. Die Oberfläche der Kontakte ist aus Zinn. picoMAX® ist ein kompaktes Steckverbindersystem mit innovativem Design. Es kann die Kontaktkraft einer einzigen Cr-Ni-Stahlfeder zweifach nutzen – einerseits für die Kontaktierung des Steckerstiftes, andererseits für den Anschluss des Leiters. Die Verlotung des Leiterplatten-Steckverbinders erfolgt mittels THR.

Notes

Safety Information

The **picoMAX® Pluggable Connection System** includes connectors without breaking capacity in accordance with DIN EN 61984. When used as intended, these connectors must not be connected/disconnected when live or under load. When used as intended, these connectors must not be connected/disconnected when live or under load. The circuit design should ensure header pins, which can be touched, are not live when unmated.

Variants:

Direct marking
Tape-and-reel packaging
Other versions (or variants) can be requested from WAGO Sales or configured at <https://configurator.wago.com/>.

Electrical data

Ratings per	IEC/EN 60664-1			Approvals per	UL 1059		
Overvoltage category	III	III	II	Use group	B	C	D
Pollution degree	3	2	2	Rated voltage	300 V	-	300 V
Nominal voltage	400 V	630 V	1000 V	Rated current	15 A	-	10 A
Rated surge voltage	6 kV	6 kV	6 kV				
Rated current	16 A	16 A	16 A				

Connection data

Total number of potentials	2	Connection 1
Number of connection types	1	Pole number
Number of levels	1	2

Physical data

Pin spacing	7.5 mm / 0.295 inches
Width	14.7 mm / 0.579 inches
Height	21.9 mm / 0.862 inches
Height from the surface	19.5 mm / 0.768 inches
Depth	14.4 mm / 0.567 inches
Solder pin length	2.4 mm
Solder pin diameter	1.4 mm
Plated through-hole diameter (THR)	1.6 ^(±0.1) mm

Mechanical data

Variable coding	Yes
Anti-rotation protection	Yes

Plug-in connection

Contact type (pluggable connector)	Male connector/plug
Connector (connection type)	for PCB
Mismating protection	No
Plugging without loss of pin spacing	Yes
Mating direction to the PCB	90 °
Locking of plug-in connection	Locking latch

PCB contact

PCB contact	THR
-------------	-----

Material data

Note (material data)	Information on material specifications can be found here
Color	light gray
Material group	I
Insulation material (main housing)	Polyphthalamide (PPA GF)
Flammability class per UL94	V0
Contact material	Electrolytic copper (E _{Cu})
Contact Plating	Tin
Fire load	0.04 MJ
Weight	1.7 g
MSL per J-STD 020D	1

Environmental requirements

Limit temperature range	-60 ... +100 °C
Processing temperature	-35 ... +60 °C

Commercial data

eCl@ss 10.0	27-44-04-02
eCl@ss 9.0	27-44-04-02
ETIM 9.0	EC002637
ETIM 8.0	EC002637
PU (SPU)	100 pcs
Packaging type	Box
Country of origin	DE
GTIN	4050821396512
Customs tariff number	85366930000

Environmental Product Compliance

RoHS Compliance Status	Compliant, No Exemption
------------------------	-------------------------

Approvals / Certificates

General approvals



Approval	Standard	Certificate Name
CSA DEKRA Certification B.V.	C22.2	2362521
cURus Underwriters Laboratories Inc.	UL 1059	E45172
KEMA/KEUR DEKRA Certification B.V.	EN 61984	71-102261 REV.2
UL Underwriters Laboratories Inc.	UL 1977	E45171

Downloads

Environmental Product Compliance

Compliance Search	
Environmental Product Compliance 2092-3402/200-000	↓

Documentation

Additional Information			
Technical Section	03.04.2019	pdf 2027.26 KB	↓
		pdf 611.20 KB	↓

CAD/CAE-Data

CAD data	
2D/3D Models 2092-3402/200-000	↓

CAE data	
ZUKEN Portal 2092-3402/200-000	↓

PCB Design	
Symbol and Footprint via SamacSys 2092-3402/200-000	↓
Symbol and Footprint via Ultra Librarian 2092-3402/200-000	↓

1 Compatible Products

1.1 System counterpart

1.1.1 Female connector/socket



Item No.: 2092-3122
 1-conductor female connector; push-button; Push-in CAGE CLAMP®; 2.5 mm²; Pin spacing 7.5 mm; 2-pole; 2,50 mm²; light gray

1.2 Optional Accessories

1.2.1 Coding

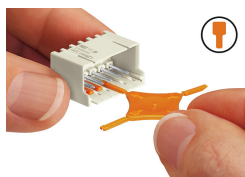
1.2.1.1 Coding



Item No.: 2092-1610
 Coding key carrier; orange

Installation Notes

Coding



Coding a male header (via coding key carrier and two keys for male header, see symbol).