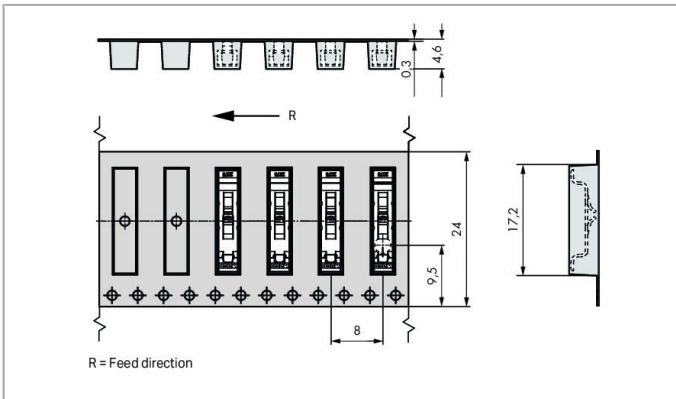
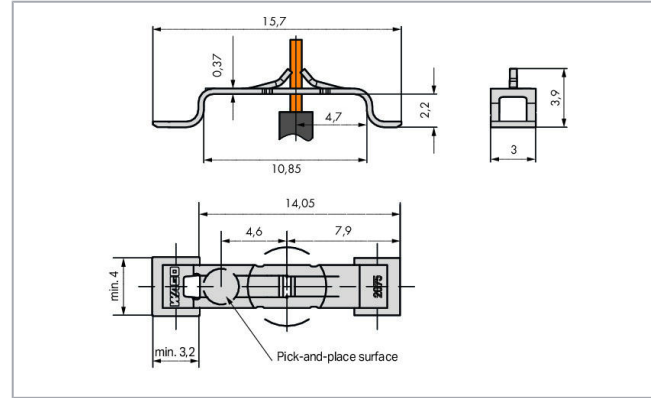
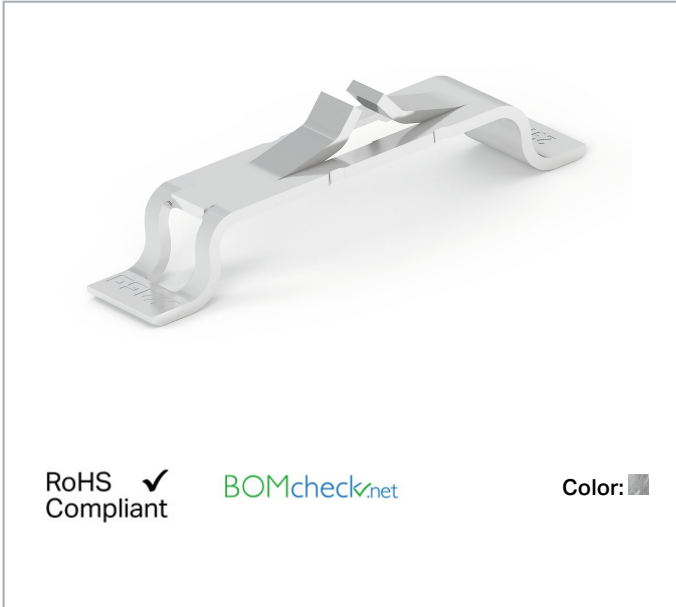


## Data sheet | Item number: 2075-381/997-404

Through-Board SMD PCB Terminal Block; Pin spacing 3 mm; 1-pole; PUSH WIRE®; in tape-and-reel packaging; Without housing; 0,75 mm<sup>2</sup>; silver-colored



[www.wago.com/2075-381/997-404](http://www.wago.com/2075-381/997-404)



### Item description

- For vertical wiring
- Wiring performed on the back of the LED module simplifies lighting manufacturing
- Low installation height minimizes on-board LED shadowing
- Compact design provides uniform light distribution
- An economical alternative to wire soldering
- For manual and automated wiring systems

Subject to changes. Please also observe the further product documentation!

WAGO Kontakttechnik GmbH & Co. KG  
Hansastr. 27  
32423 Minden  
Phone: +49571 887-0 | Fax: +49571 887-169  
Email: [info.de@wago.com](mailto:info.de@wago.com) | Web: [www.wago.com](http://www.wago.com)

Do you have any questions about our products?  
We are always happy to take your call at +49 (571) 887-44222.

**Note:**

Terminal block without insulation housing!

Protection against accidental contact must be provided at voltages higher than low voltages (e.g., SELV/PELV) for the relevant application.

**Data**

**Electrical data**

**Ratings per IEC/EN 60664-1**

Ratings per	IEC/EN 60664-1
Nominal voltage (II/2)	500 V
Rated surge voltage (II/2)	4 kV
Rated current	9 A
Legend (ratings)	(III / 2) ≙ Overvoltage category III / Pollution degree 2

**Ratings per UL 1059**

Approvals per	UL 1059
---------------	---------

**Ratings per CSA**

Approvals per	CSA
---------------	-----

**Connection data**

Connection technology	PUSH WIRE®
Actuation type	Push-in
Solid conductor	0.34 ... 0.75 mm <sup>2</sup> / 20 ... 18 AWG
Strip length	3.7 mm / 0.15 inch
Conductor connection direction to PCB	90°
Pole No.	1
Total number of connection points	1
Total number of potentials	1
Number of connection types	1
Number of levels	1

Subject to changes. Please also observe the further product documentation!



## Physical data

Width	3 mm / 0.118 inch
Height	3.9 mm / 0.154 inch
Depth	17.5 mm / 0.689 inch
Reel diameter of tape-and-reel packaging	330 mm
Tape width	24 mm

## PCB contact

PCB Contact	SMD
-------------	-----

## Material data

Color	silver-colored
Insulation material	Polyamide (PA66)
Flammability class per UL94	V0
Clamping spring material	Chrome nickel spring steel (CrNi)
Contact material	Electrolytic copper (E <sub>Cu</sub> )
Contact plating	tin-plated
Weight	0.2 g

## Environmental requirements

Limit temperature range	-60 ... +105 °C
-------------------------	-----------------

## Commercial data

Packaging type	BOX
Country of origin	CH
GTIN	4055143607636
Customs tariff number	85369010000

## Approvals / Certificates

### Country specific Approvals

Logo	Approval	Additional Approval Text	Certificate name
	<b>CB</b> DEKRA Certification B.V.	IEC 60998	NL-57046
	<b>KEMA/KEUR</b> DEKRA Certification B.V.	EN 60998	71- 107567

Subject to changes. Please also observe the further product documentation!


WAGO Kontakttechnik GmbH & Co. KG  
Hansastr. 27  
32423 Minden  
Phone: +49571 887-0 | Fax: +49571 887-169  
Email: [info.de@wago.com](mailto:info.de@wago.com) | Web: [www.wago.com](http://www.wago.com)

Do you have any questions about our products?  
We are always happy to take your call at +49 (571) 887-44222.



---

#### UL-Approvals

Logo	Approval	Additional Approval Text	Certificate name
	cURus Underwriters Laboratories Inc.	UL 1977	E45171 Sec. 24

---

#### Downloads

##### CAD/CAE-Data

###### CAD data

2D/3D Models 2075-381/997-404	URL	Download
-------------------------------	-----	----------

---

###### CAE data

ZUKEN Portal 2075-381/997-404	URL	Download
-------------------------------	-----	----------

---

#### Installation Notes

Subject to changes. Please also observe the further product documentation!

---

WAGO Kontakttechnik GmbH & Co. KG  
Hansastr. 27  
32423 Minden  
Phone: +49571 887-0 | Fax: +49571 887-169  
Email: [info.de@wago.com](mailto:info.de@wago.com) | Web: [www.wago.com](http://www.wago.com)

Do you have any questions about our products?  
We are always happy to take your call at +49 (571) 887-44222.