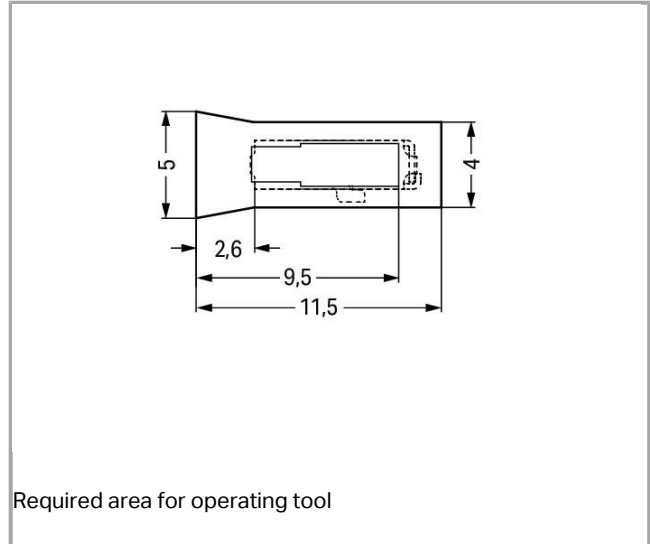
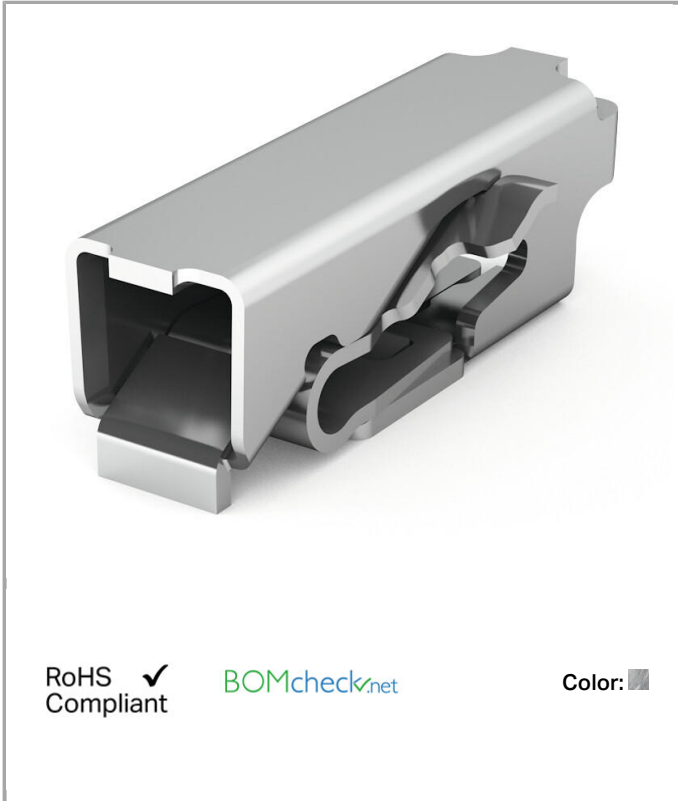


Data sheet | Item number: 2065-100/998-403

SMD PCB terminal block; push-button; 0.75 mm<sup>2</sup>; Pin spacing 6.5 mm; 1-pole; Push-in CAGE CLAMP®; in tape-and-reel packaging; Without housing; 0,75 mm<sup>2</sup>; silver-colored



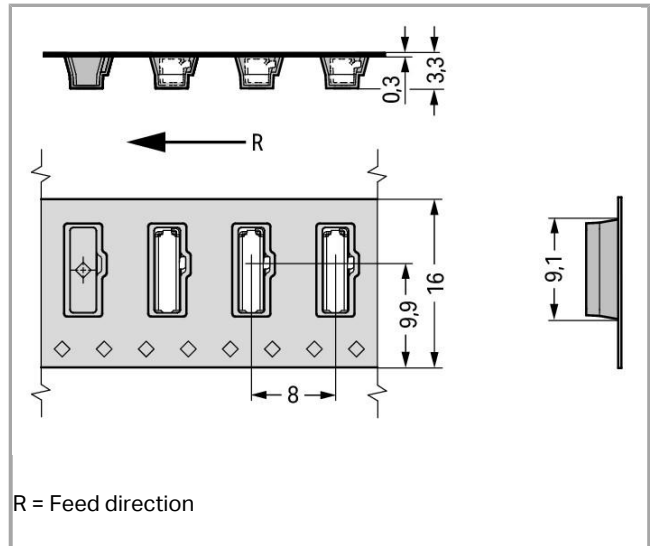
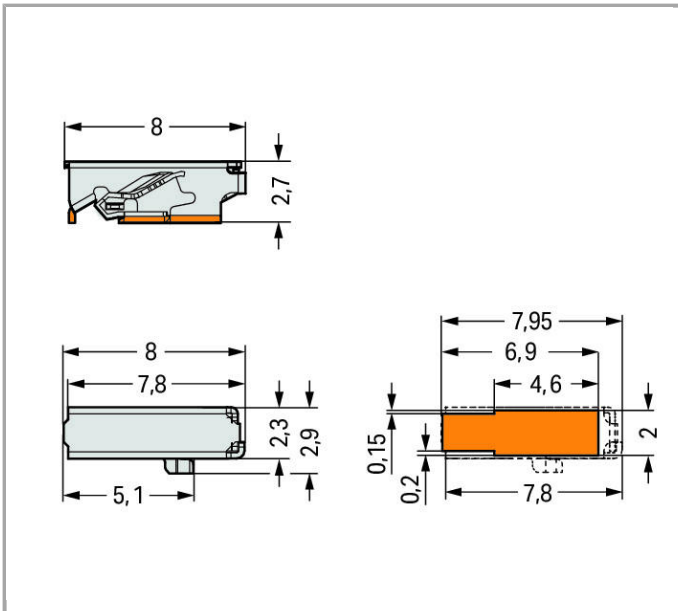
[www.wago.com/2065-100/998-403](http://www.wago.com/2065-100/998-403)



RoHS  Compliant

BOMcheck.net

Color:





### Item description

- SMD PCB terminal block with Push-in CAGE CLAMP® connection technology and push-button
- Push-in termination of solid conductors  
Convenient termination/removal of fine-stranded conductors via operating tool
- Just 2.7 mm tall
- Available in tape-and-reel packaging for automated assembly
- PUSH WIRE® version without push-button available (only for solid conductors)

### Note:

Die Bemessungsdaten basieren auf dem exemplarischen Rastermaß von 6,5 mm.

Das Layout ist gemäß den Anforderungen der Isolationskoordination EN/IEC 60664-1 bzw. der Endgerätenormen auszulegen.

### Safety information 1:

**NOTE: Terminal block without insulation housing! Protection against accidental contact must be provided at voltages higher than low voltages (e.g., SELV/PELV) for the relevant application.**

### Data

#### Electrical data

#### Ratings per IEC/EN 60664-1

Rated voltage (III / 3)	320 V
Rated impulse voltage (III / 3)	4 kV
Rated voltage (III / 2)	320 V
Rated impulse voltage (III / 2)	4 kV
Rated voltage (II / 2)	630 V
Rated impulse voltage (II / 2)	4 kV
Rated current	9 A

## Approvals per UL 1977

Rated voltage per UL 1977 (factory wiring only)	600 V
Rated current per UL 1977 (factory wiring only)	9 A

## Connection data

Connection technology	Push-in CAGE CLAMP®
Actuation type	Push-button
Solid conductor	0.2 ... 0.75 mm <sup>2</sup> / 24 ... 18 AWG
Fine-stranded conductor	0.2 ... 0.75 mm <sup>2</sup> / 24 ... 18 AWG
Strip length	7.5 ... 9.5 mm / 0.3 ... 0.37 inch
Conductor entry angle to the PCB	0°
Total number of connection points	1
Total number of potentials	1
Number of connection types	1
Number of levels	1
No. of poles	1
Leiterquerschnitte eindrätig	0.2 mm <sup>2</sup>

## Geometrical Data

Pin spacing	6.5 mm / 0.256 inch
Width	2.9 mm / 0.114 inch
Height	2.7 mm / 0.106 inch
Depth	8 mm / 0.315 inch
Reel diameter of tape-and-reel packaging	330 mm
Tape width	16 mm

## PCB contact

PCB contact	SMD
-------------	-----

## Material Data

Color	silver-colored
Insulating material	Polyamide 66 (PA 66)
Clamping spring material	Chrome nickel spring steel (CrNi)
Contact material	Copper alloy
Contact plating	tin-plated
Weight	0.14 g

## Environmental Requirements



Limit temperature range	-60 ... +120 °C
-------------------------	-----------------

## Commercial data


Country of origin	CH
GTIN	4055143665469

## Approvals / Certificates

### Country specific Approvals

Logo	Approval	Additional Approval Text	Certificate name
	<b>CB</b> DEKRA Certification B.V.	EN 60947-7-4	NL-49896 (IEC 60947-7- 4:2013)
	<b>KEMA/KEUR</b> DEKRA Certification B.V.	EN 60998	71- 102159
	<b>KEMA/KEUR</b> DEKRA Certification B.V.	EN 60947-7-4	71- 102154

### UL-Approvals

Logo	Approval	Additional Approval Text	Certificate name
	<b>UR</b> Underwriters Laboratories Inc.	UL 1977	E45171 sec. 25

## Compatible products

### tools

	<b>Item no.: 2065-189</b> Operating tool; made of insulating material; white	<a href="http://www.wago.com/2065-189">www.wago.com/2065-189</a>
--	---	--

## Downloads

### Documentation

#### Additional Information

Technical explanations	Apr 3, 2019	pdf 3.6 MB	Download
------------------------	-------------	---------------	----------

## CAD/CAE - Smart Data



CAD data

3D Download 2065-100/998-403

URL

Download

---

Subject to changes.