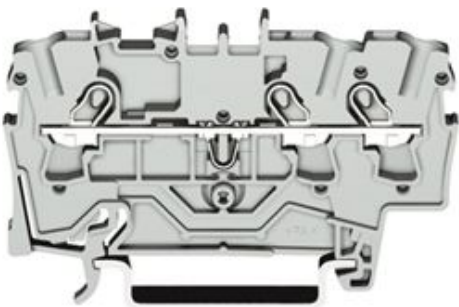


---

Item no.: 2002-1303  
Product description: 3-CONDUCTOR THROUGH TERMINAL BLOCK SUITABLE FOR EX E APPLICATIONS

---



Produkt kann von Bild abweichen / product may differ

Packing unit 100 pieces

RoHS compliant

Current intensity EN	32 A
Product group	22 (TOPJOB S RAIL-MOUNTED TERMINAL BLOCKS)
Cross section [mm <sup>2</sup> ]	0.25 - 2.5 mm <sup>2</sup>
Cross section [AWG]	22 - 12 AWG
Connection method	CAGE CLAMP®S Connection
Cross section [mm <sup>2</sup> ]	0.25 - 4 mm <sup>2</sup>
Cross section [AWG]	22 - 12 AWG
Wiring method	e+f
Connection method	CAGE CLAMP®S Connection
Measured voltage EN	800 V
Measured shock voltage	8 kV
Pollution degree	3
Current intensity EN	24 A
Weight	5.368 g
Color	red
Wiring type	Front-entry
No. of connection Points	2
No. of potentials	1

Height	33 mm
Height	1.28 in
Width	5.2 mm
Width	0.205 in



Depth	59.5 mm
Depth	2.34 in
Strip length from	10 mm
Strip length to	12 mm
Strip length	0.43 in
Customs Tariff No.	85369010
Country of Origin	Deutschland
Mounting	TS 35



Item no.	Admission office	Approval no.	Voltage [V]	Current [A]	Cross section [ mm <sup>2</sup> ]
2002-1303	ABS	05-HG476175/3-PDA	800	24	0,5-4
2002-1303	AEX	E185892	550	20	22-12
2002-1303	CCA	NL6387	800	24/32	0,2-2,5/4
2002-1303	CSA	154112-1536069	600	20	22-12
2002-1303	DNV	E-10423	800	24	0,5-4
2002-1303	GL	26187-05HH	800	24	0,25-2,5
2002-1303	KEMA	NL2116586.02	800	24	0,5-4
2002-1303	LR	91/20112(E6)	800	24	0,5-4
2002-1303	PRS	TE/1718/880590/08	800	24	0,2-4
2002-1303	PTB	IECEXPTB03.0004U	550	22	0,2-4
2002-1303	PTB	PTB03AteX1162U	550	22	0,2-4
2002-1303	RosTest	8189158	550	22	0,2-4
2002-1303	UR	E45172	600	20	22-12

Sorting criteria: admission office - approval number

© WAGO Kontakttechnik GmbH & Co. KG

Specifications are subject to changes and errors may be expected