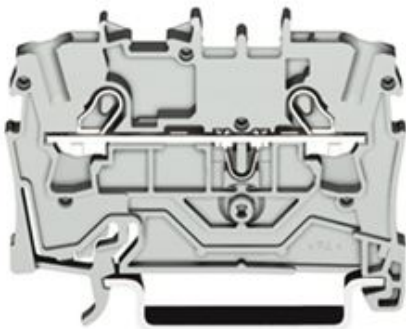


---

Item no.: 2002-1205  
Product description: 2-CONDUCTOR THROUGH TERMINAL BLOCK SUITABLE FOR EX E APPLICATIONS up to 120°C

---



Produkt kann von Bild abweichen / product may differ

Packing unit 100 pieces

RoHS compliant

|                                  |  |
|----------------------------------|--|
| Weight                           | 4.369 g                                    |
| Current intensity EN             | 32 A                                       |
| Product group                    | 22 (TOPJOB S RAIL-MOUNTED TERMINAL BLOCKS) |
| Cross section [mm <sup>2</sup> ] | 0.25 - 2.5 mm <sup>2</sup>                 |
| Cross section [AWG]              | 22 - 12 AWG                                |
| Connection method                | CAGE CLAMP®S Connection                    |
| Cross section [mm <sup>2</sup> ] | 0.25 - 4 mm <sup>2</sup>                   |
| Cross section [AWG]              | 22 - 12 AWG                                |
| Wiring method                    | e+f  |
| Connection method                | CAGE CLAMP®S Connection                    |
| Measured voltage EN              | 800 V                                      |
| Measured shock voltage           | 8 kV                                       |
| Pollution degree                 | 3  |
| Current intensity EN             | 24 A                                       |
| Color                            | black                                      |
| Wiring type                      | Front-entry                                |
| No. of connection Points         | 2  |
| No. of potentials                | 1  |

|        |          |
|--------|----------|
| Height | 33 mm    |
| Height | 1.28 in  |
| Width  | 5.2 mm   |
| Width  | 0.205 in |



|                    |             |
|--------------------|-------------|
| Depth              | 48.5 mm     |
| Depth              | 1.909 in    |
| Strip length from  | 10 mm       |
| Strip length to    | 12 mm       |
| Strip length       | 0.43 in     |
| Customs Tariff No. | 85369010    |
| Country of Origin  | Deutschland |
| Mounting           | TS 35       |



| Item no.  | Admission office | Approval no.      | Voltage [V] | Current [A] | Cross section [ mm <sup>2</sup> ] |
|-----------|------------------|-------------------|-------------|-------------|-----------------------------------|
| 2002-1205 | ABS              | 05-HG476175/3-PDA | 800         | 24          | 0,5-4                             |
| 2002-1205 | CCA              | NL6387            | 800         | 24/32       | 0,2-2,5/4                         |
| 2002-1205 | CSA              | 154112-1536069    | 600         | 20          | 22-12                             |
| 2002-1205 | DNV              | E-10423           | 800         | 24          | 0,5-4                             |
| 2002-1205 | GL               | 26187-05HH        | 800         | 24          | 0,25-2,5                          |
| 2002-1205 | KEMA             | NL2116586.02      | 800         | 24          | 0,5-4                             |
| 2002-1205 | LR               | 91/20112(E6)      | 800         | 24          | 0,5-4                             |
| 2002-1205 | PRS              | TE/1718/880590/08 | 800         | 24          | 0,5-4                             |
| 2002-1205 | PTB              | IECExPTB03.0004U  | 550         | 22          | 0,2-4                             |
| 2002-1205 | PTB              | PTB03Atox1162U    | 550         | 22          | 0,2-4                             |
| 2002-1205 | RosTest          | 8189158           | 550         | 22          | 0,2-4                             |
| 2002-1205 | UR               | E45172            | 600         | 20          | 22-12                             |

Sorting criteria: admission office - approval number

© WAGO Kontakttechnik GmbH & Co. KG

Specifications are subject to changes and errors may be expected