

Data

Electrical data

Ratings per IEC/EN 60664-1

Nominal voltage (III/3)	800 V
Rated current	14 A

Ex information

Rated current (Ex e II)	12 A
-------------------------	------

Physical data

Width	34 mm / 1.339 inch
Height	19 mm / 0.748 inch
Depth	4.1 mm / 0.161 inch

Subject to changes. Please also observe the further product documentation!

WAGO Canada, Inc.
1550 Yorkton Court - Unit 1
Burlington, ON L7P 5B7
Tel.: +1-888-9246-221
Email: info.ca@wago.com

Do you have any questions about our products?
We are always happy to take your call at +1-888-WAGO-221 (9246-221).



Material data

Color	red
Fire load	0.023 MJ
Weight	2.9 g

Commercial data

Product Group	22 (TOPJOB S)
Packaging type	bag
Country of origin	DE
GTIN	4055143698252
Customs tariff number	85366990990

Downloads

Documentation

Bid Text

2000-410/000-005 X81 - Datei	Feb 19, 2019	xml 2.6 kB	Download
2000-410/000-005 doc - Datei	Apr 27, 2017	doc 24.1 kB	Download
Additional Information Technical explanations	Apr 3, 2019	pdf 2.2 MB	Download

CAD/CAE-Data

CAD data

2D/3D Models 2000-410/000-005	URL	Download
-------------------------------	-----	----------

CAE data

EPLAN Data Portal 2000-410/000-005	URL	Download
WSCAD Universe 2000-410/000-005	URL	Download
WSCAD Universe 2000-410/000-005	URL	Download

EPLAN Data Portal 2000-410/000-005

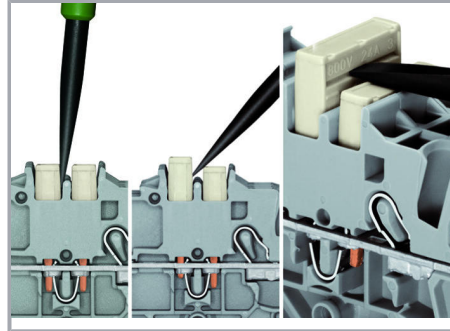
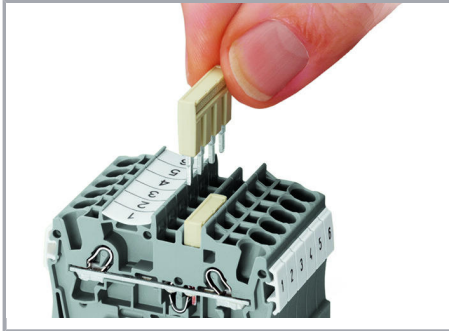
Subject to changes. Please also observe the further product documentation!

WAGO Canada, Inc.
1550 Yorkton Court - Unit 1
Burlington, ON L7P 5B7
Tel.: +1-888-9246-221
Email: info.ca@wago.com

Do you have any questions about our products?
We are always happy to take your call at +1-888-WAGO-221 (9246-221).

Installation Notes

Commoning



The push-in type jumper bar system is based on the common plug and socket principle. Each terminal block is spring-loaded with a double socket and a resilient CrNi steel spring. The jumper contact material is pure electrolytic copper, which allows for an extremely small design capable of carrying the full-rated current of the terminal block. Ground terminal blocks can also be commoned using the same jumper system. Custom jumpers are created by breaking and removing jumper contacts (2000, 2001, 2002, 2004 Series).

Removing a push-in type jumper bar.

Insert the operating tool between the jumper and the partition wall of the dual jumper slots, then lift up the jumper.

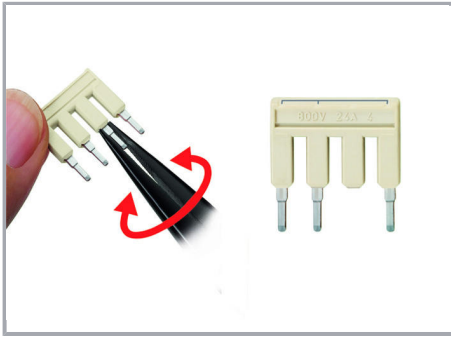
Place the operating tool in the center of jumpers up to five contacts (see above), or alternately on both sides for jumpers with more than five contacts.

Commoning

Subject to changes. Please also observe the further product documentation!

WAGO Canada, Inc.
1550 Yorkton Court - Unit 1
Burlington, ON L7P 5B7
Tel.: +1-888-9246-221
Email: info.ca@wago.com

Do you have any questions about our products?
We are always happy to take your call at +1-888-WAGO-221 (9246-221).



Custom push-in type jumper bars are created by breaking off jumper contacts.

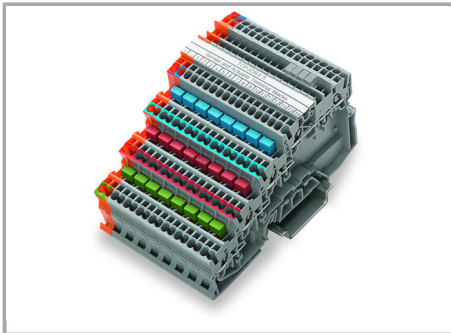


Marking a push-in type jumper bar using a felt-tip pen.

500 V

300 V

Commoning



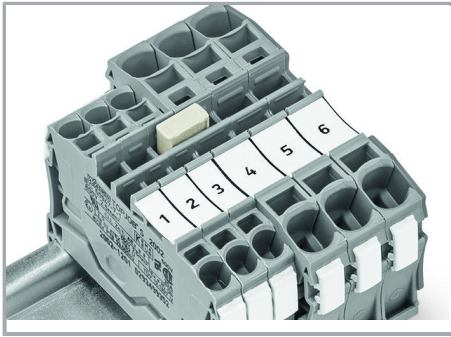
An application example: colored push-in type jumper bars are used with sensor terminal blocks.

Commoning

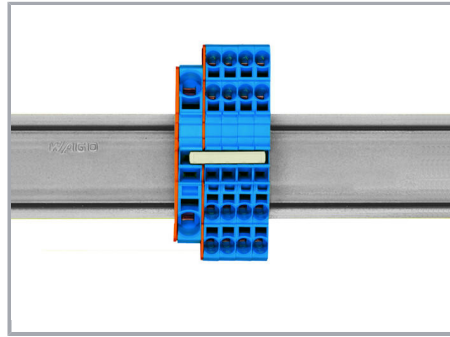
Subject to changes. Please also observe the further product documentation!

WAGO Canada, Inc.
1550 Yorkton Court - Unit 1
Burlington, ON L7P 5B7
Tel.: +1-888-9246-221
Email: info.ca@wago.com

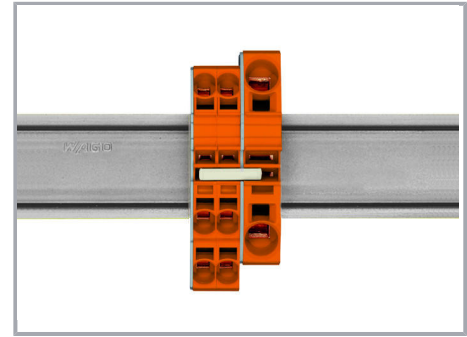
Do you have any questions about our products?
We are always happy to take your call at +1-888-WAGO-221 (9246-221).



Stepping down via push-in type jumper bar.



Stepping down via push-in type jumper bar.



Stepping down via push-in type jumper bar.

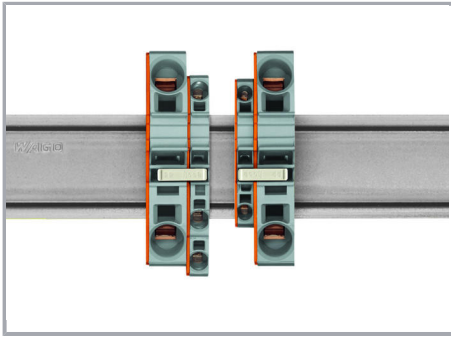
Commoning via closed terminal side with end plate allows jumpering over two cross-section sizes, e.g., from 16 mm² (6 AWG) to 6 mm² (10 AWG) or from 6 mm² (10 AWG) to 2.5 mm² (14 AWG) (see illustration above).

Commoning via open terminal side with end plate allows jumpering over two cross-section sizes for 16 mm² (6 AWG) and 10 mm² (8 AWG) and one cross-section size for 6/4/2.5 mm² (10/12/14 AWG). An example: from 16 mm² (6 AWG) to 6 mm² (10 AWG) (see illustration above) or from 10 mm² (8 AWG) to 4 mm² (12 AWG).

Subject to changes. Please also observe the further product documentation!

WAGO Canada, Inc.
1550 Yorkton Court - Unit 1
Burlington, ON L7P 5B7
Tel.: +1-888-9246-221
Email: info.ca@wago.com

Do you have any questions about our products?
We are always happy to take your call at +1-888-WAGO-221 (9246-221).



Note:

The total current of the outgoing circuits shall not exceed the nominal current of the step-down jumper/push-in type jumper bar.

Product family

TOPJOB® S

TOPJOB® S: In various industrial applications and modern building installations, WAGO's wide and versatile range of rail-mount terminal blocks provides more than just reliable electrical connections.

[Show all products from the family](#)

Subject to changes. Please also observe the further product documentation!

WAGO Canada, Inc.
1550 Yorkton Court - Unit 1
Burlington, ON L7P 5B7
Tel.: +1-888-9246-221
Email: info.ca@wago.com

Do you have any questions about our products?
We are always happy to take your call at +1-888-WAGO-221 (9246-221).