



PART NUMBER: 08J5003JE

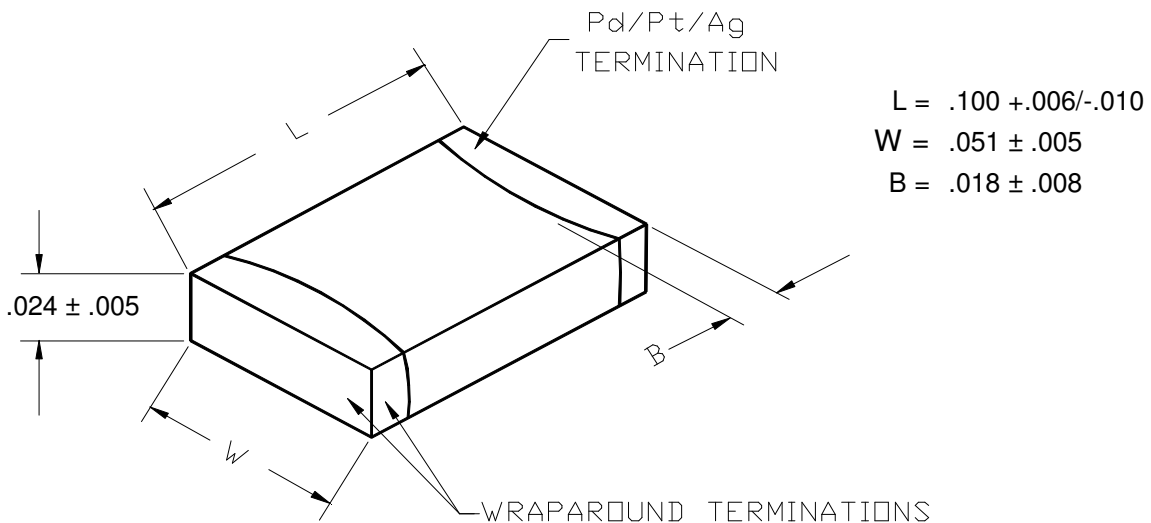
CURVE: 8
 R @ 25°C: 500000
 TOLERANCE: ± 5%

RESISTANCE VS. TEMPERATURE FOR CURVE

TEMP. °C	CURVE RESISTANCE	MANUF. TOLERANCE.	TEMP. °C	CURVE RESISTANCE	MANUF. TOLERANCE.
-50	28307000	± 8.5%	60	126650	± 6.2%
-40	14767500	± 8%	70	89300	± 6.6%
-30	8021000	± 7.4%	80	64050	± 6.9%
-20	4520000	± 6.9%	90	46650	± 7.1%
-10	2634500	± 6.4%	100	34485	± 7.4%
0	1583500	± 6%	110	25835	± 7.6%
10	979000	± 5.5%	120	19600	± 7.9%
25	500000	± 5%	130	15050	± 8.1%
30	404500	± 5.2%	140	11685	± 8.4%
40	269150	± 5.6%	150	9170	± 8.5%
50	182850	± 6%			

STEINHART-HART COEFFICIENTS & BETA @ 0 °C TO 100 °C

A = 0.000363011
 B = 0.000211037 BETA: 3901
 C = 0.000000098



October 11, 2007