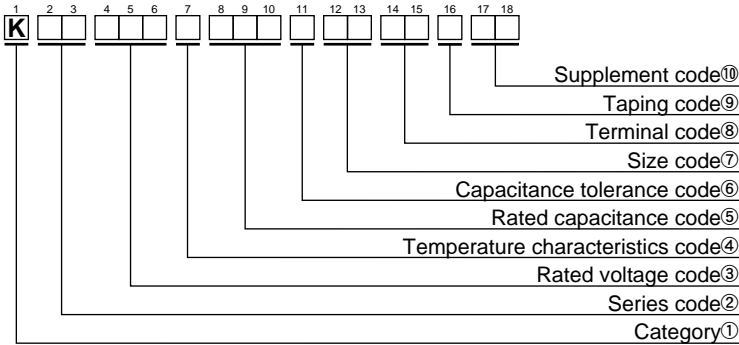


Part Numbering System

The current parts numbering system is changed to new system for global coding.
Your cooperation will be very much appreciated.

◆Multilayer Ceramic Capacitors



①Category

Code	Details
K	Multilayer Ceramic Capacitors

②Series code

Code	Series
TS	NTS
TF	NTF
TD	NTD
TP	NTP
HC	THC
MC	TMC
HD	THD
HP	THP
MP	TMP

③Rated voltage code

Significant digit (two columns) + index (one column) unit : V_{dc}

Code	Rated voltage
160	16V _{dc}
250	25V _{dc}
500	50V _{dc}
101	100V _{dc}
201	200V _{dc}
251	250V _{dc}

④Temperature characteristics code

Code	Temp. character	Temp. Range	ΔC/C
E	E	-25 to 85°C	-55 to 20%
B	X7R	-55 to 125°C	±15%

⑤Rated capacitance code

Unit of capacitance with (pF), and a sign of capacitance expresses it in 3 characters.
significant digit (two columns) + index (one column) unit : pF
(Example 1μF=1000000pF)

⑥Capacitance tolerance code

Code	Tolerance
K	±10%
M	±20%
Z	-20 to +80%

⑦Size code

Type : Chip

Code	Dimensions (L×W)
21	2.0×1.25
31	3.2×1.6
32	3.2×2.5
43	4.5×3.2
55	5.7×5.0
76	7.5×6.3

Type : Radial Lead

Code	Dimensions (L×W)
32	5.0×6.5(6.0)
43	6.5×7.0(6.5, 7.5)
55	7.5(8.0)×9.0
76	10.0×11.5
80	13.5×15.0
90	22.5×20.0
99	28.5×20.0

Type : Metal Cap

Code	Dimensions (L×W)
43	4.8×3.5
55	6.0×5.0 (5.3)
76	7.8×6.6

⑧Terminal code

Type : Chip

Code	Terminal
N0	Tin plating
N1	Tin plating Excellent temp. cycle
R0	Silver
S0 *	Solder plating

Type : Radial Lead

Code	Terminal
A0	Straight Lead
B0	Crimped Lead
C0	Straight Lead (copper wire)

Type : Metal Cap

Code	Series	Elements	Terminal		
			Note	Plating	RoHS
BF	NTP	2	Size code 55	Tin	Compliant
5A	THP	2	Size code 43 and 55	Silver	Compliant
5B	THP	2	Size code 76	Silver	Compliant
5E	TMP	2	Spring mechanism	Silver	Compliant
2A *	THP	2	Size code 43 and 55	Solder	Non-compliant
2B *	THP	2	Size code 76	Solder	Non-compliant
2E *	TMP	2	Spring mechanism	Solder	Non-compliant

⑨Taping code

Code	Taping
T	Taping
B	In pieces

⑩Supplement code

Code	Supplement
00	Standard

* RoHS compliant types are recommended.