

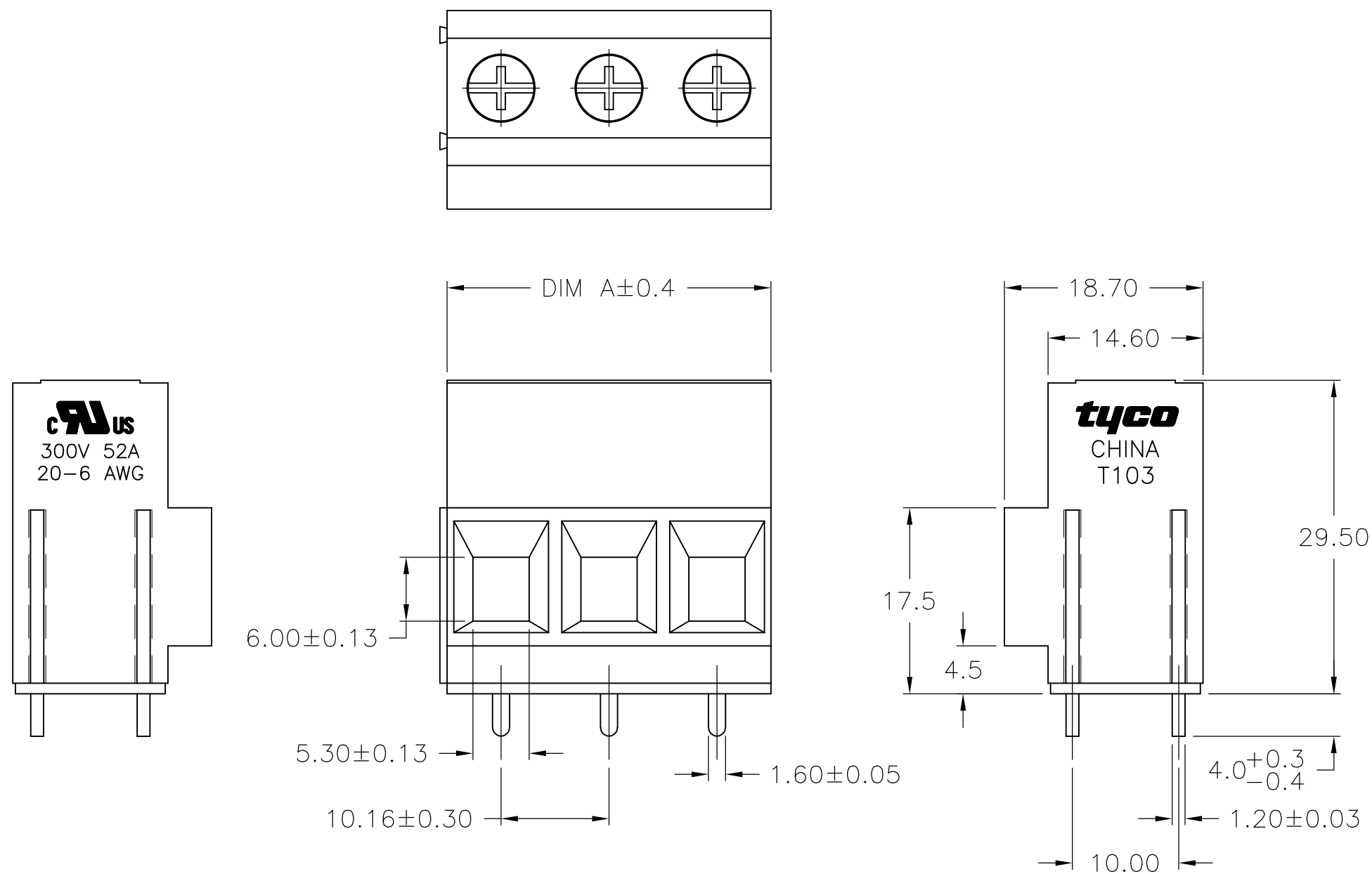
THIS DRAWING IS UNPUBLISHED. RELEASED FOR PUBLICATION
 © COPYRIGHT BY TYCO ELECTRONICS CORPORATION. ALL RIGHTS RESERVED.

LOC FT	DIST 0	REVISIONS			
P	LTR	DESCRIPTION	DATE	DWN	APVD
	B3	REVISED PER ECO-07-010274	5/3/07	SS	CR

MATERIAL:
 HOUSING: PA66, UL94V-0, COLOR: SEE TABLE
 PIN: BRASS, TIN PLATED
 WIRE GUARD: BRASS, NICKEL PLATED
 SCREWS: M4, STEEL, ZINC PLATED

ELECTRICAL:
 VOLTAGE RATING: 300V
 CURRENT RATING: 52A
 CONTACT RESISTANCE: 200mohm
 INSULATION RESISTANCE: 5000Mohm/1000V
 WITHSTANDING VOLTAGE: AC2000V/1 MIN
 WIRE RANGE: 6-8 STRANDED AND
 10-20 SOLID OR STRANDED

MECHANICAL:
 WORKING TEMP.: -40°C TO +105°C
 MAX SOLDERING: +250°C FOR 5 SEC.
 TIGHTENING TORQUE: 10.16 IN-LB



BLACK	30.48	3	1-1776886-3
BLACK	20.32	2	1-1776886-2
GREEN	30.48	3	1776886-3
GREEN	20.32	2	1776886-2
COLOR	DIM A	NO OF POS	PART NUMBER

THIS DRAWING IS A CONTROLLED DOCUMENT.		DWN S SCHLEGEL	25AUG2006	tyco Tyco Electronics Corporation	
DIMENSIONS: mm		CHK -	-	Harrisburg, PA 17105-3608	
TOLERANCES UNLESS OTHERWISE SPECIFIED:		APVD -	-	NAME	
0 PLC ± -		PRODUCT SPEC -	-	TERMINAL BLOCK, POWER CONNECTOR	
1 PLC ± 0.3		APPLICATION SPEC -	-	10.16 PITCH	
2 PLC ± 0.25		SIZE	CAGE CODE	DRAWING NO	RESTRICTED TO
3 PLC ± -		-	-	-	-
4 PLC ± -		WEIGHT	-	A300779	C-1776886
ANGLES ± -		CUSTOMER DRAWING			
FINISH		SCALE 2:1 SHEET 1 OF 1 REV B3			
-		-			