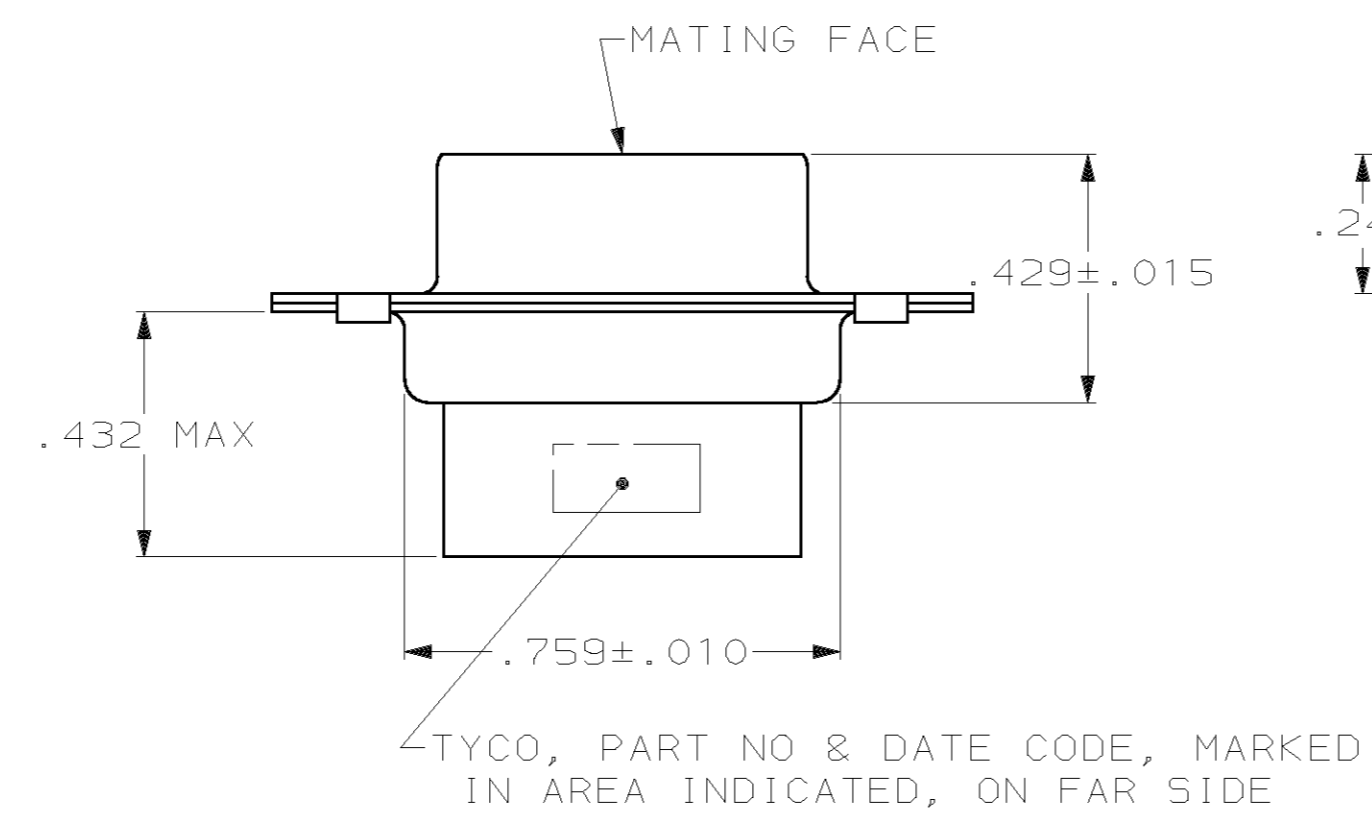
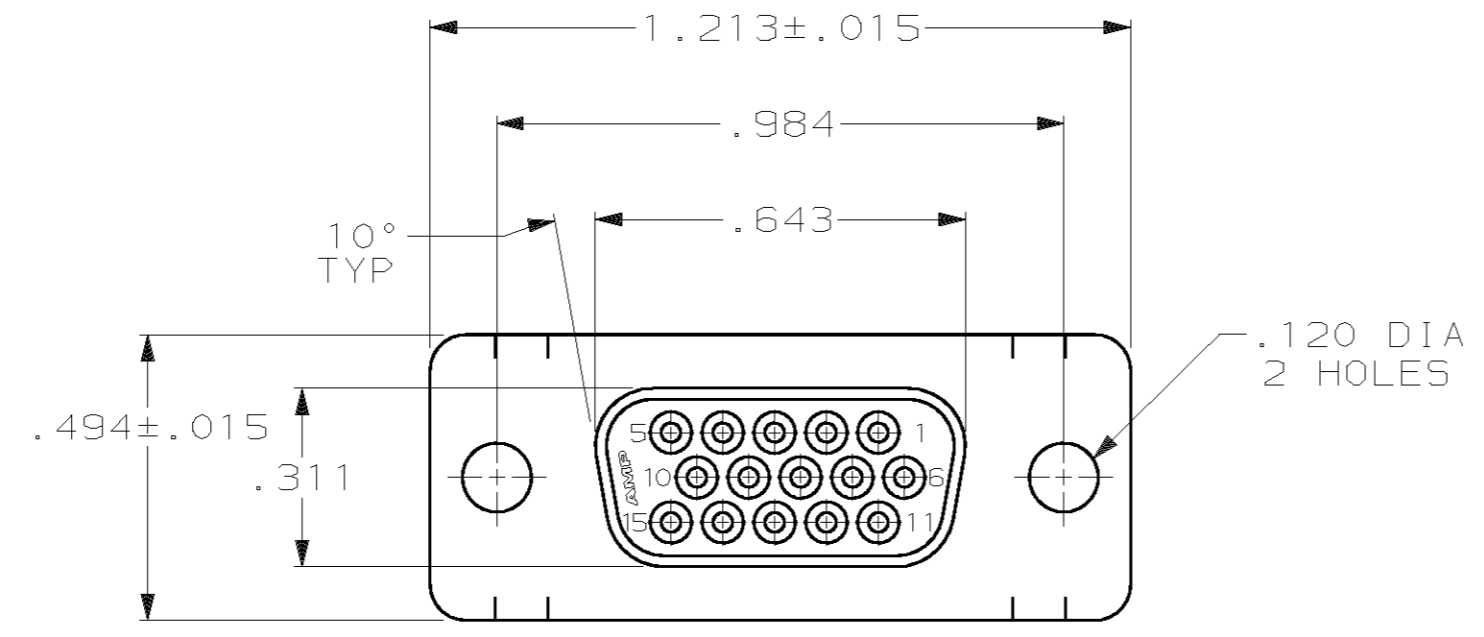


THIS DRAWING IS UNPUBLISHED. RELEASED FOR PUBLICATION
 BY AMP INCORPORATED, ALL RIGHTS RESERVED.

LOC		DIST		REVISIONS			
P	LTR	DESCRIPTION	DATE	DWN	APVD		
GP	00	A	REVISED PER EC 0513-0408-04	10NOV04	JG	JG	



- 1. CONNECTOR ACCEPTS 22 DF SOCKET CONTACTS, RETENTION TINES ARE AN INTEGRAL PART OF INSERT.
- 2. FLAME RETARDANT 94V-0 RATED GLASS FILLED NYLON, COLOR: BLACK.
- 3. CARBON STEEL
- 4. .000200 MIN TIN OVER .000100 MIN COPPER UNDERPLATE.

1658681-1
PART NUMBER

THIS DRAWING IS A CONTROLLED DOCUMENT.		DWN	02JAN04	AMP Incorporated Harrisburg, PA 17105-3608
DIMENSIONS: INCH		CHK	02JAN04	
TOLERANCES UNLESS OTHERWISE SPECIFIED: 0 PLC ±- 1 PLC ±- 2 PLC ±- 3 PLC ±.005 4 PLC ±- ANGLES ±2°		APVD	02JAN04	
MATERIAL MOLDDED PARTS: △ SHELLS: △		NAME	M. WALMSLEY	
		PRODUCT SPEC	108-1268	RECEPTACLE ASSEMBLY, SIZE 1, 15 POSN, HDP-22, AMPLIMITE®
FINISH SHELLS: △		APPLICATION SPEC	114-10001	SIZE CAGE CODE DRAWING NO RESTRICTED TO
CUSTOMER DRAWING		WEIGHT	-	A2 00779 C- 1658681
		SCALE	3:1	SHEET 1 OF 1 REV A