

4

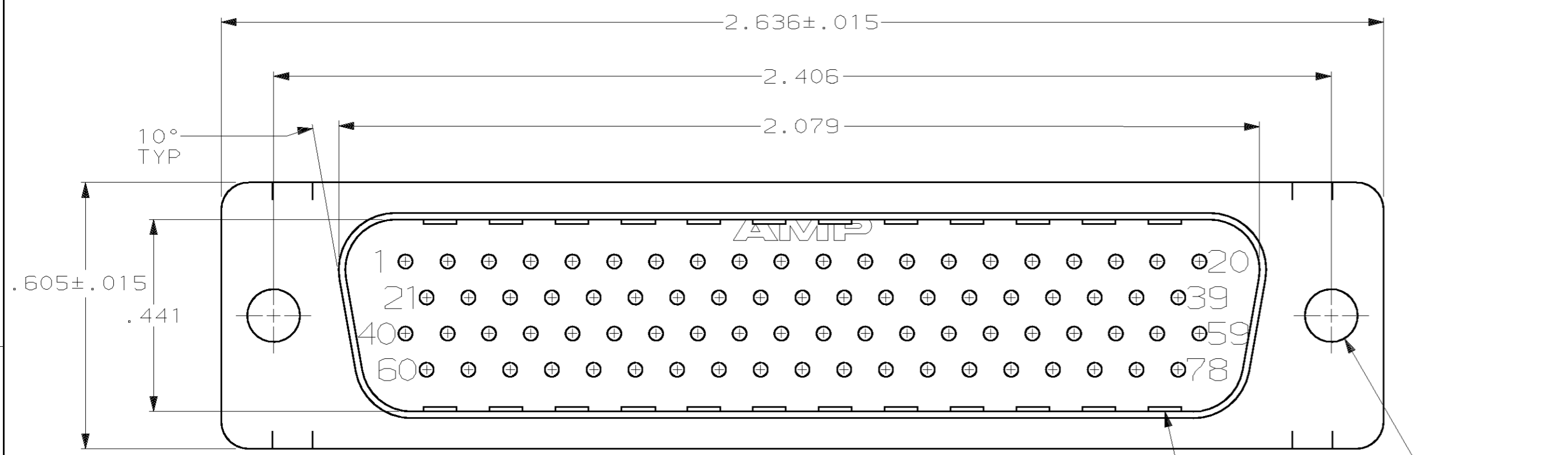
3

2

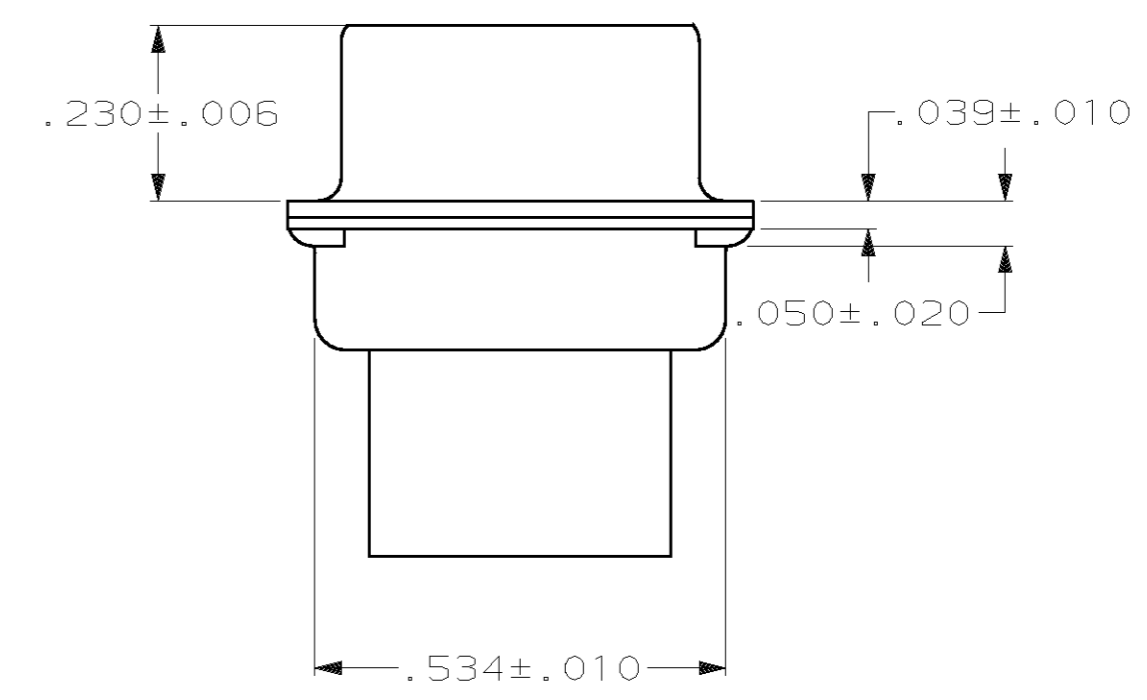
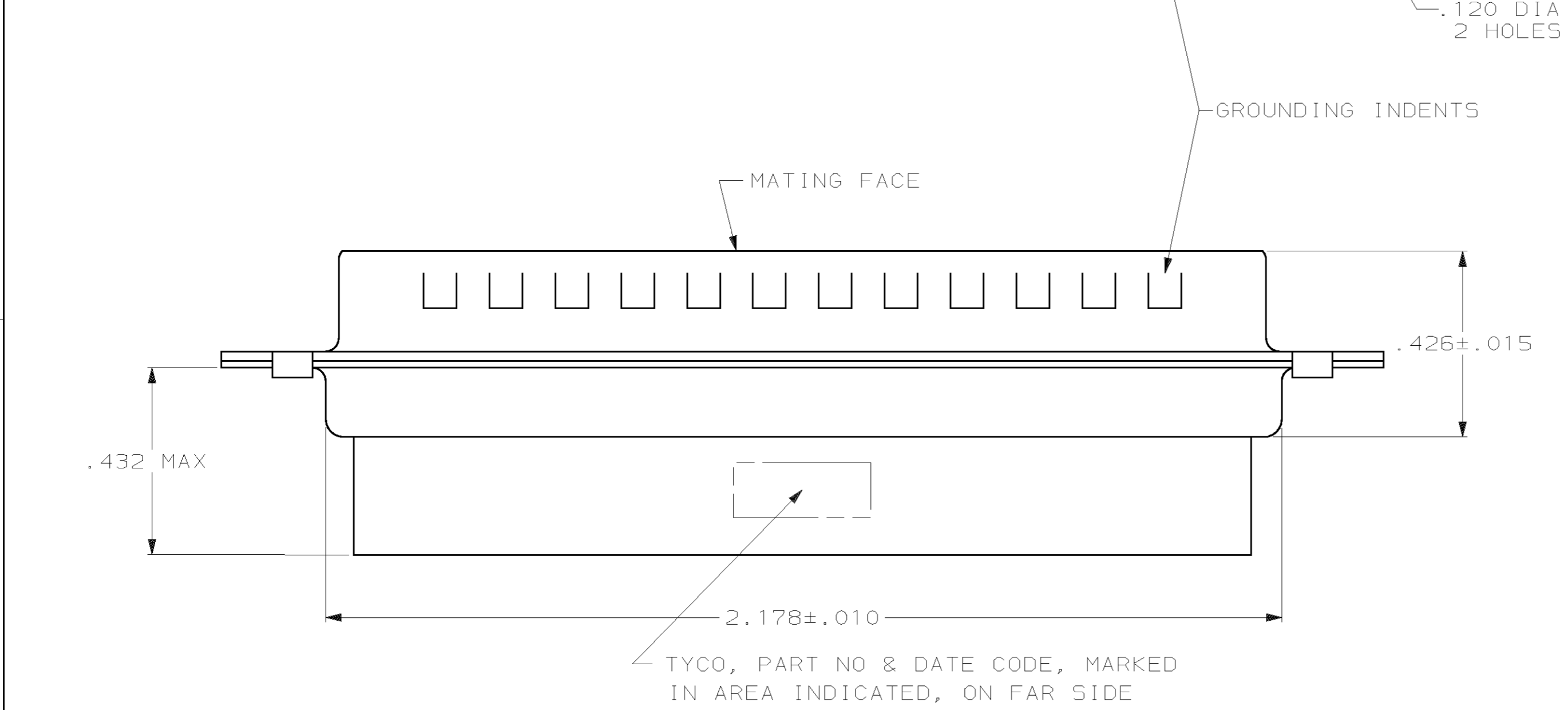
1

THIS DRAWING IS UNPUBLISHED. RELEASED FOR PUBLICATION
 (C) COPYRIGHT 19 BY AMP INCORPORATED. ALL RIGHTS RESERVED.

LOC	DIST	REVISIONS					
GP	00	P	LTR	DESCRIPTION	DATE	DWN	APVD
		0		RELEASED PER EC 0513-0209-03	02JAN04	LB	5B



- CONNECTOR ACCEPTS 22 DF PIN CONTACTS, RETENTION TINES ARE AN INTEGRAL PART OF INSERT.
- FLAME RETARDANT 94V-0 RATED GLASS FILLED NYLON, COLOR: BLACK.
- CARBON STEEL.
- .000200 MIN. TIN PLATE OVER .000100 MIN. COPPER UNDERPLATE.



1658674-1
PART NUMBER

THIS DRAWING IS A CONTROLLED DOCUMENT.		DWN L. BAUM 02JAN04	AMP Incorporated Harrisburg, PA 17105-3608	
DIMENSIONS: INCH		CHK S. BOLASH 02JAN04	NAME PLUG ASSEMBLY, SIZE 5, 78 POSN, HDP-22, AMPLIMITE®	
TOLERANCES UNLESS OTHERWISE SPECIFIED:		APVD M. WALMSLEY 02JAN04	PRODUCT SPEC 108-1268	
0 PLC ± 1 PLC ± 2 PLC ± 3 PLC ±.005 4 PLC ± ANGLES ±2°		APPLICATION SPEC 114-10001	SIZE A2	CAGE CODE 00779
MATERIAL MOLDED PARTS: △	FINISH SHELLS: △	WEIGHT -	DRAWING NO 1658674	RESTRICTED TO -
SHELLS: △		CUSTOMER DRAWING		SCALE 4:1 SHEET 1 OF 1 REV 0