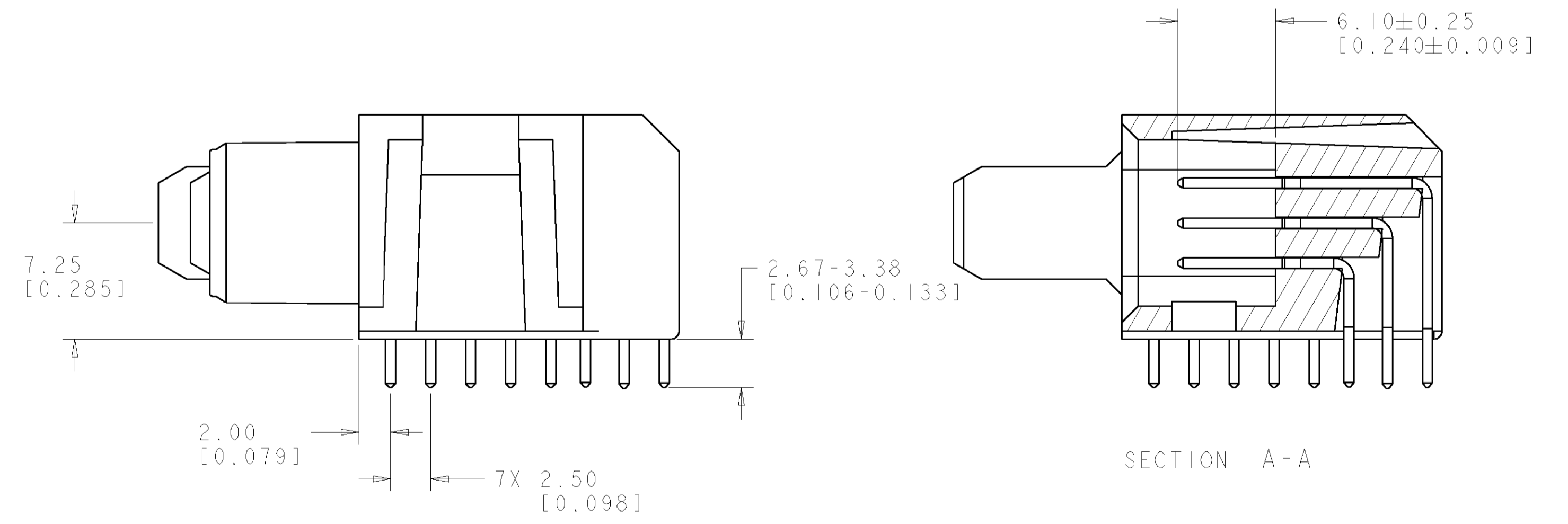
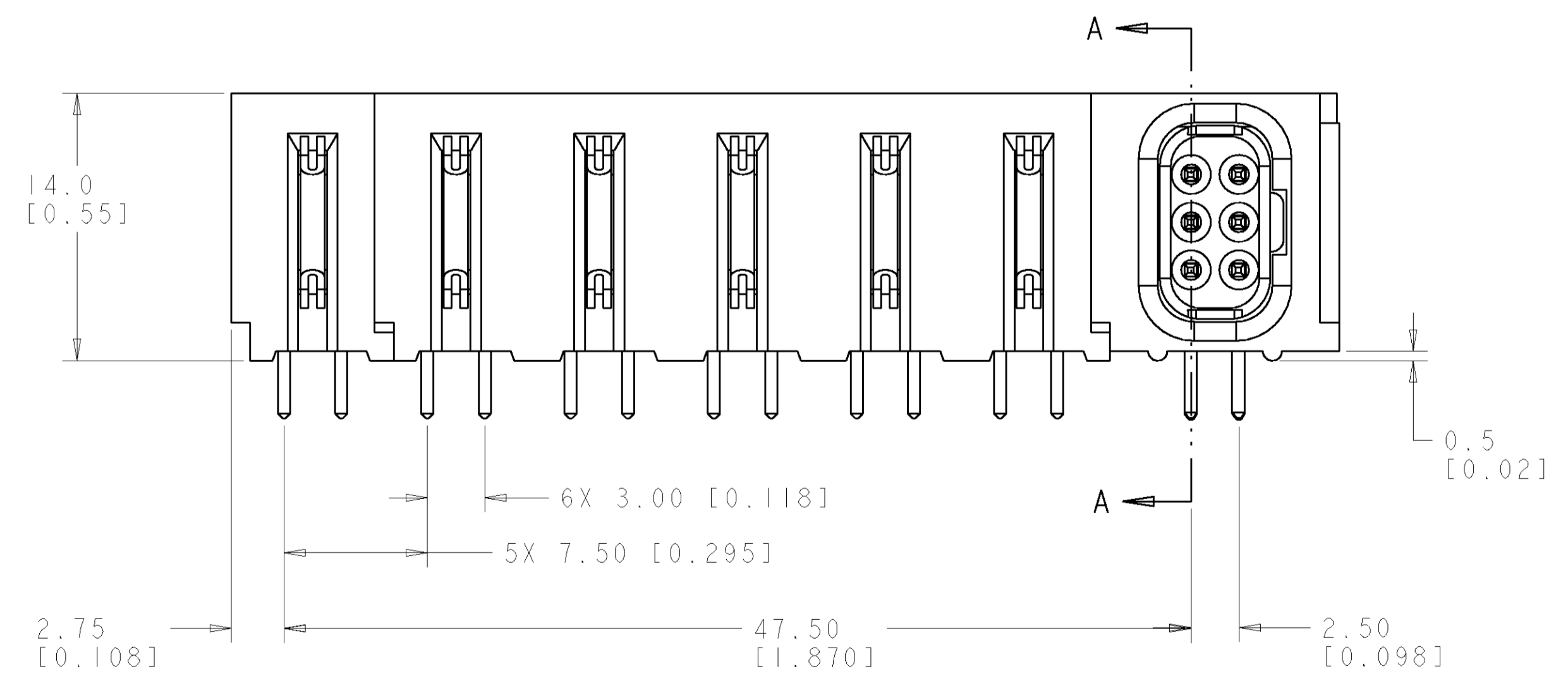
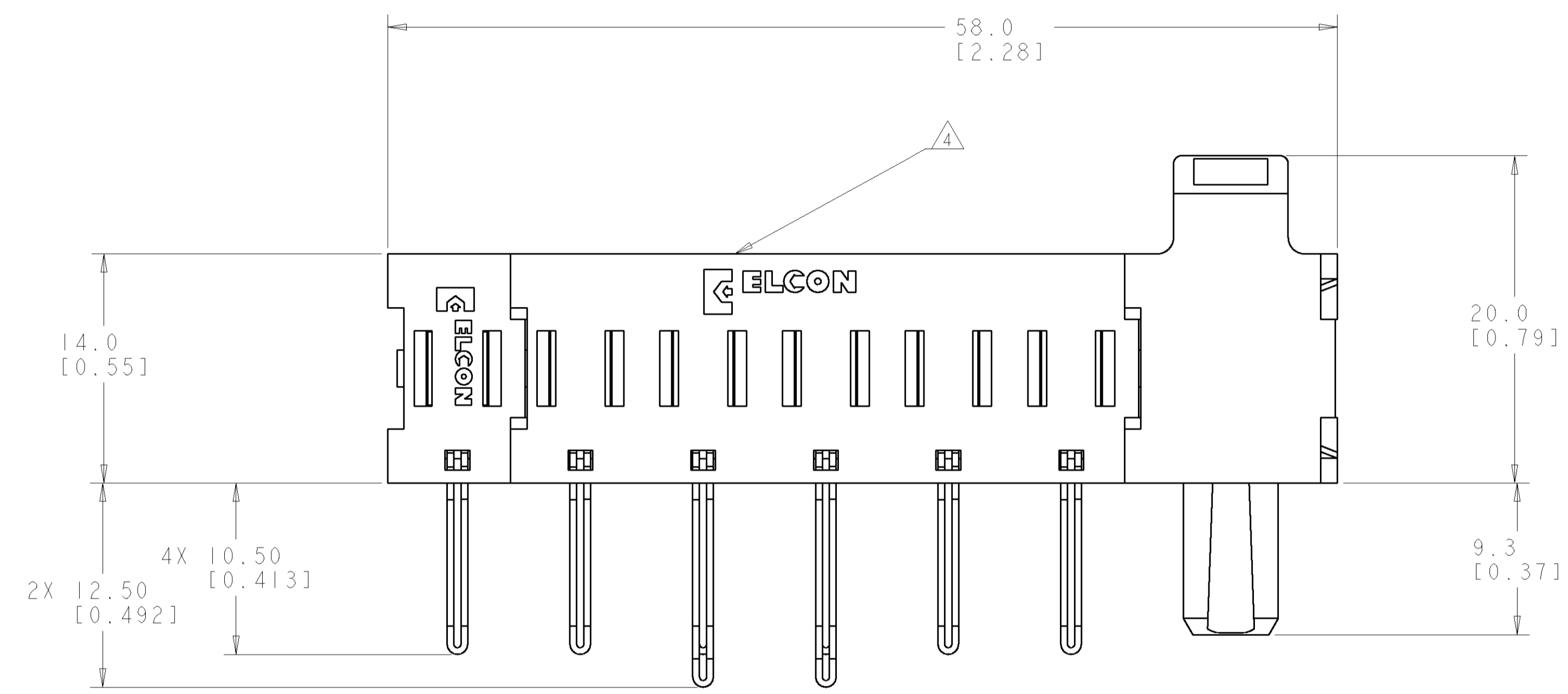


LOC		DIST		REVISONS			
GP	00	P	LTR	DESCRIPTION	DATE	DWN	APVD
		A		NEW RELEASE	09JUL2007	RG	PD

- PART NUMBER CHANGES AND OR DESIGN CHANGES AFFECTING ITEM INTERCHANGEABILITY REQUIRE PRIOR TYCO ELECTRONICS APPROVAL AND AUTHORIZATION BY REVISION TO THIS DRAWING.
- MATERIAL:
 - INSULATORS - THERMOPLASTIC, GLASS REINFORCED, COLOR: BLACK, UL94V-0 FLAMMABILITY RATED.
 - SIGNAL CONTACTS: PHOSPHOR BRONZE ALLOY
 - POWER CONTACTS - PHOSPHOR BRONZE ALLOY, COPPER ALLOY
 - CROWN BANDS: BERYLLIUM COPPER ALLOY
- FINISH:
 - CONTACTS - GOLD PLATE 0.76µm MIN. THK., OVER NICKEL 1.27µm MIN. THK.
 - SOLDER TAILS, TIN/LEAD 3.05µm MIN. THK. OVER NICKEL 1.27µm MIN. THK.

△ ITEMS PROVIDED TO THIS SPECIFICATION TO BE PERMANENTLY IDENTIFIED PER THE FOLLOWING IDENTIFIER LABEL

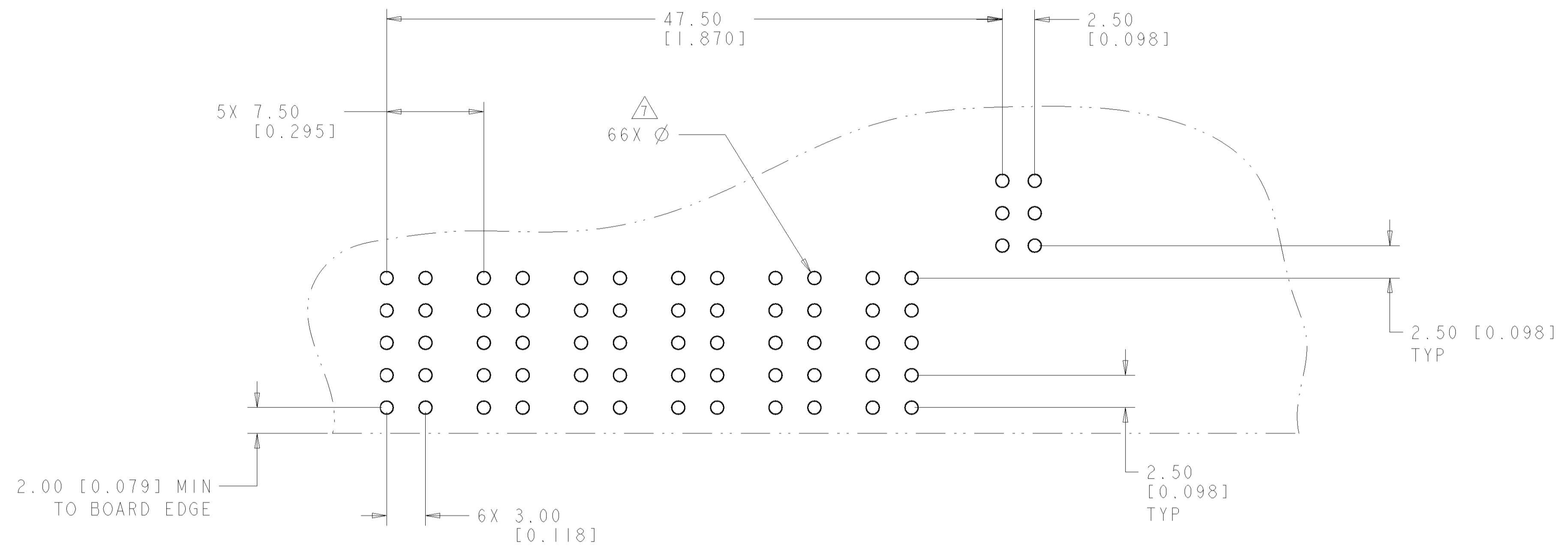
TYCO ELECTRONICS P/N DATE CODE YEAR WEEK
 XXXXXXXX-X XXXX (e.g. 0106)



ELCON FLATPAQ

AS SHOWN		1651678-1	
DESCRIPTION		PART NUMBER	
Tyco Electronics		Tyco Electronics Harrisburg, PA 17105-3608	
DWN: R. GRZYBOWSKI 09JULY07		NAME: PIN CONNECTOR ASSEMBLY	
CHK: P. DAMATO 09JULY07		RIGHT ANGLE	
APVD: S. FLICKINGER 09JULY07		SOLDER TAILS	
PRODUCT SPEC: -		SIZE: A 00779 C=1651678	
APPLICATION SPEC: -		RESTRICTED TO: -	
MATERIAL: -		WEIGHT: -	
FINISH: -		CUSTOMER DRAWING	
DIMENSIONS: mm [INCHES]		SCALE: 4:1	
TOLERANCES UNLESS OTHERWISE SPECIFIED:		SHEET 1 OF 3	
0 PLC ±.5 [0.020]		REV A	
1 PLC ±.5 [0.020]			
2 PLC ±.25 [0.010]			
3 PLC ±.25 [0.010]			
4 PLC ±.25 [0.010]			
ANGLES ±.5			

LOC	DIST	REVISIONS			
P	LTR	DESCRIPTION	DATE	DRN	APVD
-	-	SEE SHEET 1	-	-	-



PRINTED CIRCUIT LAYOUT
 COMPONENT SIDE

CONNECTOR	CATALOG MODULE #	QTY	SIZE NO.	CONTACT QTY	MATING PIN	MAX. CURRENT (PER CONTACT)	CONTACT SPACING	VOLTAGE RATING
	FP315	1	22	6	.64 [0.025] SQ.	3 amps	2.50 [0.0984]	125
	FPI52	2	8	2	1.25 X 7.00 [0.049 X .276]	35 amps	7.50 [0.2953]	250
	FPI51	4	8	4	1.25 X 7.00 [0.049 X .276]	35 amps	7.50 [0.2953]	250

ELCON FLATPAQ

DIMENSIONS: mm [INCHES]
 TOLERANCES UNLESS OTHERWISE SPECIFIED:
 0 PLC ±.5 [0.020]
 1 PLC ±.5 [0.020]
 2 PLC ±.25 [0.010]
 3 PLC ±.25 [0.010]
 4 PLC ±.25 [0.010]
 ANGLES ±.5

MATERIAL: -
 FINISH: -

DWN: B. GRZYBOWSKI 09JULY07
 CHK: P. DAMATO 09JULY07
 APVD: S. FLICKINGER 09JULY07

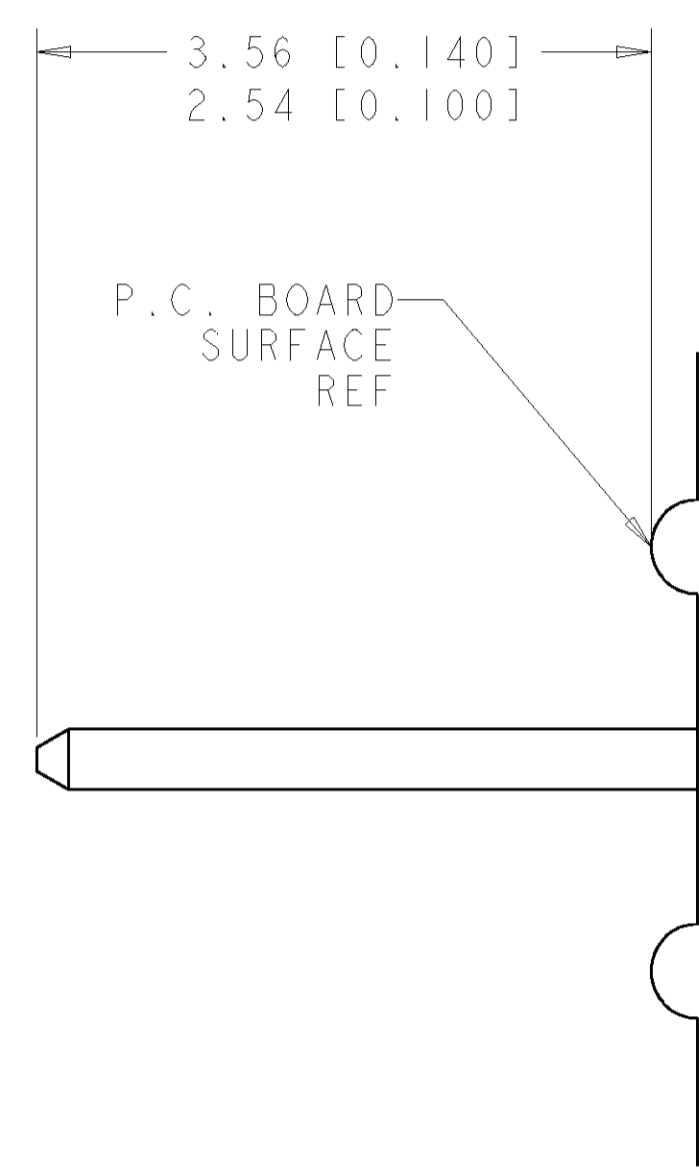
Tyco Electronics
 Harrisburg, PA 17105-3608

NAME: PIN CONNECTOR ASSEMBLY
 RIGHT ANGLE
 SOLDER TAILS

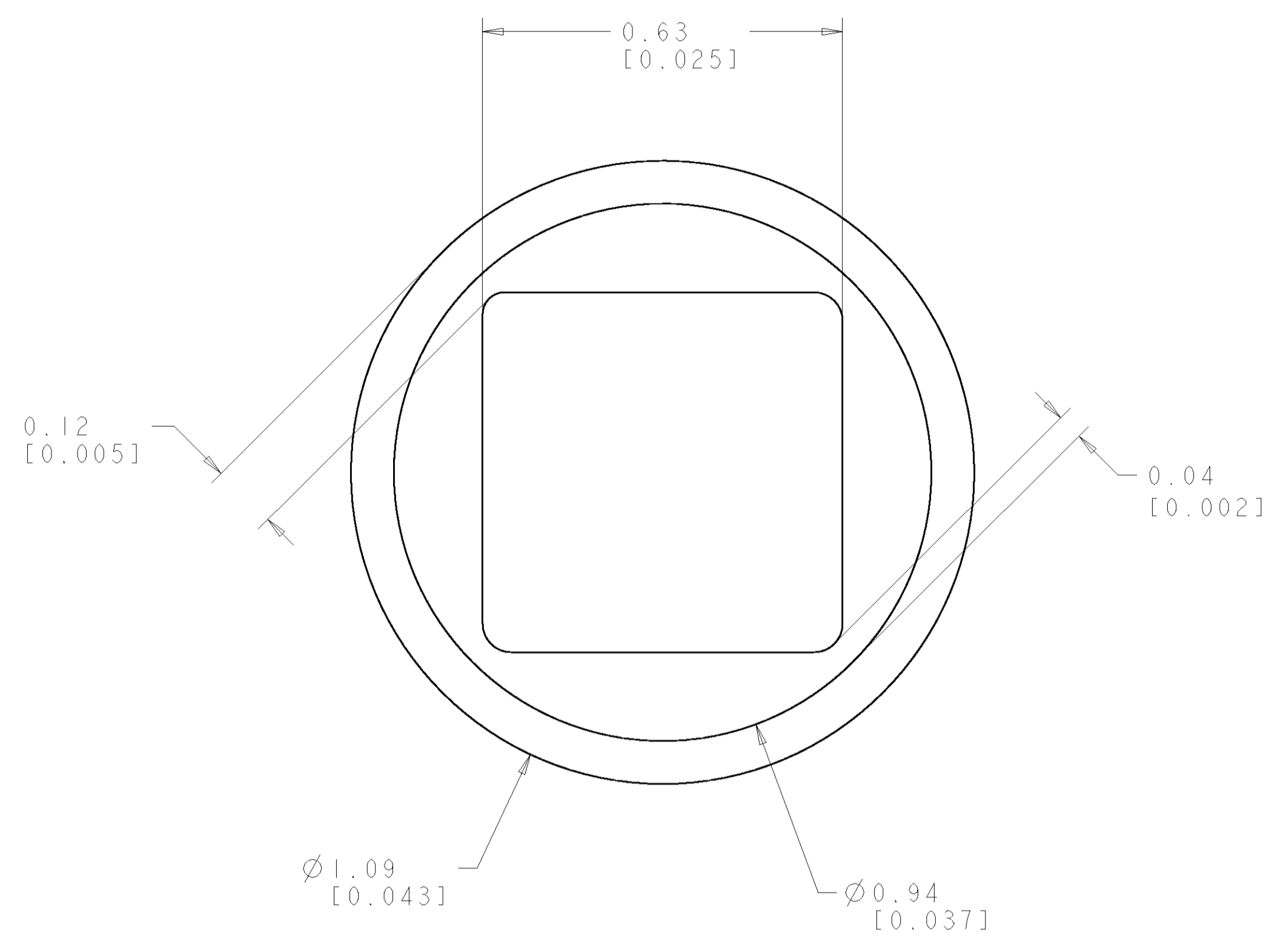
SIZE: A | 00779 | C=1651678
 SCALE: 4:1 SHEET 2 OF 3 REV A

CUSTOMER DRAWING

LOC	DIST	REVISIONS					
GP	00	P	LTR	DESCRIPTION	DATE	DWN	APVD
-	-	-	-	SEE SHEET 1	-	-	-



5. SOLDER PIN DETAIL
SCALE 10 : 1



6. SOLDER TERMINATION AREA
 SCALE 40:1
 RECOMMENDED PRINTED CIRCUIT HOLE
 FINISHED HOLE: Ø1.02 [0.040] ±.08 [0.003]
 DRILLED HOLE: Ø1.15 [0.0453] ±.013 [0.0005]
 COPPER PLATE: .025 [0.0010] MIN (PER SURFACE)
 TIN PLATE: .008 [0.0003] MIN. (PER SURFACE)

<small>THIS DRAWING IS UNPUBLISHED. RELEASED FOR PUBLICATION. ALL RIGHTS RESERVED. THIS DRAWING IS THE PROPERTY OF TYCO ELECTRONICS CORPORATION. IT IS TO BE USED ONLY FOR THE PURPOSES AND ORGANIZATION SPECIFIED BY THE CUSTOMER. NO PARTS OF THIS DRAWING ARE TO BE REPRODUCED OR TRANSMITTED IN ANY FORM OR BY ANY MEANS, ELECTRONIC OR MECHANICAL, WITHOUT PERMISSION IN WRITING FROM TYCO ELECTRONICS CORPORATION.</small>		DWN R. GRZYBOWSKI 09JULY07 CHK P. DAMATO 09JULY07 APVD S. FLICKINGER 09JULY07	Tyco Electronics Harrisburg, PA 17105-3608
DIMENSIONS: mm [INCHES]	TOLERANCES UNLESS OTHERWISE SPECIFIED: 0 PLC ±. 1 PLC ±.5 [0.020] 2 PLC ±.25 [0.010] 3 PLC ±. 4 PLC ±. ANGLES ± 5 FINISH	NAME PRODUCT SPEC APPLICATION SPEC	PIN CONNECTOR ASSEMBLY RIGHT ANGLE SOLDER TAILS
MATERIAL	FINISH	WEIGHT	RESTRICTED TO
-	-	-	-
CUSTOMER DRAWING		SCALE 4:1	SHEET 3 OF 3 REV A